

To all Customers

Date 27 June 2023

Product change Murrelektronik material number 7000-29521-000000

Dear valued Customer,

We would like to inform you about a product change of the Field-Wireable Valve Connector (SVS) 7000-29521-000000. On the one hand we had to reduce the rated impulse voltage from 4kV to 2.5kV due to CE requirements and on the other hand the existing M16x1.5mm plastic gland (**pressure screw**) will be replaced by an improved, but in the dimensions longer M16x1.5mm plastic gland (**cable gland**). The cable clamping range remains unchanged from 5mm to 10mm.

The changeover takes place during the ongoing production process. We still have stock goods with the previous pressure screw. From now on, valve plugs with cable gland will be delivered to stock, so that it may well come to a mixed delivery.

Current delivery state:

TECHNISCHE SKIZZE / Technical sketch

Kunststoffverschraubung M16x1,5 mm
cable screwed locking M16x1.5 mm

Bezeichnungsschild
Label plate

Bedruckung z.B.
Imprint e.g.

MURR ELEKTRONIK
7000-29521
Made in China
24...230V AC/DC

Flachkopfschraube
flathead screw

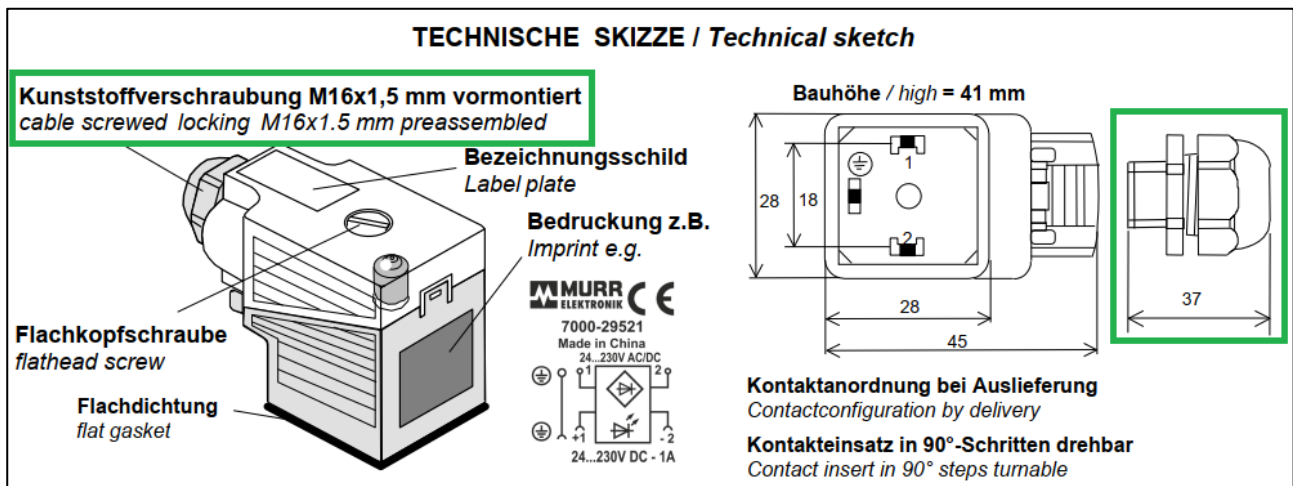
Flachdichtung
flat gasket

Bauhöhe / high = 41 mm

Kontaktanordnung bei Auslieferung
Contact configuration by delivery

Kontakteinsatz in 90°-Schritten drehbar
Contact insert in 90° steps turnable

Delivery state after the product change:



Please forward this important information to your customers. Also, please inform your purchasing, development and product departments and other responsible persons of this change.

With best regards,
 Murrelektronik GmbH

Product Management