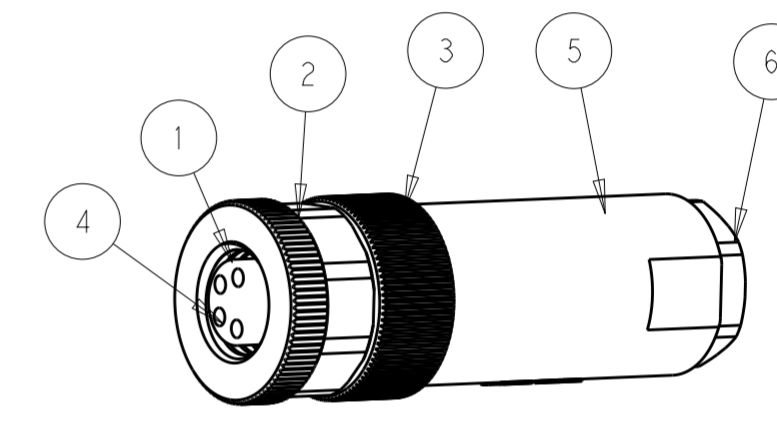
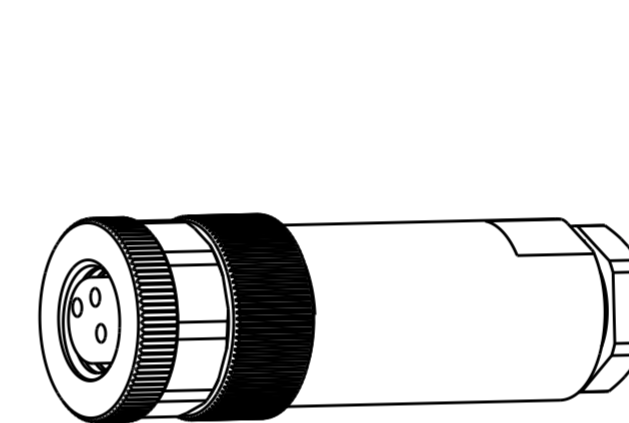
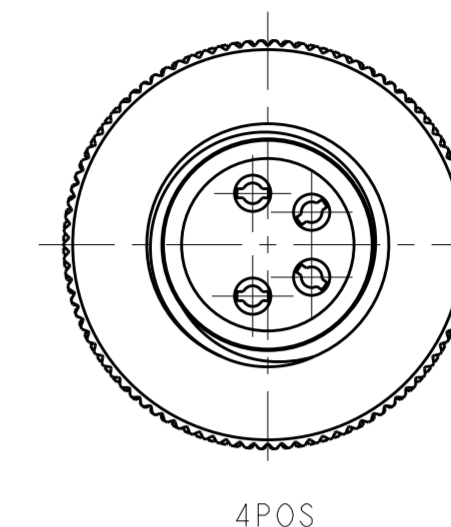
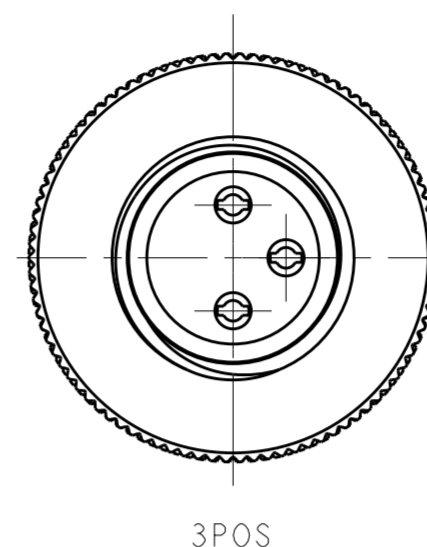
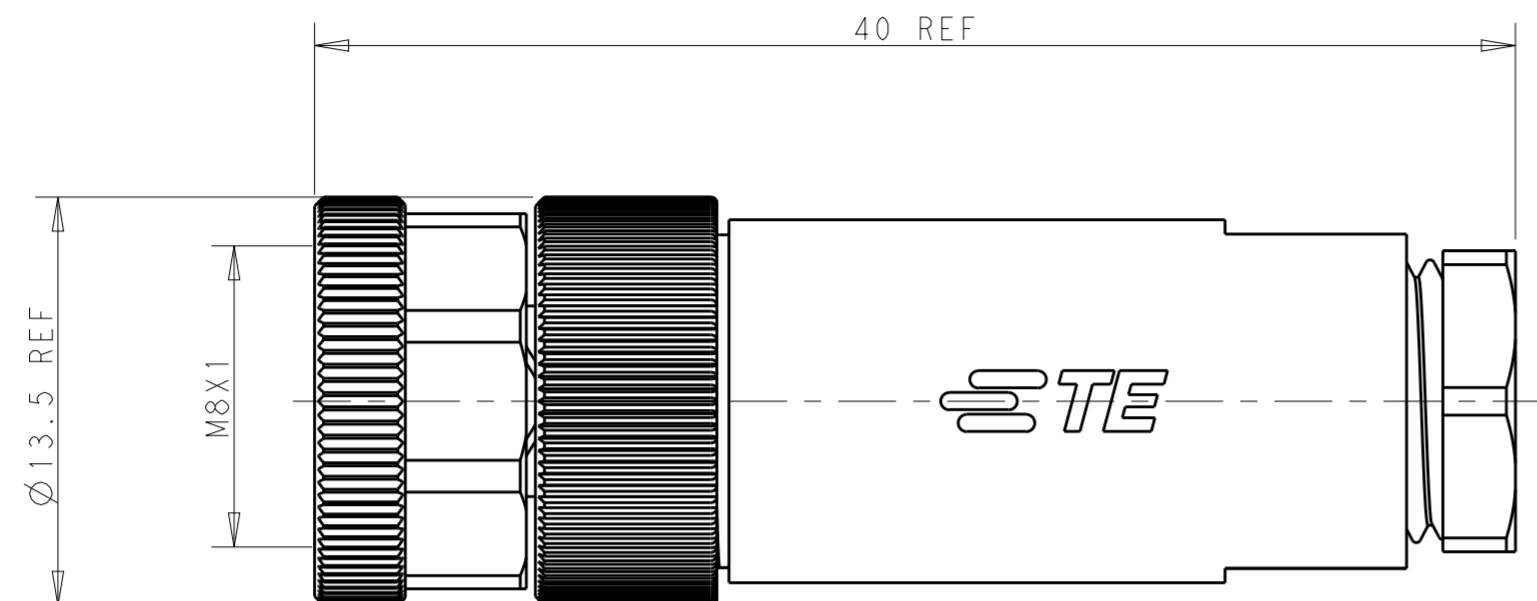


THIS DRAWING IS UNPUBLISHED. RELEASED FOR PUBLICATION 20  
 COPYRIGHT 20 BY ALL RIGHTS RESERVED.

REVISIONS					
P	LTR	DESCRIPTION	DATE	DWN	APVD
A		INITIAL RELEASED	11APR2016	L.Z	X.X
B		EC-16-011351 NEW REVISE	01JUL2016	L.Z	X.X
B1		REVISED PER ECR-16-012993	18SEP2016	L.Z	X.X



OPERATION TEMPERATURE	-40~85°C	-40~85°C
DEGREE OF PROTECTION	IP67	IP67
INSULATION RESISTANCE	>100MΩ	>100MΩ
RATED IMPULSE VOLTAGE	800V	1500V
MATERIAL GROUP	II	II
OVERVOLTAGE CATEGOYR	II	II
POLLUTION DEGREE	3	3
RATED CURRENT	3A	3A
RATED VOLTAGE	30V	60V
TECHNICAL DATA	T401000804X-000	T401000803X-000

- NOTES;  
 1.PARTS MATERIAL DATA:SEE TABLE  
 2.CONTACT FINISH:  
 GOLD OVER NICKEL OR SILVER OVER NICKEL  
 3.CABLE WIRES:  
 26AWG/0.14mm<sup>2</sup> Max & 24AWG/0.25mm<sup>2</sup> Max  
 4.ALL DIMENSIONS ARE FOR NOMINAL REFERENCE ONLY UNLESS OTHERWISE STATE  
 5.PACKAGIN: 1 PIECE IN A BAG  
 6.PN INFORMATION FOR ASSEMBLY PARTS  
 T401000XXXX-000

- CONTACT FINISH:  
 1:GOLD OVER NICKEL  
 2:SILVER OVER NICKEL  
 NUMBERS OFFPINS:  
 03:3 PINS  
 04:4 PINS  
 ...  
 CABLE OUTLET:  
 8:PLASTIC(CABLE FEED:3.5~4.8mm)  
 9:METAL(CABLE FEED:3.5~5.0mm)  
 ...

- 注意事项;  
 1.零件材料参见附表  
 2.表面处理:镀金或镀银  
 3.适用线材:26AWG/0.14mm<sup>2</sup> Max & 24AWG/0.25mm<sup>2</sup> Max  
 4.所有尺寸标注为基本参考,除非其它说明  
 5.包装:每BAG装1PC  
 6.料号数字代码参考上表

TE PN		TYPE		OBSELETE	OBSELETE
T4010008042-000	RPC-M8-FS-4CON-PG7-M			OBSELETE	OBSELETE
T4010008041-000	RPC-M8-FS-4CON-PG7-MU				
T4010008032-000	RPC-M8-FS-3CON-PG7-M			OBSELETE	OBSELETE
T4010008031-000	RPC-M8-FS-3CON-PG7-MU				
COMMENT	MATERIAL	DESCRIPTION	ITEM		
-	PBT	PRESS SCREW	6	1	1
-	PBT	STRAIGHT PLASTIC HOUSING	5	1	1
SILVER 80U"	BRASS	M8 SCTREW ASSY REC TERMINAL	4	4	3
GOLD 3U"				4	3
NICKEL 80U"	BRASS	M8 SCREW ASSY OUT SCREW	3	1	1
NICKEL 80U"	BRASS	M8,FEMALE INSERT NUT	2	1	1
BLACK	PA	M8,FEMALE HSG,A CODE,4PIN	1	1	-
		M8,FEMALE HSG,A CODE,3PIN		-	1
				4	4
				0	0
				0	0
				0	0
				0	0
				0	0
				8	8
				0	0
				0	0
				4	3
				2	1
				0	0
				0	0
				0	0
				0	0

THIS DRAWING IS A CONTROLLED DOCUMENT.		DWN	12APR2016		
DIMENSIONS: mm TOLERANCES UNLESS OTHERWISE SPECIFIED: 0 PLC ± 1 PLC ±0.20 2 PLC ±0.20 3 PLC ±0.20 4 PLC ± ANGLES ± FINISH -	CHK	LEAR ZHANG			
	CHK	KOBBY ZHAO			
	APVD	XU XIANG			
	PRODUCT SPEC	108-106140			
MATERIAL	APPLICATION SPEC	114-137144-1	NAME M8 FEMALE SCREW ASSY STRAIGHT UNSHIELDING CONNECTOR		
	WEIGHT		SIZE	CAGE CODE	DRAWING NO
			A2		G-T40100080XX000
	CUSTOMER DRAWING	SCALE 2:1		SHEET 1 OF 1	REV B1