

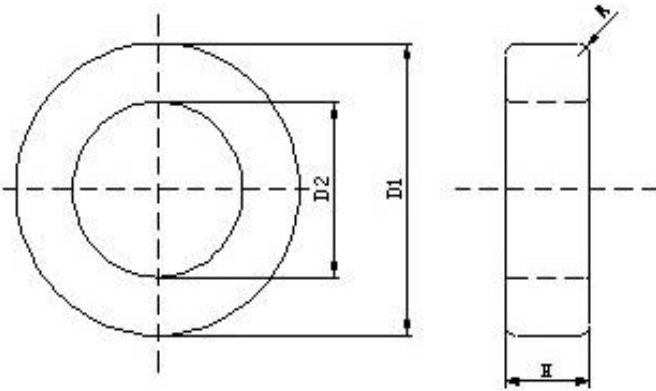
CUSTOMER ELTECH Ltd.DATE 2016-2-20

SPECIFICATION FOR APPROVAL

CUSTOMER P/N	FW44-T20/12/6 COATED
FERRIWO P/N	FW44-T20/12/6 COATED
SPEC.NO.	FSN160220ABE
CORE SHAPE	

APPROVED BY:

1. DIMENSIONS (mm)

	DIMENSIONS(mm)	
	BEFORE COATING	
D1	20.0±0.50	
D2	12.0±0.40	
H	6.0±0.30	
AFTER COATING		
D1	21.0MAX	
D2	11.0 MIN	
H	7.0MAX	

CORE PARAMETERS	
Effective Length L_e	48.14mm
Effective Cross Area A_e	23.48mm ²
Effective Volume V_e	1130.6mm ³
Approx. Weight W	5.79g/Prs

Item:	P/N:	SPEC. /N
FERRITE CORE	FW44-T20/12/6 COATED	FSN160220ABE

2. ELECTRICAL CHARACTERISTICS

ITEMS	SPEC	TESTING METHOD	TESTING INSTRUMENT
INDUCTANCE	AL=1380nH/N ² ±25%	1KHz,0.25V; 25±3℃	HP4284A

3.MATERIAL CHARACTERISTICS

MATERIAL: FW44

CHARACTERISTICS		UNIT	VALUE
INITIAL PERMEABILITY	μ_i	—	2400±25%
SATURATION MAGNETIC FLUX DENSITY (H=1194A/m)	Bs	mT (25/100℃)	500
			390
REMANENT FLUX DENSITY	Br	MT (25℃)	110
COERCIVE FORCE	Hc	A/m (25℃)	13
Power Loss PV(KW/m ³)			100KHz,200mT
	25℃		600
	100℃		300
CURIE TEMP.	Tc	℃	>215
ELECTRICAL RESISTIVITY	ρ	Ω	6.5
DENSITY	d	kg/m ³	4.8×10 ³
Item:	P/N:	SPEC. /N	
FERRITE CORE	FW44-T20/12/6 COATED	FSN160220ABE	

4. Maximum chip off:

a.

The depth of crack in the ground surface should be no more than 0.3mm, length is no more than 1/4 length of lengthen line. In the non-ground surface, the depth should be no more than 0.5mm length is no more than 1/3 length of lengthen line.

b. 对于磁芯的外观检验方面，执行如下标准规格：

		接合面	其他表面
破损	1 处破损的面积	≤1.7mm ²	≤3.0mm ²
	2 处以上破损面积的合计	≤3.0mm ²	≤8.0mm ²
	破损深度	≤1.7mm	≤3.0mm
其他	实际使用中无有害毛刺，裂纹，气孔等		

5. (Inspection Method) :

According to GB/T2828.1-2003.one time normal random sampling,Inspect level II ,AQL.should be as follows;

	AQL	Inspect Item
A	0.65	Electromagnetic Property
B	1.0	Outside Size
C	1.5	Outside Quality

6.Packing:

plastic sack is used to inside packing,paper box is used to outside packing,Qualify Certification is attached on every box,including Item (Product name or type),Quantity,Lot No.and Tester.

6.2.QTTY in carton

Item	(PRS/CTN)	Remark
FW44-T20/12/6 COATED		

Item:	P/N:	SPEC./N
FERRITE CORE	FW44-T20/12/6 COATED	FSN160220ABE