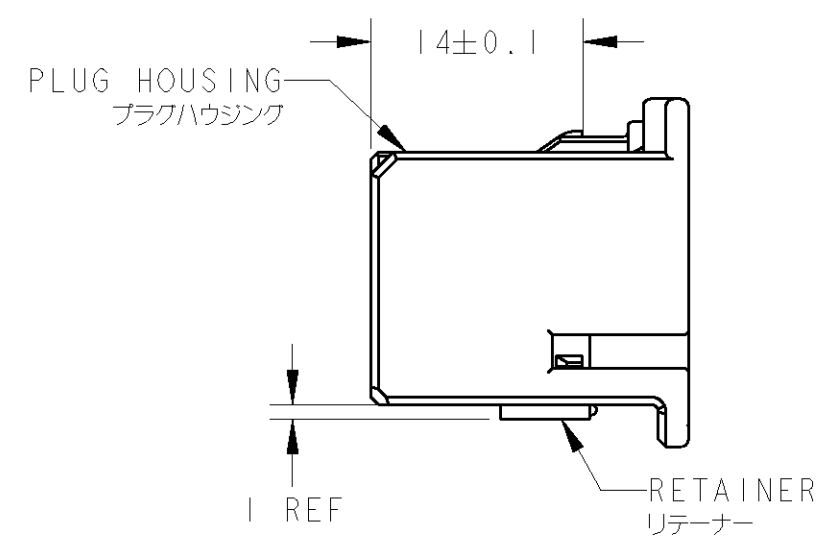
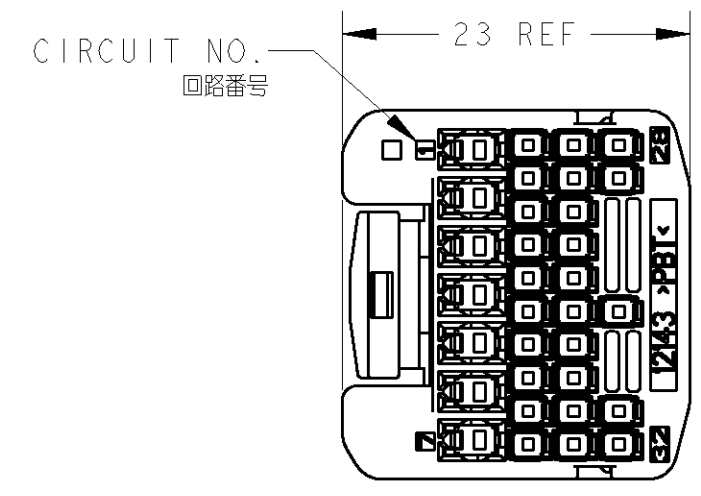
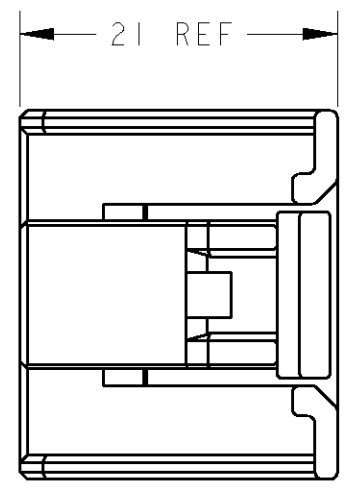
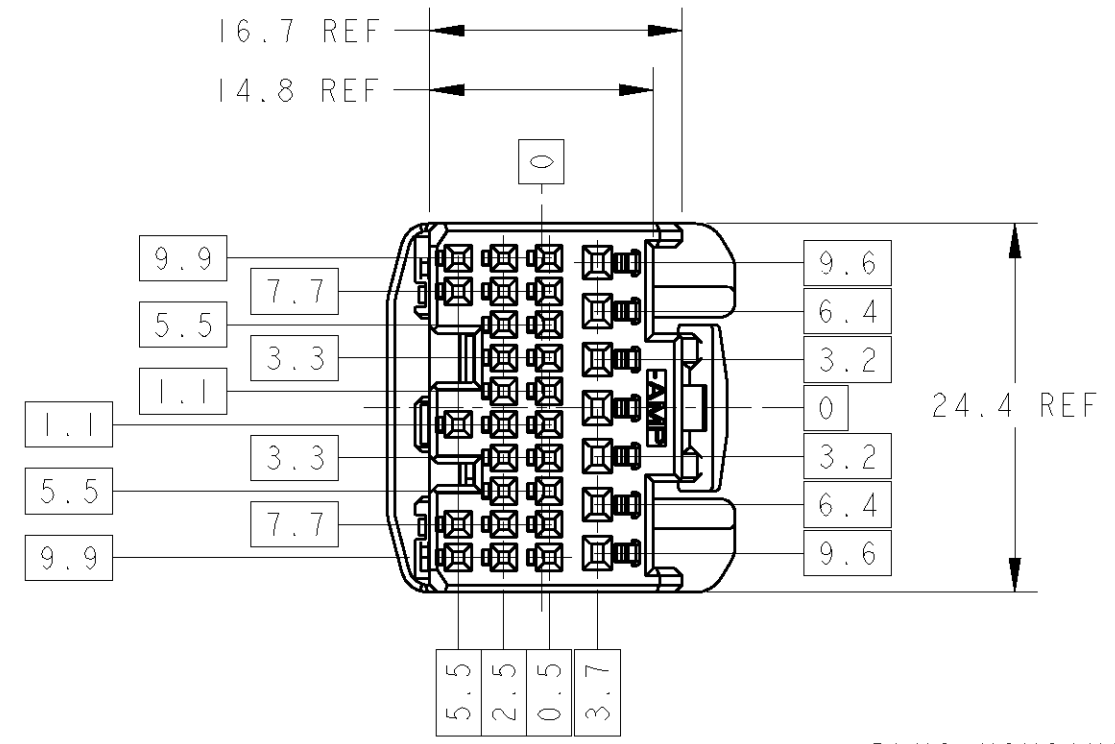


THIS DRAWING IS UNPUBLISHED. RELEASED FOR PUBLICATION 20
 © COPYRIGHT 20 BY TYCO ELECTRONICS CORPORATION. ALL RIGHTS RESERVED.

| LOC | DIST | REVISIONS | | | | | | |
|-----|------|-----------|-----|------------------|--------------|---------|-----|------|
| | | P | LTR | DESCRIPTION | ECN | DATE | DWN | APVD |
| J | | | 01 | REDRAWN W/CHANGE | FJ00-0875-02 | 26APR02 | TS | HY |
| | | | A | REVISED | FJA0-0626-03 | 19JAN04 | YM | HY |



1. RETAINER SHOULD BE SENT TO THE PRE-ASSEMBLY POSITION WITHIN THE PLUG HOUSING WHEN SHIPPED TO THE CUSTOMER.
 2. THE PRE-RETENTION LATCH OF THE RETAINER MUST BE OUT SIDE OF PLUG HOUSING WHEN PRE-ASSEMBLY.
 3. RETAINER RETENTION FORCE FROM HOUSING: 30N MIN.
 4. INSTRUCTION SHEET NO. 411-5932.
 5. PART NUMBER OF CAP HOUSING TO BE MATED: SEE TABLE-1
 6. APPLIED TERMINALS: SEE TABLE-2
- △ RETAINER IS THE SAME COLOR AS HOUSING.

1. プラグハウジングにリテーナを仮係止して出荷される。
 2. 仮係止時、リテーナー突起がハウジングの外側に出ていること。
 3. リテーナーの仮係止保持力は、30N 以上。
 4. 取扱説明書NO. 411-5932
 5. 嵌合相手型番: TABLE-1参照
 6. 適用端子: TABLE-2参照
- △ リテーナーはハウジング本体と同色とする。

TABLE-2

| | | TERMINAL NO 端子型番 | APPLICABLE WIRE RANGE 適用電線 |
|------------------|----------------|---------------------|---|
| SIGNAL 025 | TIN | 1123343-1 | AVSS/CAVS/CAVUS/AVSSH-f 0.22~0.5mm ² |
| | SELECTIVE GOLD | 1123343-2 | |
| POWER 040 III | SELECTIVE GOLD | 316837-2 | AVSS/CAVS/CAVUS 0.3~0.85mm ² AVS 0.3~0.5mm ² |
| | TIN | 316836-1 | AVS 0.5mm ² AVSS/CAVS 0.85~1.25mm ² |
| | | 316838-1 | CAVUS 1.25mm ² |

TABLE-1

| POS 極数 | CAP ASSEMBLY PART NO キャップ 型番 |
|-----------|------------------------------------|
| 167 | 1318813 |

| PAPER BOX ダンボール | PLASTIC BAG ビニール袋 | COLOR | PART NUMBER |
|-----------------------|----------------------|---------|-------------|
| PAPER BOX ダンボール | PLASTIC BAG ビニール袋 | BLACK △ | 1123339-2 |
| OUTER 外装 | INNER 内装 | NATURAL | 1123339-1 |
| PACKING STYLE 梱包形態 | | COLOR | PART NUMBER |

THIS DRAWING IS A CONTROLLED DOCUMENT FOR TYCO ELECTRONICS CORPORATION
 IT IS SUBJECT TO CHANGE AND THE CONTROLLING ENGINEERING ORGANIZATION
 SHOULD BE CONTACTED FOR THE LATEST REVISION.

| DIMENSIONS: 単位: 概 mm | TOLERANCES UNLESS OTHERWISE SPECIFIED: 一般公差: ±0.3 |
|----------------------------|---|
| | 0-PLC ± |
| | 1-PLC ±0.1 |
| | 2-PLC ±0.01 |
| | 3-PLC ±0.001 |
| | 4-PLC ±0.0001 |
| ANGLES 仕上 | ±3'00" |
| MATERIAL 材料 | FINISH 仕上 |
| PBT | SEE TABLE |

| | |
|--|--|
| DWN T. SHINOHARA 26APR02 | Tyco Electronics AMP K.K. Kawasaki, Japan |
| CHK H. YAMAGAMI 26APR02 | |
| APVD H. YAMAGAMI 26APR02 | |
| PRODUCT SPEC 108-5674 | NAME 名称 025/040 EFI ECU CONNECTOR PLUG HOUSING ASSY 32 POSITION |
| APPLICATION SPEC 取付適用規格 114-5217, 5250 | SIZE A3 |
| WEIGHT 5.7g | CAGE CODE 00779 |
| CUSTOMER DRAWING | DRAWING NO C=1123339 |
| | RESTRICTED TO |
| | SCALE 尺度 2:1 |
| | SHEET 1 OF 1 |
| | REV A |