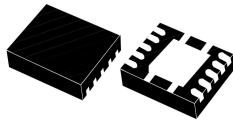


## 3.3 V RS485 compatible with 1.8 V I/Os and selectable speed 20 Mbps or 250 kbps



DFN10 3 x 3

### Features

- Half-duplex RS485 transceiver
- 1.65 V to 3.6 V supply for data and enable signals
- 3 V to 3.6 V supply for bus supply
- High speed: up to 20 Mbps data rate
- Low speed selected by SLR pin : 250 kbps
- Up to 128 transceivers on the bus @ 125 °C
- Fail safe receiver (bus open, idle and shorted)
- Thermal shutdown protection
- Low quiescent current in shutdown mode
- Extended temperature range : -40 °C to +125 °C
- Available in industry standard DFN10
- Bus-pin protection more than:
  - ±4 kV HBM protection
  - ±8 kV IEC61000-4-2 contact discharge
  - ±16 kV IEC61000-4-2 air discharge
  - Compliant IEC61000-4-4 fast transient burst Class B

### Description

The [STR485E](#) is a low power differential line transceiver for data transmission standard RS485 applications in half-duplex mode. Data and enable signals are compatible with 1.8 V or 3.3 V supplies.

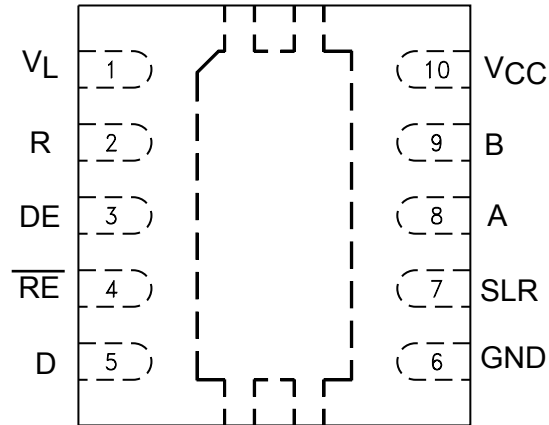
Two speeds are selectable through SLR pin: fast data rate up to 20 Mbps or slow data rate for extended cable running to 250 kbps.

Excessive power dissipation caused by bus contention or faults is prevented by thermal shutdown circuit that forces the driver outputs into a high impedance state. The receiver has a fail-safe feature, which guarantees a high output state when the inputs are left open, shorted or idle.

Product status link

[STR485E](#)

# 1 Pin connections

**Figure 1. Pin connections**

**Table 1. Pin description**

Name	Pin	I/O	Description
VL	1	Logic supply	1.65 V to 3.6 V supply for logic I/O signals
R	2	Digital output	Receiver data output
DE	3	Digital input	Driver enable input
nRE	4	Digital input	Receiver enable input
D	5	Digital input	Transmission data input
GND	6	Ground	
SLR	7	Digital input	Slew rate select: low = 20 Mbps, high = 250 kbps. Default to 20 Mbps if SLR is left floating
A	8	Bus I/O	Digital bus I/O, A
B	9	Bus I/O	Digital bus I/O, B
VCC	10	Bus supply	3 V to 3.6 V supply for A and B bus lines

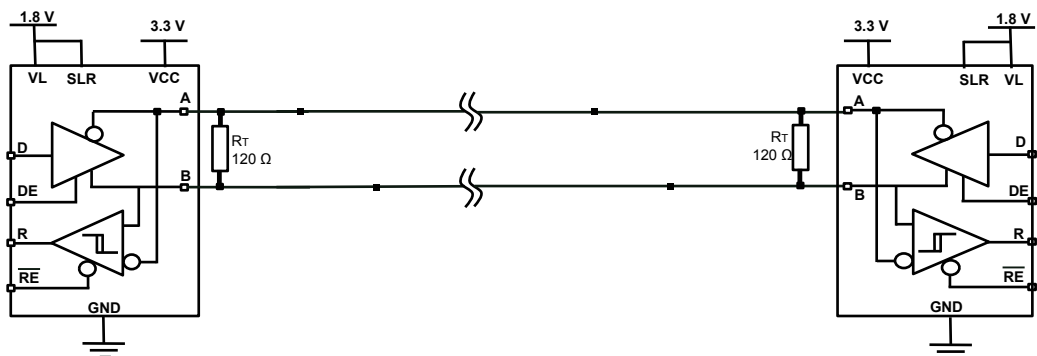
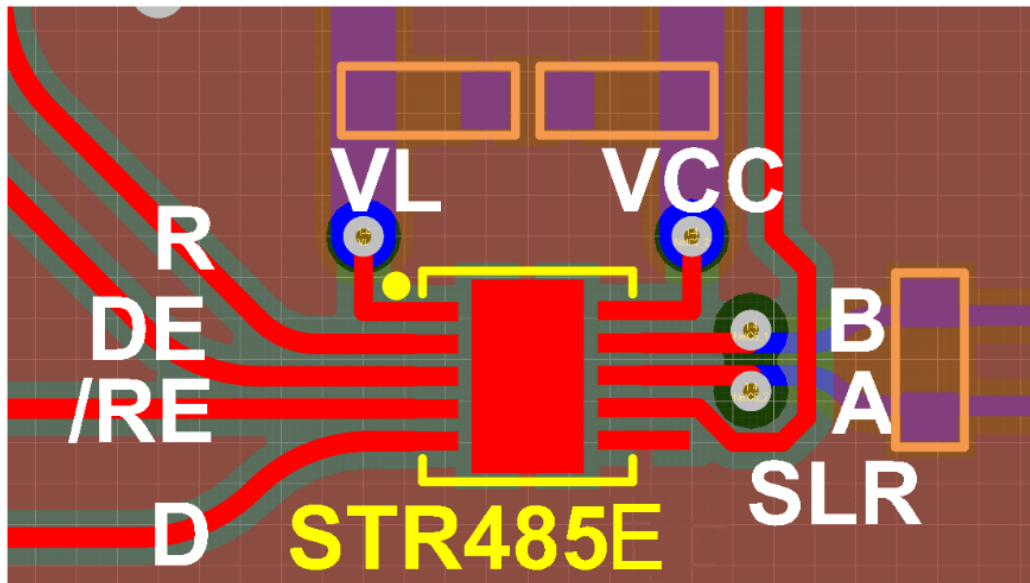
**Figure 2. Typical application schematic**


Figure 3. Example of implementation in a PCB



Adding an ESDA14V2BP6 or ETP01-2821 ST Microelectronics protection device can help the product to sustain an EFT perturbation level up to 4 kV.

## 2 Truth tables

The STR485E is a half-duplex differential driver/receiver compliant to the RS485 communication standard (ISO-IEC 8482). This product is perfectly adapted for low voltage application running with a low power supplies VL, generally set to 1.8 V and VCC set to 3.3 V.

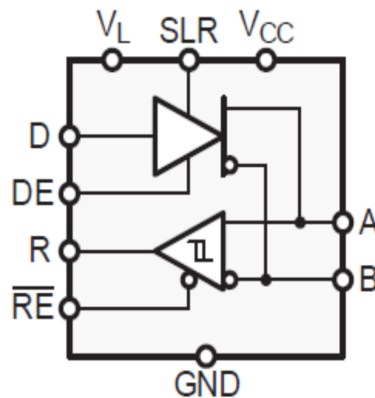
These voltages confer a low power consumption to the product.

SLR is the data rate selection, this pin could be let floating but it is not recommended; in that case the high speed rate is automatically selected.

The SLR pin must be connected to the ground to provide a high speed communication up to 20 Mbps.

When this pin is connected to VL power supply, the data rate is limited to 250 kbps more adapted for very long distance data transmission.

**Figure 4. Block diagram**



The product is perfectly adapted to run with 128 devices on the same bus thanks to the internal output resistance that is over 48 kΩ up to 125 °C; this resistance follows the RS485 condition that requests a minimum of 12 kΩ for 16 unit loads (UL).

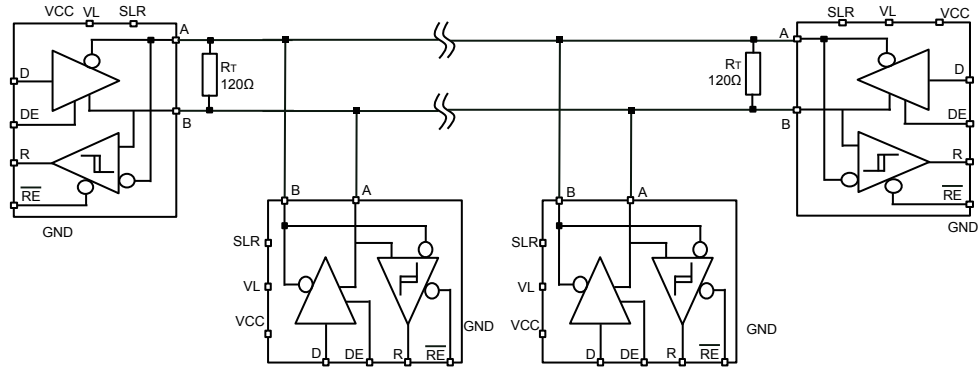
The STR485E has internal protection against ESD that protect each device driver output and receiver input. The limits have been tested up to ±4 kV electrostatic discharge (HBM) and ±8 kV contact discharge and ±16 kV air discharge shocks without latch-up.

Another external protection can be used to increase the communication robustness against different perturbations that can be seen on the application.

The power supplies must be well-decoupled by a minimal capacitor of 0.1 μF as close as possible to the device power supply input. Moreover, the capacitor should be higher on the application with a minimum of 1 μF around the device.

The device operating range is set from VL = 1.65 V to 3.6 V and for VCC = 3.0 V to 3.6 V. In any case VCC must be higher or equal than VL.

The applications should respect this voltage constraints to let the application communication device run to the best conditions.

**Figure 5. Example of typical application**

**Table 2. Driver truth table**

INPUT D	ENABLE DE	OUTPUT A	OUTPUT B	Function
H	H	H	L	Actively drive bus high
L	H	L	H	Actively drive bus low
X	L	Z	Z	Driver disabled
X	Open	Z	Z	Driver disabled by default
Open	H	H	L	Actively drive bus high by default

**Table 3. Receiver truth table**

Differential input $V_{ID} = V_A - V_B$	ENABLE RE	OUTPUT R	Function
$V_{ID} > V_{IT+}$	L	H	Receive valid bus high
$V_{IT-} < V_{ID} < V_{IT+}$	L	?	Indeterminate bus state
$V_{ID} < V_{IT-}$	L	L	Receive valid bus low
X	H	Z	Receiver disabled
X	OPEN	Z	Receiver disabled by default
Open-circuit bus	L	H	Fail safe high output
Short-circuit bus	L	H	Fail safe high output
Idle (terminated) bus	L	H	Fail safe high output

**Table 4. Speed selection, SLR pin configuration**

SLR	Data rate	Typical $t_r / t_f$
VL	250 kbps	200 ns
GND or OPEN	20 Mbps	7 ns

### 3 Absolute maximum ratings and operating conditions

**Table 5. Absolute maximum ratings**

Symbol	Parameter	Min.	Max.	Unit
$V_L$	Control supply voltage	-0.5	4	V
$V_{CC}$	Bus supply voltage	-0.5	4.8	V
	Voltage range at A or B inputs	-13	13	V
	Input voltage range at any logic pin	-0.3	$V_L+0.3$	V
	Receiver output current	-12	12	mA
$T_J$	Junction temperature		170	°C
$T_{stg}$	Storage temperature	-65	150	°C
ESD	IEC 61000-4-2 ESD (air-gap discharge), bus terminals and GND		± 16	kV
	IEC 61000-4-2 ESD (contact discharge), bus terminals and GN		± 8	kV
	IEC 61000-4-4 EFT (fast transient or burst) bus terminals and GND		± 2	kV
	JEDEC standard 22, test method A114, HBM, all terminals		± 4	kV
	JEDEC standard 22, test method C101, (charged device model), all pins		± 1.5	kV

Note: All voltage values, except the differential voltage, are with respect to network ground terminal.

**Table 6. Operating conditions**

Symbol	Parameter	Min.	Typ.	Max.	Unit
$V_L$	Control supply voltage	1.65		3.6	V
$V_{CC}$	Bus supply voltage	3	3.3	3.6	
$V_I$	Input level at any bus terminal (separately or common mode)	-7		12	
$V_{IH}$	High level input voltage (driver, driver enabled, receiver enable inputs, and slew rate select)	$0.7 \times V_L$		$V_L$	
$V_{IL}$	Low level input voltage (driver, driver enable, receiver enable inputs, and slew rate select)	0		$0.3 \times V_L$	
$V_{ID}$	Differential input voltage	-12		12	
IO	Output current / driver	-80		80	mA
	Output current / receiver	- 2		2	
$R_L$	Differential load resistance	54	60		Ω
$C_L$	Differential load capacitance		50		pF
$D_R$	Signaling rate / SLR = '0'			20	Mbps
	Signaling rate / SLR = '1'			250	kbps
$T_A$	Operating free-air temperature	-40		125	°C

Operation is specified for internal (junction temperature) up to 150 °C. Self-heating due to internal power dissipation should be considered for each application. Maximum junction temperature is internally limited by the thermal shut-down circuit which disables the driver outputs when the junction temperature reaches 165 °C.

**Table 7. Thermal information**

Symbol	Parameter	Min.	Typ.	Max.	Unit
$R_{th-ja}$	Thermal resistance, junction-to-ambient		40		°C/W
$R_{th-jc}$	Thermal resistance, junction-to-case		5.2		

## 4 Electrical characteristics

**Table 8. Receiver: over recommended operating conditions (unless otherwise specified. Please, see "Operating conditions" table)**

Symbol	Parameter	Test conditions	Min.	Typ.	Max.	Unit
Receiver/DC						
$V_{IT+}$	Positive-going receiver differential input voltage threshold		(1)	-60	-20	mV
$V_{IT-}$	Negative-going receiver differential input voltage threshold		-200	-130	(1)	
$V_{HYS}$	Receiver differential input voltage threshold hysteresis ( $V_{IT+} - V_{IT-}$ ) <sup>(1)</sup>		40	70		
$V_{OH}$	Receiver high-level output voltage	$V_L = 1.65\text{ V}, I_{OH} = -2\text{ mA}$	1.25	1.45		V
		$V_L = 3\text{ V}, I_{OH} = -2\text{ mA}$	2.75	2.9		
$V_{OL}$	Receiver low-level output voltage	$V_L = 1.65\text{ V}, I_{OL} = 2\text{ mA}$		0.2	0.45	
		$V_L = 3\text{ V}, I_{OL} = 2\text{ mA}$		0.1	0.25	
$C_{OD}$	Differential output capacitance			15		pF
$I_{OZ}$	Receiver output high-impedance current	$V_O = 0\text{ V}$ or $V_L, nRE$ at $V_L$	-1		1	$\mu\text{A}$
$R_{in}$	Receiver input impedance	$-7\text{ V} \leq V_{inCM} \leq +12\text{ V}$ $-40\text{ }^\circ\text{C} \leq \text{Temp} \leq 125\text{ }^\circ\text{C}$	48 <sup>(2)</sup>			k $\Omega$
$I_I$	Receiver input current (disabled driver)	$1V65 < V_L < 3.3\text{ V}, V_{CC} = 3.3\text{ V}$		85 <sup>(2)</sup>		$\mu\text{A}$
		$V_I = 12\text{ V}, -40\text{ }^\circ\text{C} \leq \text{Temp} \leq 125\text{ }^\circ$			250 <sup>(2)</sup>	
		$V_I = -7\text{ V}, -40\text{ }^\circ\text{C} \leq \text{Temp} \leq 125\text{ }^\circ$	-200 <sup>(2)</sup>			
Receiver / switching characteristics, SLR = 'X'						
$t_r, t_f$	Receiver output rise/fall time			5	15	ns
$t_{PHL}, t_{PLH}$	Receiver propagation delay time	$C_L = 15\text{ pF}$	15	25	60	
$t_{SK(P)}$	Receiver pulse skew,   $t_{PHL} - t_{PLH}$				15	
$t_{PLZ}, t_{PHZ}$	Receiver disable time			12	20	
$t_{PLZ}, t_{PZH}, t_{PZL}, t_{PZH}$	Receiver enable time	Driver enabled $C_L = 15\text{ pF}$ with $1\text{ k}\Omega$		15	80	$\mu\text{s}$
		Driver disabled $C_L = 15\text{ pF}$ with $1\text{ k}\Omega$		2	8	

1. Under any specific conditions,  $V_{IT+}$  is specified to be at least  $V_{HYS}$  higher than  $V_{IT-}$ .
2. Guaranteed by design simulation in temperature.



**Table 9. Driver: over recommended operating conditions (unless otherwise specified. Please, see "Operating conditions" table)**

Symbol	Parameter	Test conditions	Min.	Typ.	Max.	Unit
DC driver/ DC						
$I_I$	Driver input, driver enable, and receiver enable input current		-2		2	$\mu\text{A}$
$ V_{OD} $	Driver differential output voltage magnitude	$R_L = 60 \Omega, 375 \Omega$ on each output to $-7 \text{ V}$ to 12	1.5	2		V
		$R_L = 54 \Omega$ (RS-485)	1.5	2		
		$R_L = 100 \Omega$ (RS-422) $T_J \geq 0 \text{ }^\circ\text{C}, V_{CC} \geq 3.2$	2			
$\Delta V_{OD} $	Change in magnitude of driver differential output voltage	$R_L = 54 \Omega, C_L = 50 \text{ pF}$	-50	0	50	mV
$V_{C(SS)}$	Steady-state common-mode output voltage	Center of two 27- $\Omega$ load resistors	1	$V_{CC}/2$	3	V
$\Delta V_C$	Change in differential driver output common-mode voltage		-50	0	50	mV
$V_{C(PP)}$	Peak-to-peak driver common-mode output voltage			500		
Driver/switching characteristics, SLR='1', 250 kbps, bit time $\geq 4 \mu\text{s}$						
$t_r, t_f$	Driver differential output rise/fall time	$R_L=54 \Omega, C_L=50 \text{ pF}$	0.05	0.2	1	$\mu\text{s}$
$t_{PHL}, t_{PLH}$	Driver propagation delay time		0.4	1	1.5	
$t_{SK(P)}$	Driver pulse skew, $ t_{PHL} - t_{PLH} $				0.3	
$t_{PLZ}, t_{PHZ}$	Driver disable time			0.017	0.035	
$t_{PLZ}, t_{PZH}$	Driver enable time	Receiver enabled $C_L=50 \text{ pF}$ with 110 k $\Omega$		0.7	1.2	$\mu\text{s}$
		Receiver disabled $C_L=50 \text{ pF}$ with 110 k $\Omega$		1.64	2.4	
Driver/switching characteristics, SLR= '0', 20 Mbps, bit time $\geq 50 \text{ ns}$						
$t_r, t_f$	Driver differential output rise/fall time	$R_L=54 \Omega, C_L=50 \text{ pF}$	4	7	15	ns
$t_{PHL}, t_{PLH}$	Driver propagation delay		6	12	25	
$t_{SK(P)}$	Driver pulse skew, $ t_{PHL} - t_{PLH} $				4	
$t_{PLZ}, t_{PHZ}$	Driver disable time			17	40	
$t_{PZL}, t_{PZH}$	Driver enable time		Receiver enabled		9	
		Receiver disabled		1	2.4	$\mu\text{s}$

**Table 10. Supply current and protections: over recommended operating conditions (unless otherwise specified. Please, see "Operating conditions" table)**

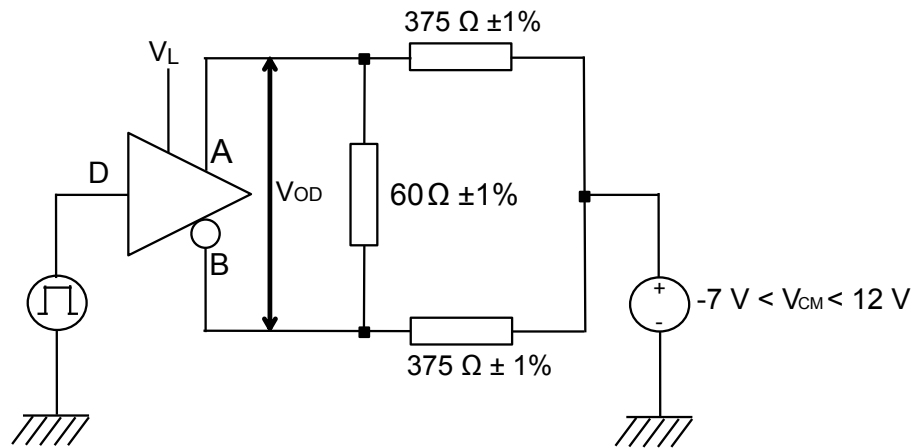
Symbol	Parameter	Conditions	Min.	Typ.	Max.	Unit
Supply current						
I <sub>CC</sub>	Supply current (quiescent)	Driver and receiver enabled DE = V <sub>L</sub> , RE = GND, no load, T <sub>amb</sub>		625		μA
		Driver and receiver enabled DE = V <sub>L</sub> , RE = GND, no load, T < 125 °C			3000 <sup>(1)</sup>	
		Driver enabled, receiver disabled DE = V <sub>CC</sub> , =V <sub>L</sub> , No load, T <sub>amb</sub>		315		
		Driver enabled, receiver disabled DE = V <sub>CC</sub> , =V <sub>L</sub> , No load, T < 125 °C				2500 <sup>(1)</sup>
		Driver disabled, receiver enabled DE = GND, =GND, No Load		515	700	
		Driver and receiver disabled DE = GND, =V <sub>L</sub> , no load [-40 °C, 125 °C]		0.5	8	
T <sub>TSD</sub>	Thermal shutdown threshold			165		°C
T <sub>TSD_HYS</sub>	Thermal shutdown hysteresis			15		
I <sub>OS</sub>	Driver short-circuit output current	-7 V < V <sub>SHORT</sub> < + 12 V	-250		250	mA

1. Guaranteed by simulation.

## 5 Test circuits and typical characteristics

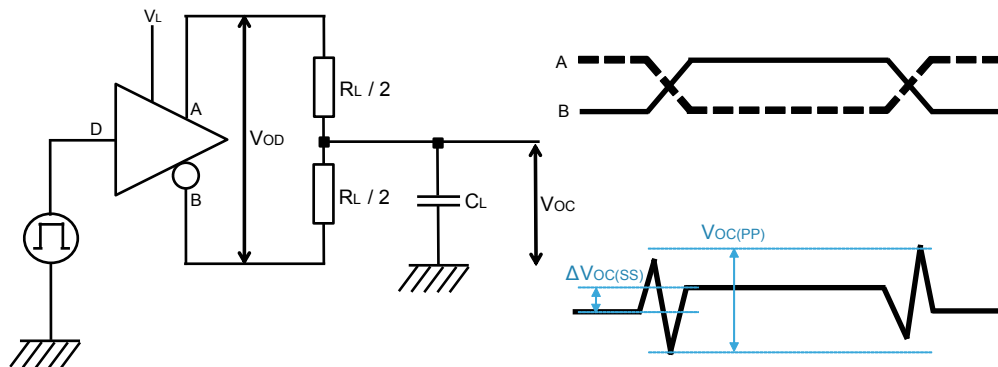
In the schematics below,  $C_L$  includes fixture and instrumentation capacitance.

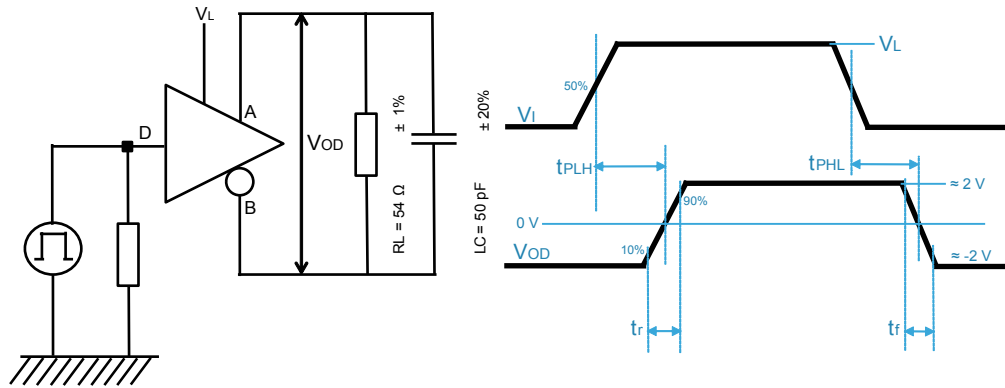
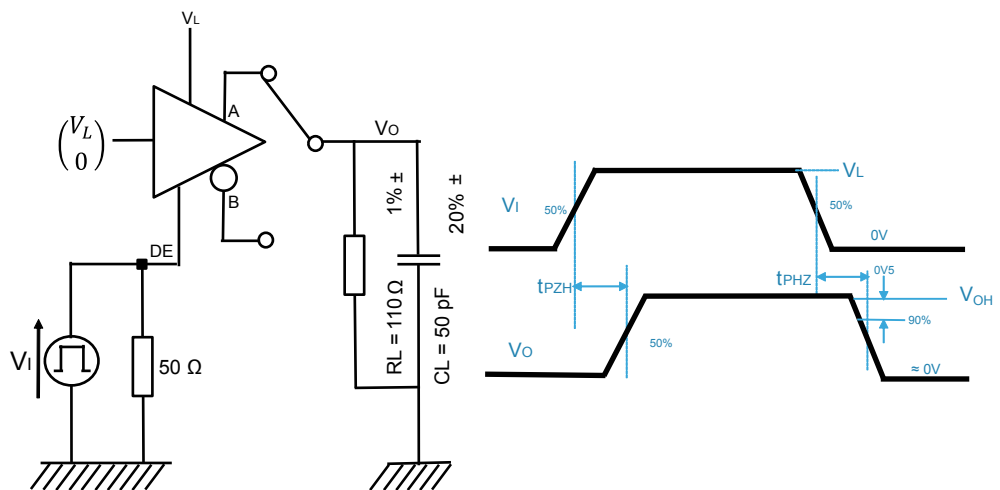
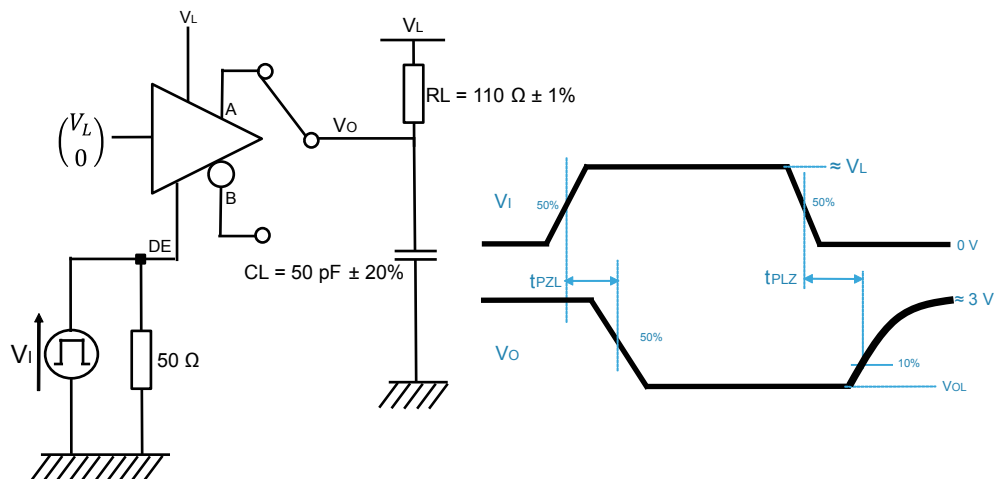
**Figure 6. Driver differential output voltage with common-mode load**

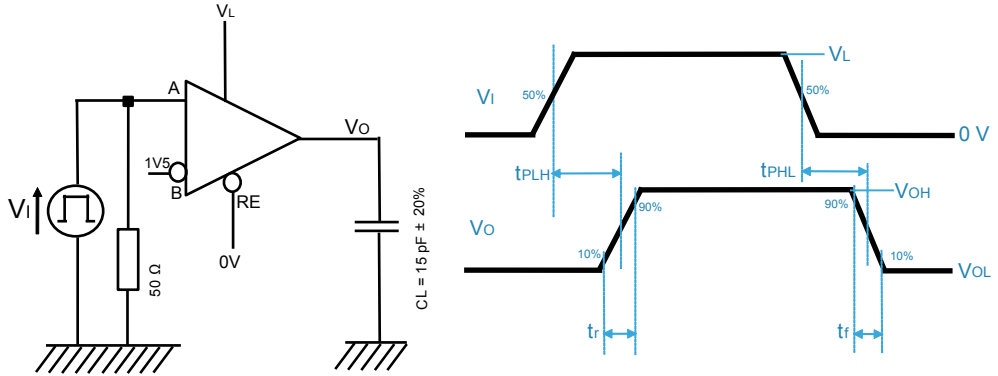
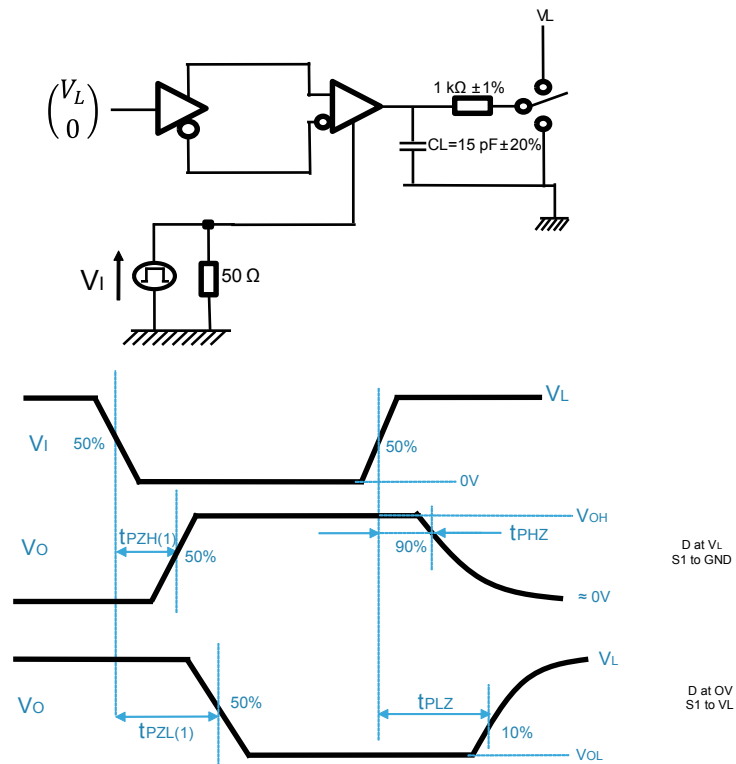


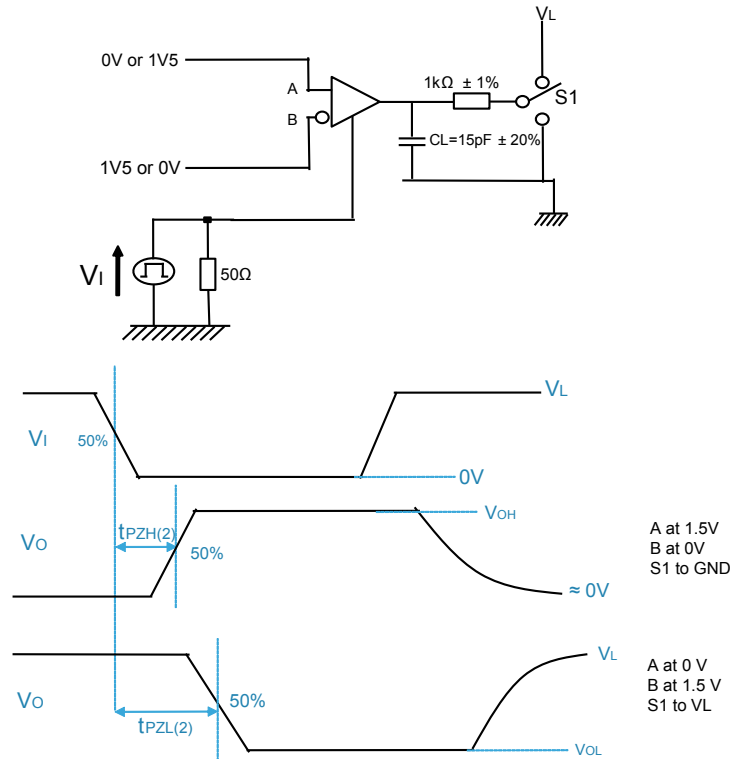
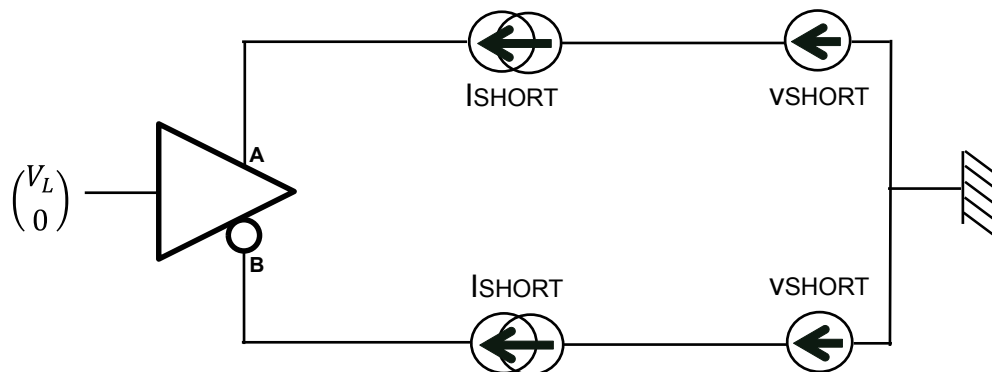
Input generator rate is 100 kbps, 50% duty cycle, rise and fall times less than 6 ns.

**Figure 7. Driver differential and common-mode output with RS-485 load**



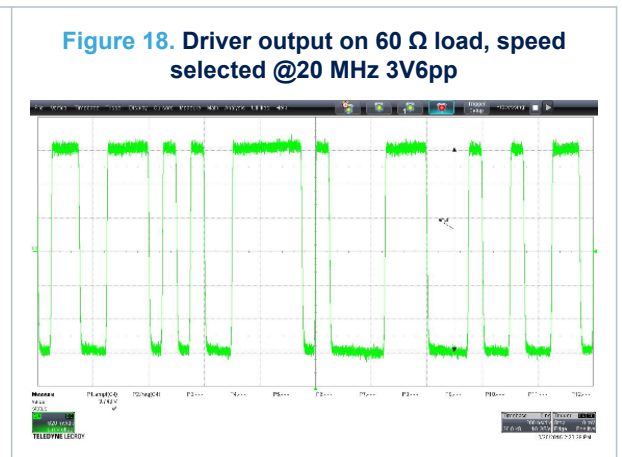
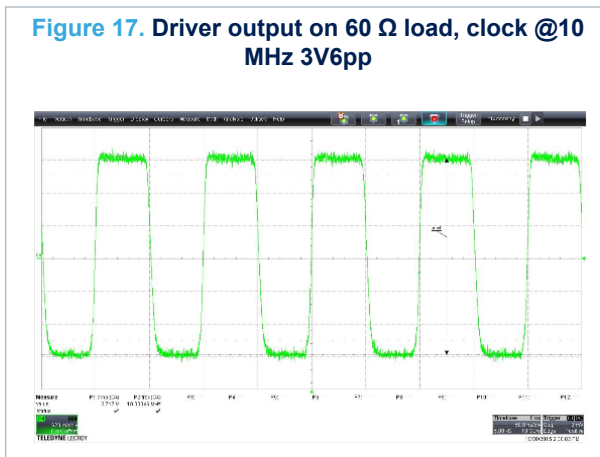
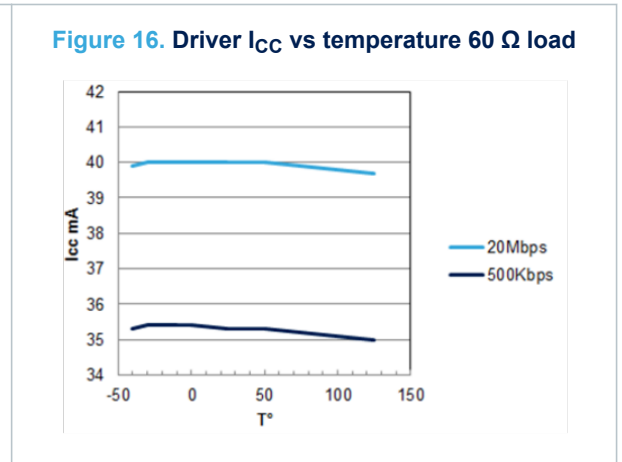
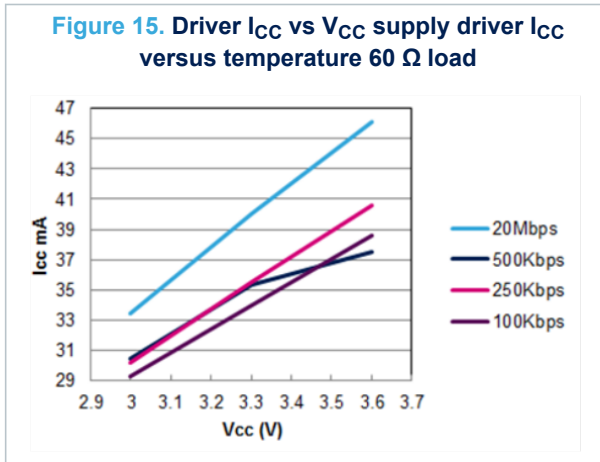
**Figure 8. Driver differential output rise and fall times and propagation delays**

**Figure 9. Driver enable and disable times with active high output and pull-down load**

**Figure 10. Driver enable and disable times with active low output and pull-up load**


**Figure 11. Receiver output rise and fall times and propagation delay**

**Figure 12. Receiver enable/disable times with driver enabled**


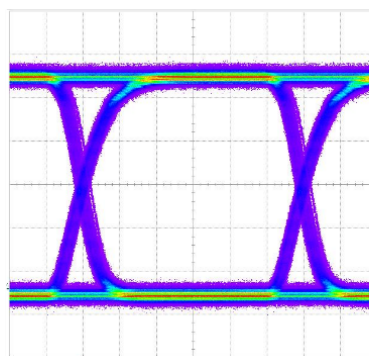
**Figure 13. Receiver enable/disable times with driver disabled**

**Figure 14. Short-circuit output current measurement**


When one of the driver output is shorted to a voltage source (named  $V_{SHORT}$ ) between -7 V to +12 V stabilized, the current does not exceed 250 mA and the driver is protected.

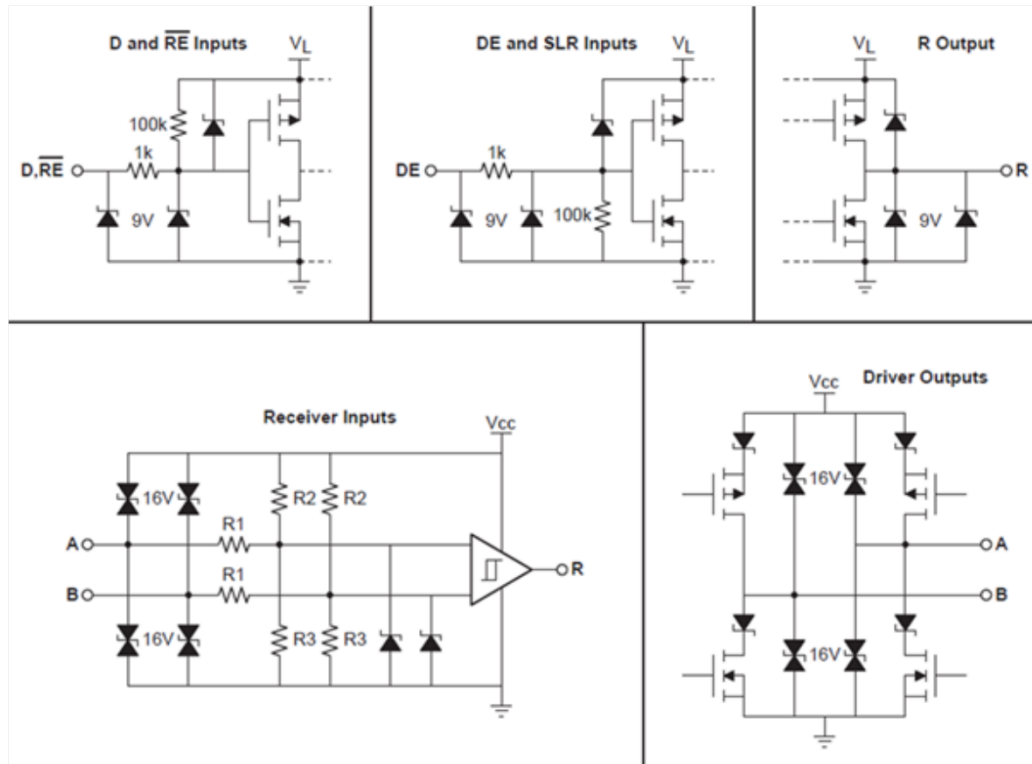
## 6 Typical characteristics



**Figure 19. Eye diagram 20 Mbps short line**



## 7 Equivalent input and output schematic diagrams

**Figure 20. Equivalent input and output schematic diagrams**


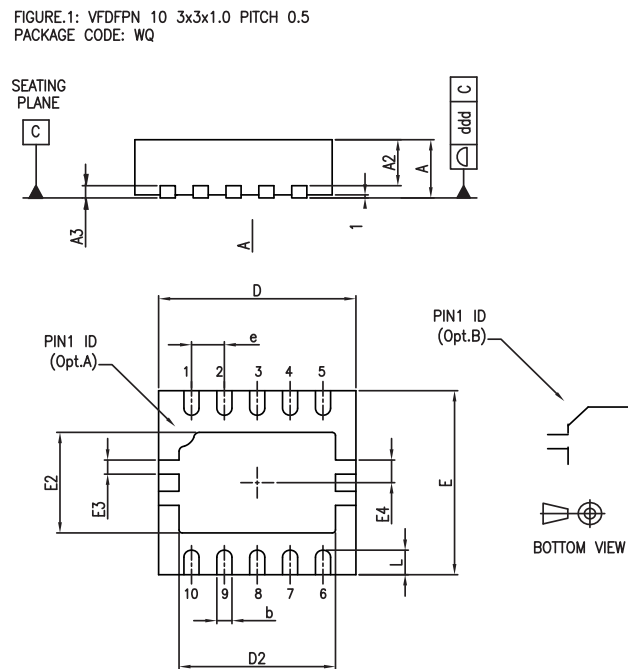


## 8 Package information

In order to meet environmental requirements, ST offers these devices in different grades of **ECOPACK** packages, depending on their level of environmental compliance. ECOPACK specifications, grade definitions and product status are available at: [www.st.com](http://www.st.com). ECOPACK is an ST trademark.

### 8.1 DFN10 package information

**Figure 21. DFN10 package outline**

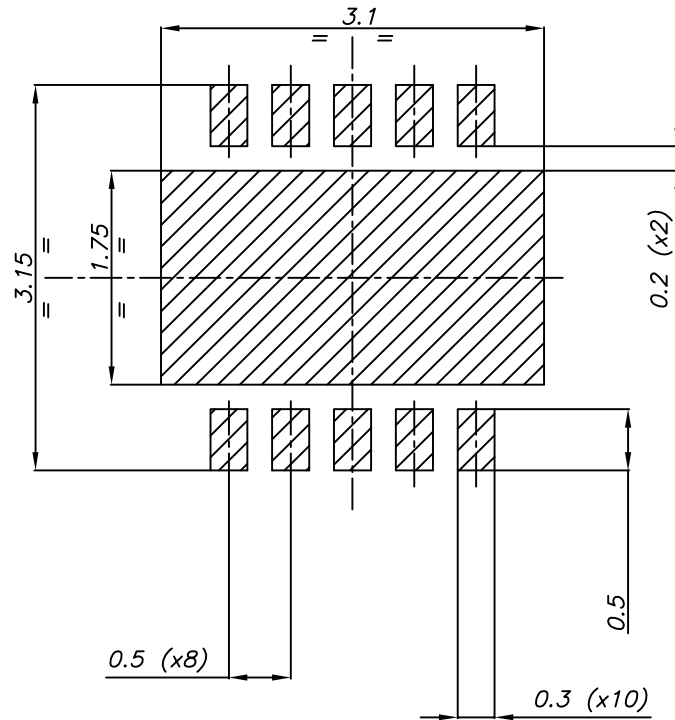


**Table 11. DFN10 package mechanical data**

Symbol	mm		
	Min.	Typ.	Max.
A	0.80	0.90	1.00
A1		0.02	0.05
A2	0.55	0.65	0.80
A3		0.20	
b	0.18	0.25	0.30
D	2.85	3.00	3.15
D2	2.20		2.70
E	2.85	3.00	3.15
E2	1.40		1.75
e		0.50	
L	0.30	0.40	0.50
ddd			0.08

Note: VFDFPN stands for thermally enhanced very thin fine pitch dual flat packages. No lead. Very thin:  $0.80\text{ mm} < A \leq 1.00\text{ mm}$  / fine pitch:  $e < 1.00\text{ mm}$

Figure 22. DFN10 recommended footprint



## 9 Ordering information

Order code	Temperature range	Package	Marking
STR485ELVQT	-40 °C to +125 °C	DFN10	0301

## Revision history

**Table 12. Document revision history**

Date	Version	Changes
12-Jun-2019	1	Initial release.

## Contents

<b>1</b>	<b>Pin connections</b> .....	<b>2</b>
<b>2</b>	<b>Truth tables</b> .....	<b>4</b>
<b>3</b>	<b>Absolute maximum ratings and operating conditions</b> .....	<b>6</b>
<b>4</b>	<b>Electrical characteristics</b> .....	<b>8</b>
<b>5</b>	<b>Test circuits and typical characteristics</b> .....	<b>11</b>
<b>6</b>	<b>Typical characteristics</b> .....	<b>15</b>
<b>7</b>	<b>Equivalent input and output schematic diagrams</b> .....	<b>16</b>
<b>8</b>	<b>Package information</b> .....	<b>17</b>
	<b>8.1</b> <b>DFN10 package information</b> .....	<b>17</b>
<b>9</b>	<b>Ordering information</b> .....	<b>19</b>
	<b>Revision history</b> .....	<b>20</b>

## List of tables

<b>Table 1.</b>	Pin description . . . . .	2
<b>Table 2.</b>	Driver truth table . . . . .	5
<b>Table 3.</b>	Receiver truth table . . . . .	5
<b>Table 4.</b>	Speed selection, SLR pin configuration . . . . .	5
<b>Table 5.</b>	Absolute maximum ratings . . . . .	6
<b>Table 6.</b>	Operating conditions . . . . .	6
<b>Table 7.</b>	Thermal information . . . . .	7
<b>Table 8.</b>	Receiver: over recommended operating conditions (unless otherwise specified. Please, see "Operating conditions" table) . . . . .	8
<b>Table 9.</b>	Driver: over recommended operating conditions (unless otherwise specified. Please, see "Operating conditions" table) . . . . .	9
<b>Table 10.</b>	Supply current and protections: over recommended operating conditions (unless otherwise specified. Please, see "Operating conditions" table) . . . . .	10
<b>Table 11.</b>	DFN10 package mechanical data. . . . .	17
<b>Table 12.</b>	Document revision history . . . . .	20

## List of figures

<b>Figure 1.</b>	Pin connections . . . . .	2
<b>Figure 2.</b>	Typical application schematic . . . . .	2
<b>Figure 3.</b>	Example of implementation in a PCB . . . . .	3
<b>Figure 4.</b>	Block diagram . . . . .	4
<b>Figure 5.</b>	Example of typical application . . . . .	5
<b>Figure 6.</b>	Driver differential output voltage with common-mode load . . . . .	11
<b>Figure 7.</b>	Driver differential and common-mode output with RS-485 load . . . . .	11
<b>Figure 8.</b>	Driver differential output rise and fall times and propagation delays . . . . .	12
<b>Figure 9.</b>	Driver enable and disable times with active high output and pull-down load . . . . .	12
<b>Figure 10.</b>	Driver enable and disable times with active low output and pull-up load . . . . .	12
<b>Figure 11.</b>	Receiver output rise and fall times and propagation delay . . . . .	13
<b>Figure 12.</b>	Receiver enable/disable times with driver enabled. . . . .	13
<b>Figure 13.</b>	Receiver enable/disable times with driver disabled . . . . .	14
<b>Figure 14.</b>	Short-circuit output current measurement. . . . .	14
<b>Figure 15.</b>	Driver $I_{CC}$ vs $V_{CC}$ supply driver $I_{CC}$ versus temperature 60 $\Omega$ load. . . . .	15
<b>Figure 16.</b>	Driver $I_{CC}$ vs temperature 60 $\Omega$ load . . . . .	15
<b>Figure 17.</b>	Driver output on 60 $\Omega$ load, clock @10 MHz 3V6pp . . . . .	15
<b>Figure 18.</b>	Driver output on 60 $\Omega$ load, speed selected @20 MHz 3V6pp . . . . .	15
<b>Figure 19.</b>	Eye diagram 20 Mbps short line . . . . .	15
<b>Figure 20.</b>	Equivalent input and output schematic diagrams. . . . .	16
<b>Figure 21.</b>	DFN10 package outline . . . . .	17
<b>Figure 22.</b>	DFN10 recommended footprint. . . . .	18

**IMPORTANT NOTICE – PLEASE READ CAREFULLY**

STMicroelectronics NV and its subsidiaries (“ST”) reserve the right to make changes, corrections, enhancements, modifications, and improvements to ST products and/or to this document at any time without notice. Purchasers should obtain the latest relevant information on ST products before placing orders. ST products are sold pursuant to ST’s terms and conditions of sale in place at the time of order acknowledgement.

Purchasers are solely responsible for the choice, selection, and use of ST products and ST assumes no liability for application assistance or the design of Purchasers’ products.

No license, express or implied, to any intellectual property right is granted by ST herein.

Resale of ST products with provisions different from the information set forth herein shall void any warranty granted by ST for such product.

ST and the ST logo are trademarks of ST. For additional information about ST trademarks, please refer to [www.st.com/trademarks](http://www.st.com/trademarks). All other product or service names are the property of their respective owners.

Information in this document supersedes and replaces information previously supplied in any prior versions of this document.

© 2019 STMicroelectronics – All rights reserved