



## Ex command devices

### Ex 14 RUV 2Ö-5m

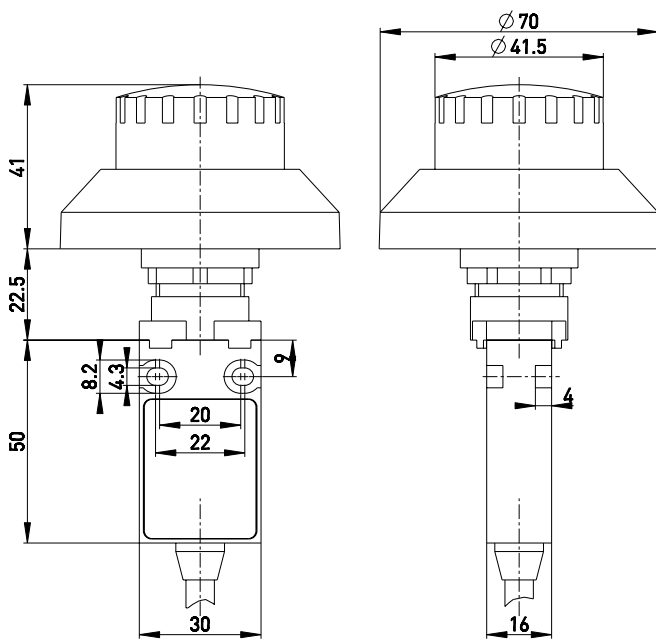
Material number: 1183668 (Material number old: 14559305)

#### Features/Options

- Ex zone 1 and 21
- Double insulated
- Mounting hole diameter 22.5 mm
- With pre-wired cable
- Actuator: Emergency-stop push-button RUV
- Actuator made of plastic

- Projection from front of panel 41 mm
- With collar to prevent blocking
- Reset by turning clockwise
- With pressure-point to protect against unintentional actuation
- N.B.: Please state required approvals for Russia, China, Brazil and North America with your order!

#### Dimensions



#### Technical data

<b>Standards</b>	EN 60947-5-1; EN 60079-0, EN 60079-1, EN 60079-31; EN ISO 13850; EN ISO 13849-1
<b>Enclosure</b>	glass-fibre reinforced, shock-proof thermoplastic, self-extinguishing UL 94-V0 IP 65 to IEC/EN 60529
<b>Degree of protection</b>	IP 65 to IEC/EN 60529
<b>Contact material</b>	silver
<b>Switching system</b>	slow action, positive break NC contacts $\ominus$
<b>Switching elements</b>	2 NC contacts, type Zb
<b>Connection</b>	pre-wired cable H05VV-F
<b>Cable cross-section</b>	4 x 0.75 mm <sup>2</sup>
<b>Cable length</b>	5 m
<b>B<sub>10d</sub> (10 % Load)</b>	60 000
<b>T<sub>M</sub></b>	max. 20 years
<b>U<sub>imp</sub></b>	4 kV
<b>U<sub>i</sub></b>	250 V
<b>I<sub>the</sub></b>	T6: 6 A, T5: 3 A
<b>I<sub>e</sub>/U<sub>e</sub></b>	6 A/250 VAC; 0.25 A/230 VDC
<b>Utilisation category</b>	AC-15; DC-13
<b>Max. fuse rating</b>	6 A gG/gN fuse
<b>Ambient temperature</b>	T6: -20 °C ... +65 °C, T5: -20 °C ... +75 °C, +90 °C with max. 3 A
<b>Mechanical life</b>	> 30 000 operations
<b>Operation cycles</b>	1800/h
<b>Impact energy</b>	max. 4 J
<b>Ex marking</b>	$\text{Ex}$ II 2G Ex d IIC T6/T5 Gb, $\text{Ex}$ II 2D Ex tb IIIC T80 °C/T95 °C Db IECEx Ex d IIC T6/T5 Gb, Ex tb IIIC T80 °C/T95 °C Db
<b>Approvals</b>	PTB 03 ATEX 1070 X IECEx PTB 06.0098X



Errors and omissions excepted.

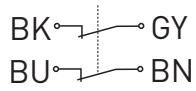


## Ex command devices

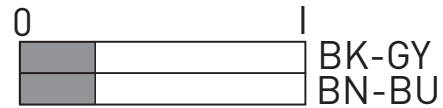
Ex 14 RUV 2Ö-5m

Material number: 1183668 (Material number old: 14559305)

### Contact diagram



### Switching diagram



### Cut out dimensions

