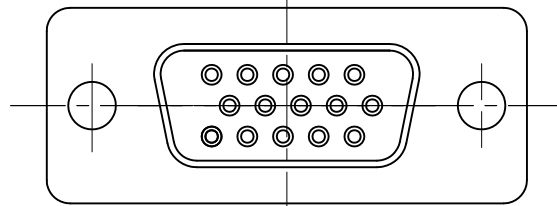
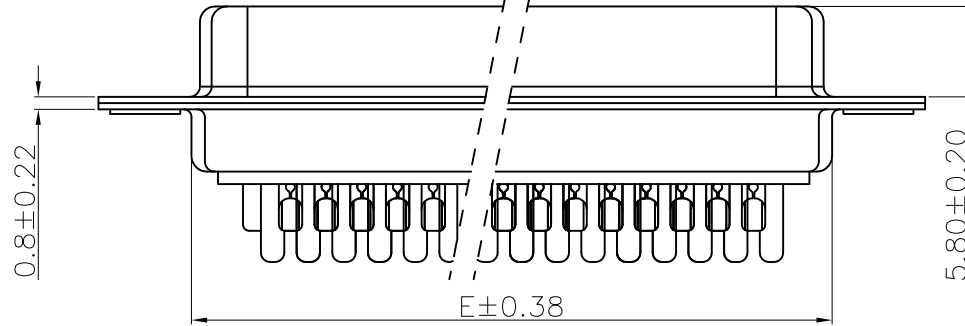


FOR 26/44/62P



FOR 15P

REMARK:

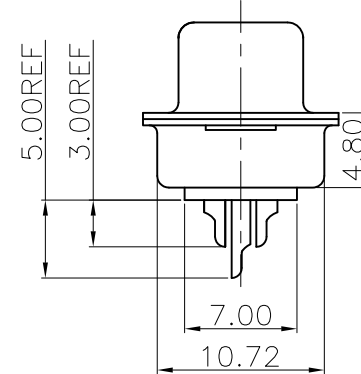
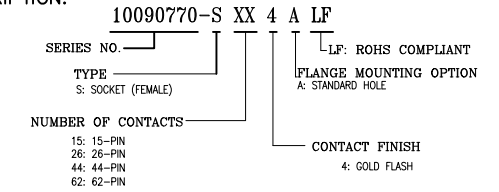
1.CHARACTERISTICS:

RATED VOLTAGE: 250V  
 RATED CURRENT: 2.5AMP  
 CONTACT RESISTANCE: 25mohms MAX.INITIAL,  
 40mohms MAX.AFTER.  
 INSULATION RESISTANCE: 5000Mohms MIN.at 500V DC  
 DIELECTRIC STRENGTH: 750VRMS  
 OPERATING TEMPERATURE RANGE: -55C~105C\*  
 INSERTION/EXTRACTION FORCE PER CONTACT: 5N Max./0.2N Min.  
 MATING/UNMATING CYCLES: 50MATINGS MIN FOR GOLD-FLASH

2.MATERIAL:

INSULATORS: THERMOPLASTIC G.F(UL94V-0) BLACK  
 CONTACTS: COPPER ALLOY,GOLD(G/F) TOP OVER CONTACT  
 AREA,100u" Min MATTE TIN TOP OVER SOLDER AREA,  
 50u" Min NICKEL UNDER PLATE.  
 SHELL: CARBON STEEL,100u" Min NICKEL TOP OVER,  
 50u" Min COPPER UNDER PLATE.

3.PART NUMBER DESCRIPTION:



POS.	WIRE AWG
15	24~28
26	24~28
44	24~28
62	24~30

POS.	PART NO.	A	B	C	D	E
15	10090770-S154ALF	30.81	24.99	16.33	2.29	19.10
26	10090770-S264ALF	39.24	33.32	24.66	2.29	27.75
44	10090770-S444ALF	53.04	47.04	38.38	2.29	41.30
62	10090770-S624ALF	69.32	63.50	54.84	2.41	57.40

mat'l. code				tolerances unless otherwise specified			CUSTOMER COPY		FCI		
ltr	ecn no	dr	date	linear	.X ± 0.38	projection	title				
A	T09-1156	J.H	12/10/09		.XX ± 0.25		H/D D-SUB FEMALE SOLDER BUCKET				
B	ELX-I-15285	M.P	07/18/13		.XXX ± 0.10		product family D-SUB code TWN				
C	ELX-I-15500	A.B	2013/08/21	angles	0° ± 2°	scale	MM		10090770		
				dr	JASON HSU 12/10/09					sheet 1 of 2	
				enr	ALIAS BABU 2013/08/21						
				chr	MITHUN PAUL 2013/08/21						
				appd	BIJU.K.PAUL 2013/08/21						
sheet index	revision sheet	C	C								
		1	2								

Tous droits strictement réservés. Reproduction ou communication a des tiers interdite sous quelque forme que ce soit sans autorisation écrite du propriétaire. Propriete de c FCI. Droits de reproduction FCI.

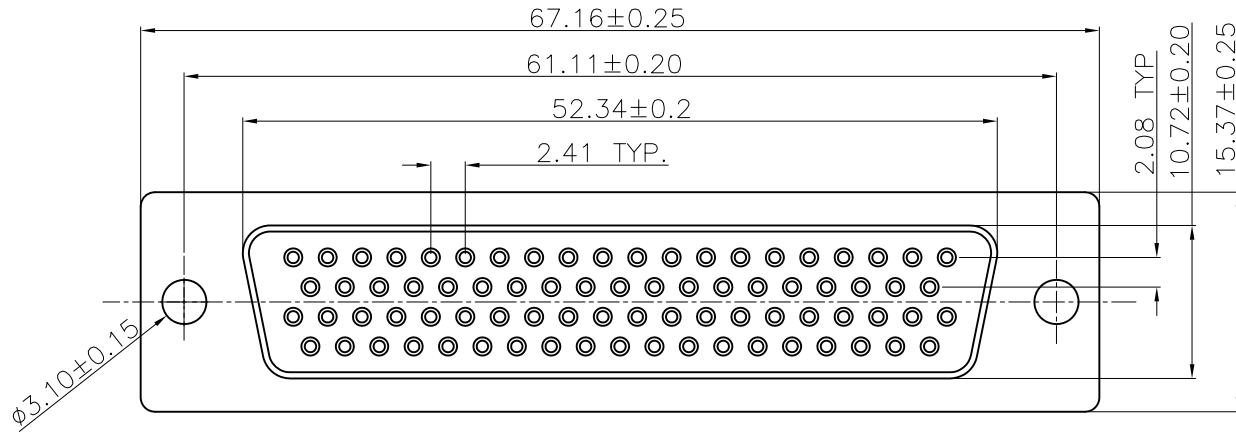


All rights strictly reserved. Reproduction or issue to third parties in any form whatever is not permitted without written authority from the proprietor. Property of FCI. Copyright FCI.

1 | 2

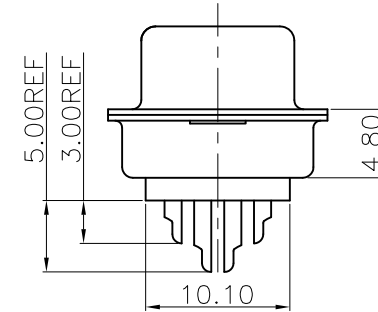
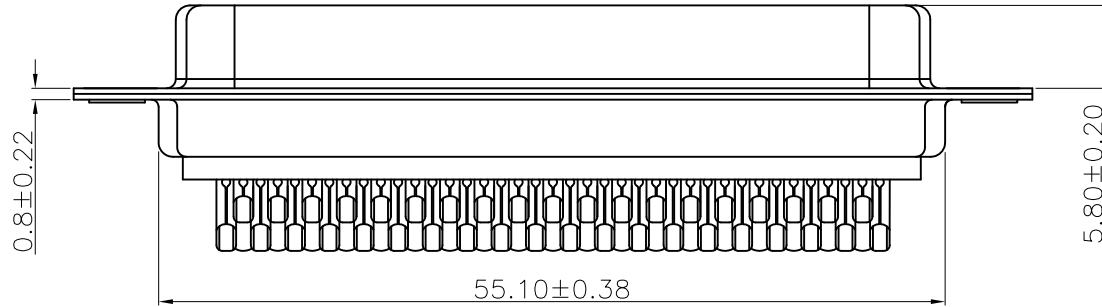
3

4



REMARK:  
 1.CHARACTERISTICS:  
 RATED VOLTAGE: 250V  
 RATED CURRENT: 2.5AMP  
 CONTACT RESISTANCE: 35mohms MAX.INITIAL, 50mohms MAX.AFTER.  
 INSULATION RESISTANCE: 5000Mohms MIN.at 500V DC  
 DIELECTRIC STRENGTH: 750VRMS  
 OPERATING TEMPERATURE RANGE: -55C~85C  
 INSERTION/EXTRACTION FORCE PER CONTACT:5N Max./0.2N Min Min.  
 MATING/UNMATING CYCLES:50MATINGS MIN FOR GOLD-FLASH  
 2.MATERIAL:  
 INSULATORS: THERMOPLASTIC G.F(UL94V-0) BLACK  
 CONTACTS: COPPER ALLOY,GOLD(G/F) TOP OVER CONTACT AREA,100u" Min MATTE TIN TOP OVER SOLDER AREA, 50u" Min NICKEL UNDER PLATE.  
 SHELL: CARBON STEEL,100u" Min NICKEL TOP OVER, 50u" Min COPPER UNDER PLATE.  
 3.PART NUMBER DESCRIPTION:

10090770-S 78 4 A LF  
 SERIES NO. \_\_\_\_\_  
 TYPE \_\_\_\_\_  
 S: SOCKET (FEMALE)  
 NUMBER OF CONTACTS \_\_\_\_\_  
 78: 78-PIN  
 LF: ROHS COMPLIANT  
 PLANGE MOUNTING OPTION  
 A: STANDARD HOLE  
 CONTACT FINISH  
 4: GOLD FLASH



POS.	WIRE AWG
78	24~30

PART NO.: 10090770-S784ALF

mat'l. code				tolerances unless otherwise specified			CUSTOMER COPY		FCI		www.fciconnect.com	
ltr	ecn no	dr	date	linear	.X ± 0.38		projection	title				
c					.XX ± 0.25			H/D D-SUB 78P FEMALE SOLDER BUCKET				
					.XXX ± 0.10							
				angles	0° ±2°							
				dr	JASON HSU	12/10/09	MM		product family D-SUB		code	
				enr	ALIAS BABU	2013/08/21	scale		size dwg no		TWN	
				chr	MITHUN PAUL	2013/08/21	1:1		A4		sheet	
				appd	BJU.K.PAUL	2013/08/21			10090770		2 of 2	
sheet index	revision sheet											

1 | 2

3

4

ACAD

PDS: Rev :C

STATUS:Released

Printed: Aug 26, 2013