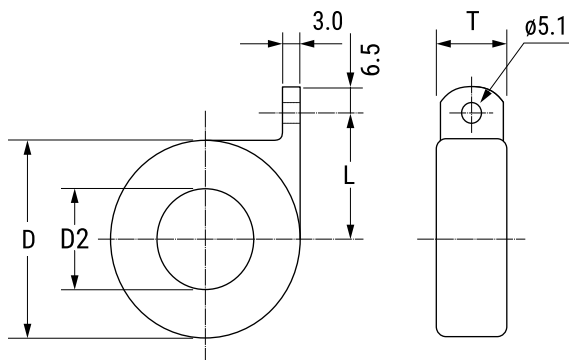


KEMET Part Number: ESD-R-38B
(UECESDR38B0000)

KEMET, ESD-R-B, EMI Cores, Noise Suppression



Dimensions

D	42.4mm +/-0.8mm
D2	17.9mm +/-0.8mm
L	28mm +/-0.8mm
T	16mm MAX

Packaging Specifications

Packaging:	Tray, Box
Packaging Quantity:	240
Weight:	58.6 g

General Information

Series:	ESD-R-B
Style:	Round - Snail
Cable Type:	Round Cable
Description:	EMI Core Solid, For Round Cables, Toroidal Cores
Features:	Snail Shaped Case
RoHS:	Yes
Qualifications:	UL94 V-2
Case Color:	White
Toroidal:	ESD-R-38D
Materials:	Mn-Zn

Specifications

Temperature Range:	-25/+60°C
Effective Frequency:	10 MHz (AM Band Range)