

## **AB-FC0VV09-LLLWL-XA1**

RGBWW 5-in-1 LED, IP65, flexible light strip

### **Application:**

- Conference/Meeting rooms
- Factories and Offices
- Commercial Purposes
- Residential/Institution Buildings
- Schools
- Hospitals
- Hotels

**Feature:**

|                        |   |
|------------------------|---|
| LEDs:                  | 5050 SMD                                |
| Light Angle:           | 120 degree                              |
| QTY/Meter              | 60Leds                                  |
| Length:                | 5M (197in)/roll                         |
| Power rating           | 76.5W/roll                              |
| Rated Current          | DC12V/6.37A/roll      DC24V/3.185A/roll |
| Operating Temperature: | -20°C~+80°C                             |
| Storage Temperature:   | 0°C~+60°C                               |
| Environment Humidity:  | 40-70% RH                               |
| Protection Grade:      | IP65                                    |

**Product performance parameter:**

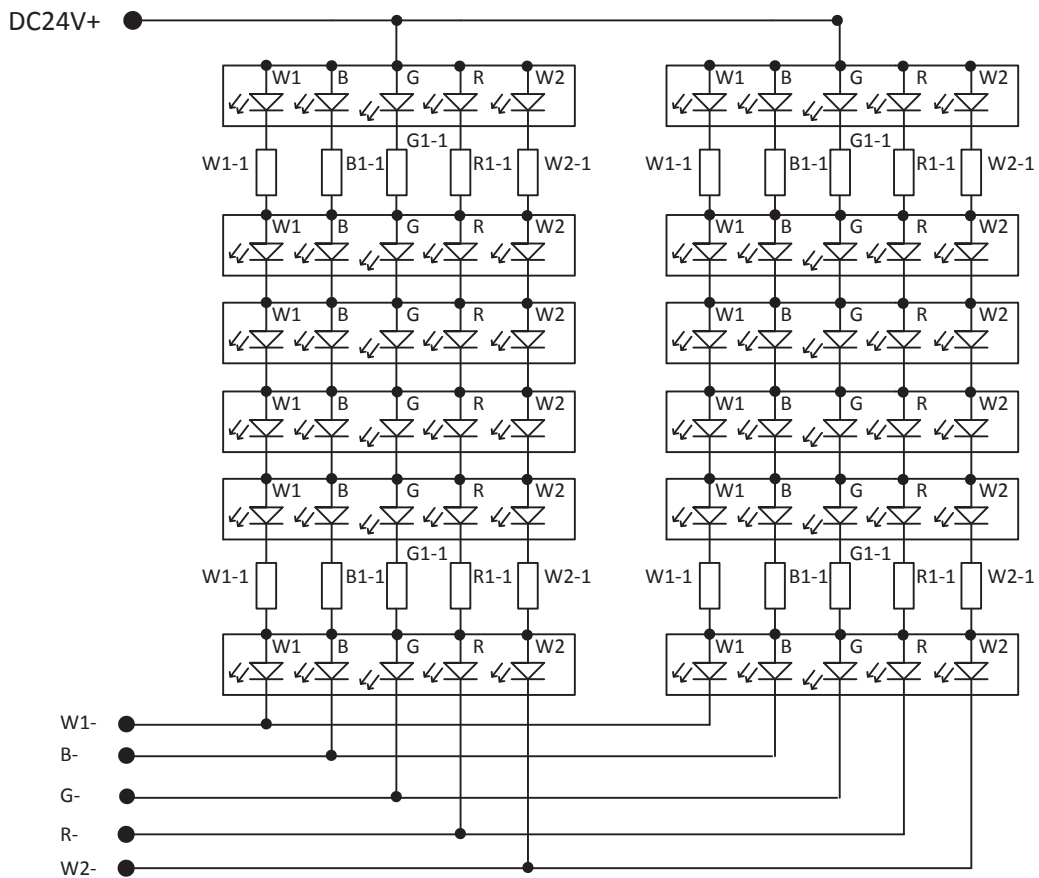
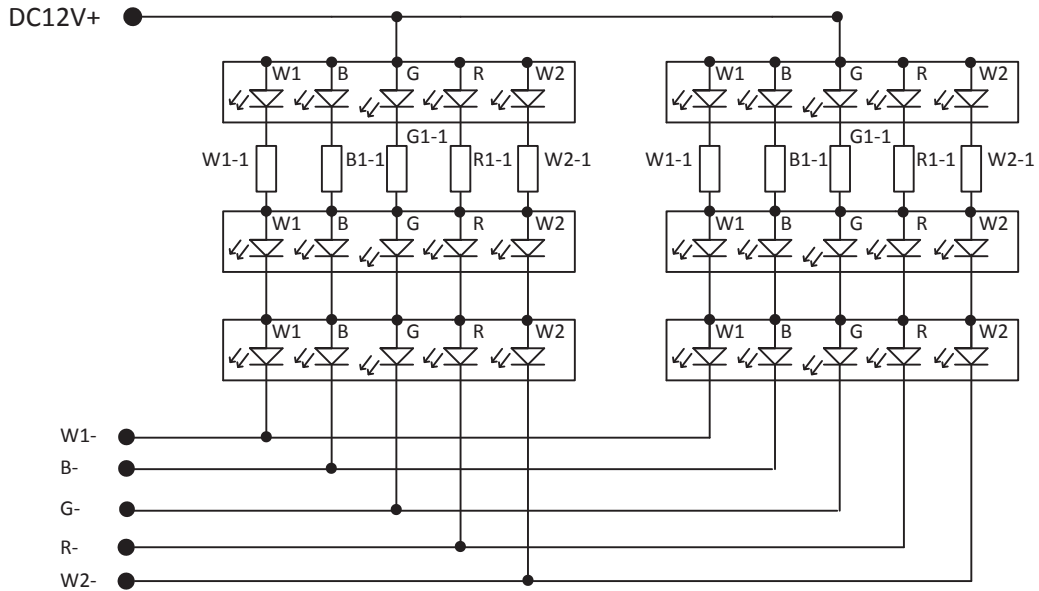
| Serial number | Part Number          | CCT/nm     | CRI       | QTY/M (39.3in) | Luminous per meter | lm/W | working voltage (V)/IF(A) | Rated power (W/M) |
|---------------|----------------------|------------|-----------|----------------|--------------------|------|---------------------------|-------------------|
| 1             | AB-FC02409-LLLWL-XA1 | Warm White | >80       | 60LED          | 246                | 82/W | 24V/0.125A                | 3                 |
|               |                      | Cool White | >80       |                | 264                | 82/W | 24V/0.125A                | 3                 |
|               |                      | Red        | 620-630nm |                | 86                 | 26/W | 24V/0.137A                | 3.3               |
|               |                      | Green      | 520-535nm |                | 201                | 67/W | 24V/0.125A                | 3                 |
|               |                      | Bule       | 465-475nm |                | 51                 | 17/W | 24V/0.125A                | 3                 |
| 2             | AB-FC01209-LLLWL-XA1 | Warm White | >80       | 60LED          | 246                | 82/W | 12V/0.25A                 | 3                 |
|               |                      | Cool White | >80       |                | 264                | 82/W | 12V/0.25A                 | 3                 |
|               |                      | Red        | 620-630nm |                | 86                 | 26/W | 12V/0.27A                 | 3.3               |
|               |                      | Green      | 520-535nm |                | 201                | 67/W | 12V/0.25A                 | 3                 |
|               |                      | Bule       | 465-475nm |                | 51                 | 17/W | 12V/0.25A                 | 3                 |

**Notes:**

1. Luminous flux plus or minus 10% is allowed in the floating.
2. Maximum length current attenuation 15%.
3. Photometric standards are based on CIE eye sensitivity curve diagram test.

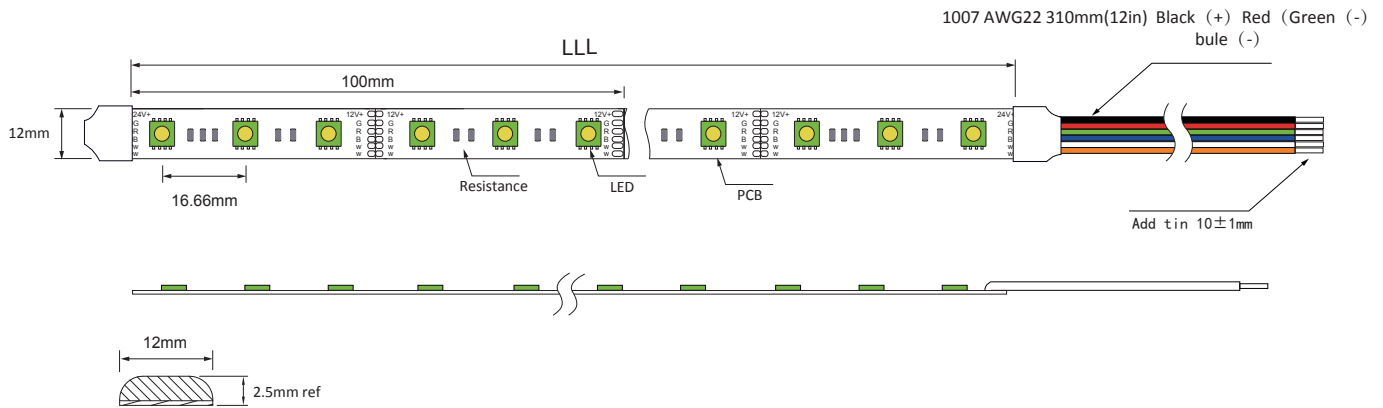
**Schematic diagram:**

**Schematic:**

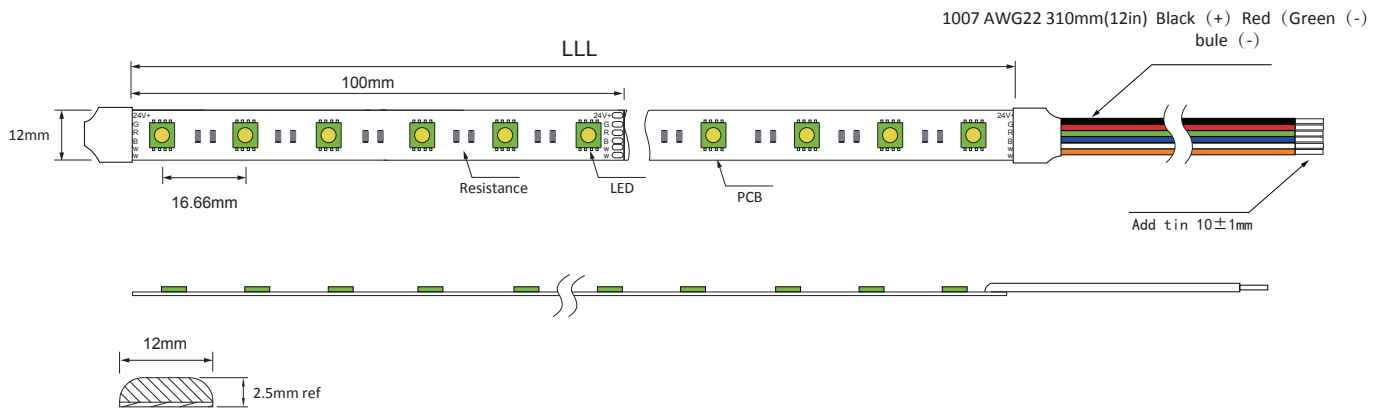


**Product size chart:**

**DC12V**



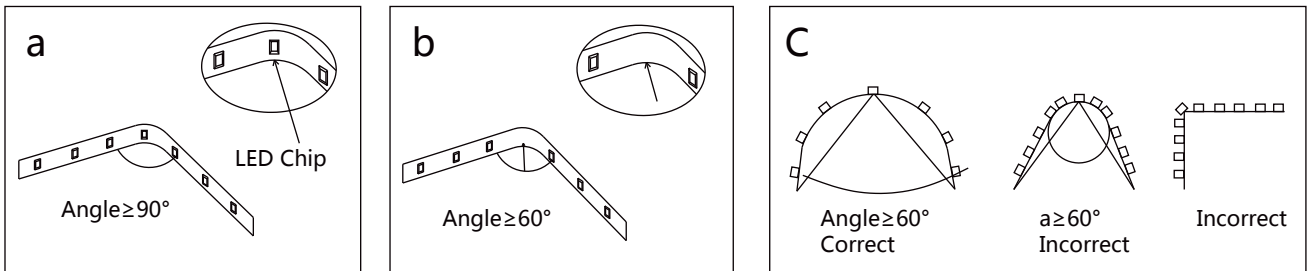
**DC24V**



1. UNIT:MM(IN)

2. COLOR:WHITE

**LED Strip Installation**

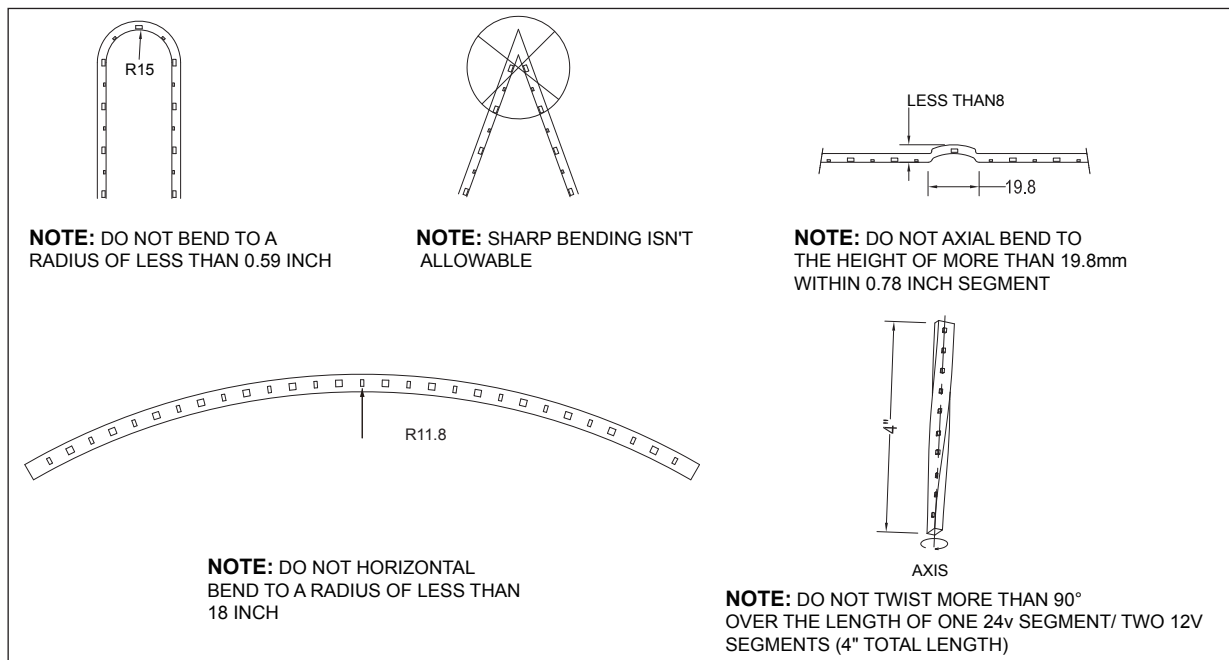


a: use an angle greater or equal to 90 degrees when there is an LED chip on the corner while placing the strip in a concave position ( $\text{Angle} \geq 90^\circ$ )

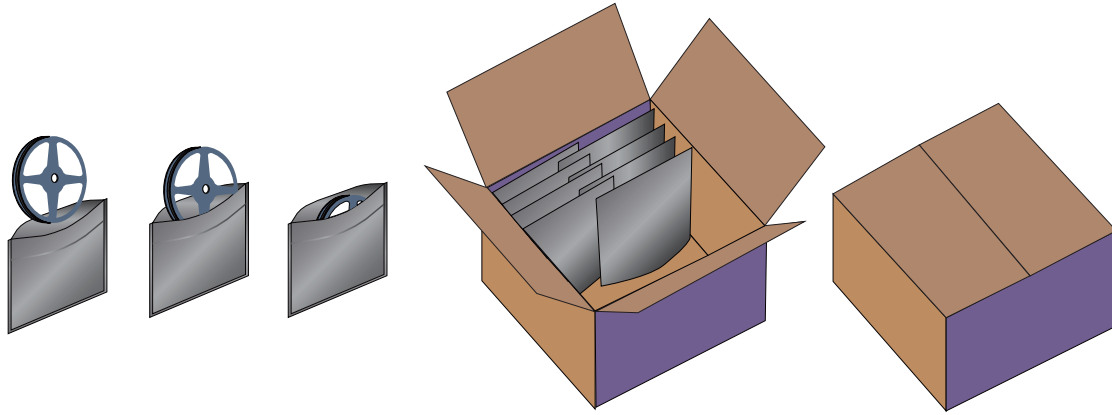
b: use an angle greater or equal to 60 degrees when there is an LED chip on the corner while placing the strip in a concave position ( $\text{Angle} \geq 60^\circ$ )

c: use an angle greater or equal to 60 degrees when there is an LED chip on the corner while placing the strip in a concave position ( $\text{Angle} \geq 60^\circ$ ) In the convex position the angle should not reach 90 degrees. See above diagram.

**Maximum Flexibility Precaution**



## Product packaging



| Model | Part number          | box(pcs) | Ret Weight/box | Gross Weight/box |
|-------|----------------------|----------|----------------|------------------|
| 1     | AB-FCVVV09-LLLWL-XA1 | 10       | 3.1KG          | 3.5KG            |