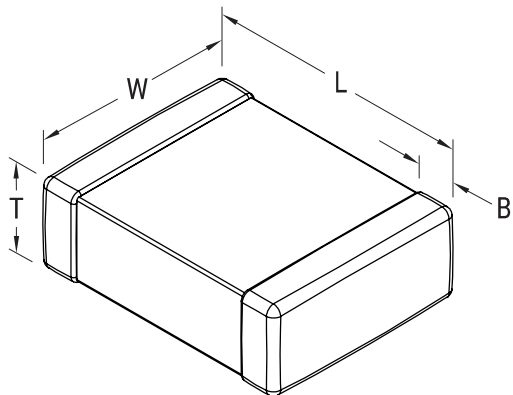


KEMET Part Number: C1210C104J5JACTU
(C1210C104J5JAC7800)

SMD Comm U2J, Ceramic, 0.1 uF, 5%, 50 VDC, U2J, SMD, MLCC, Ultra-Stable, Low Loss, Class I, 1210



Dimensions

L	3.2mm +/-0.2mm
W	2.5mm +/-0.2mm
T	0.9mm +/-0.10mm
B	0.5mm +/-0.25mm

Packaging Specifications

Packaging:	T&R, 180mm, Plastic Tape
Packaging Quantity:	4000

General Information

Supplier:	KEMET
Series:	SMD Comm U2J
Style:	SMD Chip
Description:	SMD, MLCC, Ultra-Stable, Low Loss, Class I
Features:	Ultra-Stable, Low Loss, Class I
RoHS:	Yes
Termination:	Tin
Marking:	No
Miscellaneous:	Note: Referee time for U2J dielectric for this part number is 1000 hours
Chip Size:	1210

Specifications

Capacitance:	0.1 uF
Capacitance Tolerance:	5%
Voltage DC:	50 VDC
Dielectric Withstanding Voltage:	125 VDC
Temperature Range:	-55/+125C
Temperature Coefficient:	U2J
Dissipation Factor:	0.10% 1kHz 25C
Aging Rate:	0.1% Loss/Decade Hour
Insulation Resistance:	10 GOhms