

LM4051-N Precision Micropower Shunt Voltage Reference

1 Features

- No Output Capacitor Required
- Tolerates Capacitive Loads
- Reverse Breakdown Voltage Options of 1.225 V and Adjustable
- Key Specifications:
 - Output Voltage Tolerance (A Grade, 25 °C) $\pm 0.1\%$ (Maximum)
 - Output Noise (10 Hz to 10 kHz) 20 μV rms
 - Operating Current Range: 60 μA to 12 mA
 - Industrial Temp. Range: $-40\text{ }^{\circ}\text{C}$ to $+85\text{ }^{\circ}\text{C}$
 - Extended Temp. Range: $-40\text{ }^{\circ}\text{C}$ to $+125\text{ }^{\circ}\text{C}$
 - Temperature Coefficient: 50 ppm/°C (Maximum)

2 Applications

- Portable, Battery-Powered Equipment
- Data Acquisition Systems
- Instrumentation
- Process Control
- Energy Management
- Automotive and Industrial
- Precision Audio Components
- Base Stations
- Battery Chargers
- Medical Equipment
- Communication

3 Description

Ideal for space critical applications, the LM4051-N precision voltage reference is available in the sub-miniature (3 mm x 1.3 mm) SOT-23 surface-mount package. The LM4051-N's advanced design eliminates the need for an external stabilizing capacitor while ensuring stability with any capacitive load, thus making the LM4051-N easy to use. Further reducing design effort is the availability of a fixed (1.225V) and adjustable reverse breakdown voltage. The minimum operating current is 60 μA for the LM4051-1.2 and the LM4051-ADJ. Both versions have a maximum operating current of 12 mA.

The LM4051-N comes in three grades (A, B, and C). The best grade devices (A) have an initial accuracy of 0.1%, while the B-grade have 0.2% and the C-grade 0.5%, all with a tempco of 50 ppm/°C guaranteed from $-40\text{ }^{\circ}\text{C}$ to $125\text{ }^{\circ}\text{C}$.

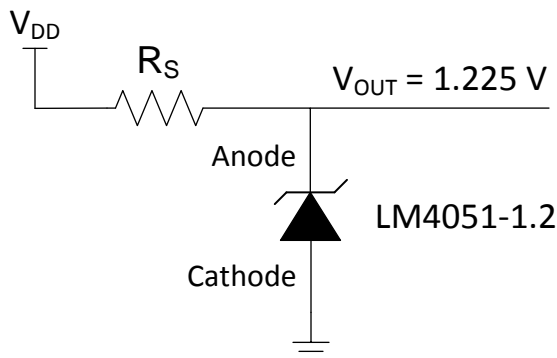
The LM4051-N utilizes fuse and zener-zap trim of reference voltage during wafer sort to ensure that the prime parts have an accuracy of better than $\pm 0.1\%$ (A grade) at 25 °C.

Device Information⁽¹⁾

| PART NUMBER | PACKAGE | BODY SIZE (NOM) |
|-------------|------------|-------------------|
| LM4051-N | SOT-23 (3) | 3.00 mm x 1.30 mm |

(1) For all available packages, see the orderable addendum at the end of the data sheet.

1.2 V_{REF} Simplified Schematic



Adjustable Reference Simplified Schematic

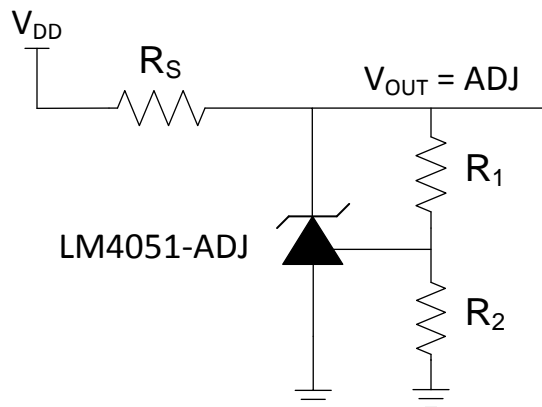


Table of Contents

| | | | |
|--|-----------|--|-----------|
| 1 Features | 1 | 8.3 Feature Description | 10 |
| 2 Applications | 1 | 8.4 Device Functional Modes | 10 |
| 3 Description | 1 | 9 Application and Implementation | 11 |
| 4 Revision History | 2 | 9.1 Application Information | 11 |
| 5 Pin Configuration and Functions | 3 | 9.2 Typical Applications | 12 |
| 6 Specifications | 3 | 9.3 System Examples | 14 |
| 6.1 Absolute Maximum Ratings | 3 | 10 Power Supply Recommendations | 18 |
| 6.2 ESD Ratings | 3 | 11 Layout | 18 |
| 6.3 Recommended Operating Conditions | 4 | 11.1 Layout Guidelines | 18 |
| 6.4 Thermal Information | 4 | 11.2 Layout Example | 18 |
| 6.5 LM4051-1.2 Electrical Characteristics | 4 | 12 Device and Documentation Support | 19 |
| 6.6 LM4051-ADJ Electrical Characteristics | 5 | 12.1 Receiving Notification of Documentation Updates | 19 |
| 6.7 Typical Characteristics | 7 | 12.2 Community Resources | 19 |
| 7 Parameter Measurement Information | 9 | 12.3 Trademarks | 19 |
| 8 Detailed Description | 10 | 12.4 Electrostatic Discharge Caution | 19 |
| 8.1 Overview | 10 | 12.5 Glossary | 19 |
| 8.2 Functional Block Diagram | 10 | 13 Mechanical, Packaging, and Orderable Information | 19 |

4 Revision History

NOTE: Page numbers for previous revisions may differ from page numbers in the current version.

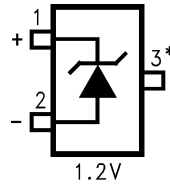
Changes from Revision C (March 2005) to Revision D

Page

- Added *Device Information* table, *Device Comparison* table, *ESD Ratings* table, *Feature Description* section, *Device Functional Modes*, *Application and Implementation* section, *Power Supply Recommendations* section, *Layout* section, *Device and Documentation Support* section, and *Mechanical, Packaging, and Orderable Information* section. **1**

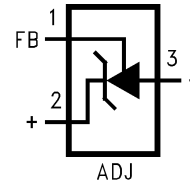
5 Pin Configuration and Functions

DBZ Package
1.2-V, 3-Pin SOT-23
Top View



* This pin must be left floating or connected to pin 2.

DBZ Package
Adjustable, 3-Pin SOT-23
Top View



Pin Functions

| PIN | | | I/O | DESCRIPTION |
|---------|-------|-----|-----|--|
| NAME | 1.2 V | ADJ | | |
| Anode | 2 | 3 | O | Shunt Current/Voltage input |
| Cathode | 1 | 2 | I/O | Common pin, normally connected to ground |
| NC | 3 | - | - | Must float or connect to anode |
| FB | - | 1 | I | Threshold relative to cathode |

6 Specifications

6.1 Absolute Maximum Ratings

over operating free-air temperature range (unless otherwise noted)⁽¹⁾

| | MIN | MAX | UNIT |
|--|--------------------------|-----|------|
| Reverse current | | 20 | mA |
| Forward current | | 10 | mA |
| Maximum output voltage (LM4051-ADJ) | | 15 | V |
| Power dissipation ($T_A = 25^\circ\text{C}$) ⁽²⁾ M3 package | | 280 | mW |
| Lead temperature M3 packages | Vapor phase (60 seconds) | 215 | °C |
| | Infrared (15 seconds) | 220 | |
| Storage temperature, T_{stg} | -65 | 150 | °C |

- (1) Stresses beyond those listed under *Absolute Maximum Ratings* may cause permanent damage to the device. These are stress ratings only, which do not imply functional operation of the device at these or any other conditions beyond those indicated under *Recommended Operating Conditions*. Exposure to absolute-maximum-rated conditions for extended periods may affect device reliability.
- (2) The maximum power dissipation must be derated at elevated temperatures and is dictated by T_{Jmax} (maximum junction temperature), θ_{JA} (junction to ambient thermal resistance), and T_A (ambient temperature). The maximum allowable power dissipation at any temperature is $P_{\text{Dmax}} = (T_{\text{Jmax}} - T_A) / \theta_{\text{JA}}$ or the number given in the *Absolute Maximum Ratings*, whichever is lower. For the LM4051-N, $T_{\text{Jmax}} = 125^\circ\text{C}$, and the typical thermal resistance (θ_{JA}), when board mounted, is 280°C/W for the SOT-23 package.

6.2 ESD Ratings

| | VALUE | UNIT |
|--|--|-------|
| $V_{\text{(ESD)}}$ Electrostatic discharge | Human-body model (HBM), per ANSI/ESDA/JEDEC JS-001 ⁽¹⁾⁽²⁾ | ±2000 |
| | Machine model (MM) ⁽³⁾ | 200 |

- (1) JEDEC document JEP155 states that 500-V HBM allows safe manufacturing with a standard ESD control process.
- (2) The human body model is a 100-pF capacitor discharged through a 1.5-k Ω resistor into each pin.
- (3) The machine model is a 200-pF capacitor discharged directly into each pin.

6.3 Recommended Operating Conditions

over operating free-air temperature range (unless otherwise noted)

| | | MIN | NOM | MAX | UNIT |
|---|------------------------|------|-----|-----|------|
| Temperature ($T_{\min} \leq T_A \leq T_{\max}$) | Industrial temperature | -40 | | 85 | °C |
| | Extended temperature | -40 | | 125 | |
| Reverse current | LM4051-1.2 | 0.06 | | 12 | mA |
| | LM4051-ADJ | 0.06 | | 12 | |
| Output voltage | LM4051-ADJ | 1.24 | | 10 | V |

6.4 Thermal Information

| THERMAL METRIC ⁽¹⁾ | | LM4051-ADJ, LM4051-1.2 V | UNIT |
|-------------------------------|--|-----------------------------|------|
| | | DBZ | |
| | | 3 PINS | |
| $R_{\theta JA}$ | Junction-to-ambient thermal resistance | 214.7 | °C/W |
| $R_{\theta JC(top)}$ | Junction-to-case (top) thermal resistance | 76.4 | °C/W |
| $R_{\theta JB}$ | Junction-to-board thermal resistance | 41.3 | °C/W |
| Ψ_{JT} | Junction-to-top characterization parameter | 2.0 | °C/W |
| Ψ_{JB} | Junction-to-board characterization parameter | 40.9 | °C/W |

(1) For more information about traditional and new thermal metrics, see the [Semiconductor and IC Package Thermal Metrics](#) application report.

6.5 LM4051-1.2 Electrical Characteristics

over operating free-air temperature range (unless otherwise noted)

| PARAMETER | | TEST CONDITIONS | | MIN | TYP | MAX | UNIT |
|--|--|--|--------------------------------------|---------------------|-----|----------------------|------|
| V_R | Reverse Breakdown Voltage | $I_R = 100 \mu A$ | | 1.225 | | | V |
| | Reverse Breakdown Voltage Tolerance ⁽¹⁾ | $I_R = 100 \mu A$ | LM4051AIM3 ⁽²⁾ | | | ±1.2 | mV |
| | | | LM4051BIM3 LM4051BEM3 ⁽²⁾ | | | ±2.4 | |
| | | | LM4051CIM3 ⁽²⁾ | | | ±6 | |
| | | Industrial Temp. Range $T_A = T_J = T_{\min}$ to T_{\max} | LM4051AIM3 ⁽²⁾ | | | ±5.2 ⁽¹⁾ | |
| | | | LM4051BIM3 ⁽²⁾ | | | ±6.4 ⁽¹⁾ | |
| | | | LM4051CIM3 ⁽²⁾ | | | ±10.1 ⁽¹⁾ | |
| Extended Temp. Range $T_A = T_J = T_{\min}$ to T_{\max} | LM4051BEM3 ⁽²⁾ | | | ±8.6 ⁽¹⁾ | | | |
| I_{RMIN} | Minimum Operating Current | $T_J = 25^\circ C$ | | 39 | | µA | |
| | | Industrial Temp. Range $T_A = T_J = T_{\min}$ to T_{\max} | | 65 | | | |
| | | Extended Temp. Range $T_A = T_J = T_{\min}$ to T_{\max} | | 70 | | | |

(1) This overtemperature limit for Reverse Breakdown Voltage Tolerance is defined as the room temperature Reverse Breakdown Voltage Tolerance $\pm [(\Delta VR/\Delta T)(\max \Delta T)(VR)]$. Where, $\Delta VR/\Delta T$ is the VR temperature coefficient, $\max \Delta T$ is the maximum difference in temperature from the reference point of 25°C to TMAX or TMIN, and VR is the reverse breakdown voltage. The total overtemperature tolerance for the different grades in the industrial temperature range where $\max \Delta T = 65^\circ C$ is shown below:

- (a) A-grade: $\pm 0.425\% = \pm 0.1\% \pm 50 \text{ ppm}/^\circ C \times 65^\circ C$
- (b) B-grade: $\pm 0.525\% = \pm 0.2\% \pm 50 \text{ ppm}/^\circ C \times 65^\circ C$
- (c) C-grade: $\pm 0.825\% = \pm 0.5\% \pm 50 \text{ ppm}/^\circ C \times 65^\circ C$

Therefore, as an example, the A-grade LM4051-1.2 has an over-temperature Reverse Breakdown Voltage tolerance of $\pm 1.2V \times 0.425\% = \pm 5.2 \text{ mV}$.

(2) Limits are 100% production tested at 25°C. Limits over temperature are guaranteed through correlation using Statistical Quality Control (SQC) methods. The limits are used to calculate National's AOQL.

LM4051-1.2 Electrical Characteristics (continued)

over operating free-air temperature range (unless otherwise noted)

| PARAMETER | | TEST CONDITIONS | | MIN | TYP | MAX | UNIT |
|-------------------------|--|---|---|-----|----------|----------------|---------------------|
| $\Delta V_R/\Delta T$ | Average Reverse Breakdown Voltage Temperature Coefficient ⁽¹⁾ | $I_R = 10 \text{ mA}$ | | | ± 20 | | ppm/°C |
| | | $I_R = 1 \text{ mA}$ | | | ± 15 | | |
| | | $I_R = 100 \mu\text{A}$ | $T_J = 25^\circ\text{C}$ | | ± 15 | | |
| | | $\Delta T = -40^\circ\text{C to } 125^\circ\text{C}$ | | | | $\pm 50^{(1)}$ | |
| $\Delta V_R/\Delta I_R$ | Reverse Breakdown Voltage Change with Operating Current Change | $I_{RMIN} \leq I_R \leq 1 \text{ mA}$ | $T_J = 25^\circ\text{C}$ | | 0.3 | | mV |
| | | | Industrial Temp. Range $T_A = T_J = T_{MIN} \text{ to } T_{MAX}$ | | | $1.1^{(1)}$ | |
| | | | Extended Temp. Range $T_A = T_J = T_{MIN} \text{ to } T_{MAX}$ | | | $1.5^{(1)}$ | |
| | | $1 \text{ mA} \leq I_R \leq 12 \text{ mA}$ | $T_J = 25^\circ\text{C}$ | | 1.8 | | |
| | | | Industrial Temp. Range $T_A = T_J = T_{MIN} \text{ to } T_{MAX}$ | | | $6^{(1)}$ | |
| | | | Extended Temp. Range $T_A = T_J = T_{MIN} \text{ to } T_{MAX}$ | | | $8^{(1)}$ | |
| Z_R | Reverse Dynamic Impedance | $I_R = 1 \text{ mA}, f = 120 \text{ Hz}$ | | | 0.5 | | Ω |
| e_N | Wideband Noise | $I_R = 100 \mu\text{A}$ $10 \text{ Hz} \leq f \leq 10 \text{ kHz}$ | | | 20 | | μV_{rms} |
| ΔV_R | Reverse Breakdown Voltage Long Term Stability ⁽³⁾ | $t = 1000 \text{ hrs}, T = 25^\circ\text{C} \pm 0.1^\circ\text{C}, I_R = 100 \mu\text{A}$ | | | 120 | | ppm |
| V_{HYST} | Thermal Hysteresis ⁽⁴⁾ | $\Delta T = -40^\circ\text{C to } 125^\circ\text{C}$ | | | 0.36 | | mV/V |

(3) Long-term stability is V_R at 25°C measured during 1000 hrs.

(4) Thermal hysteresis is defined as the difference in voltage measured at $+25^\circ\text{C}$ after cycling to temperature -40°C and the 25°C measurement after cycling to temperature $+125^\circ\text{C}$.

6.6 LM4051-ADJ Electrical Characteristics

over operating free-air temperature range (unless otherwise noted)

| PARAMETER | | TEST CONDITIONS | | MIN | TYP | MAX | UNIT |
|-----------|---|---|---------------------------|-----|-------|------------|------|
| V_{REF} | Reference Voltage | $I_R = 100 \mu\text{A}, V_{OUT} = 5 \text{ V}$ | | | 1.212 | | V |
| | Reference Voltage Tolerance ⁽¹⁾⁽²⁾ | $I_R = 100 \mu\text{A}, V_{OUT} = 5 \text{ V}$ | LM4051AIM3 ⁽³⁾ | | | ± 1.2 | |
| | | | LM4051BIM3 ⁽³⁾ | | | ± 2.4 | |
| | | | LM4051CIM3 ⁽³⁾ | | | ± 6 | |
| | | Industrial Temp. Range $T_A = T_J = T_{MIN} \text{ to } T_{MAX}$ | LM4051AIM3 ⁽³⁾ | | | ± 5.2 | |
| | | | LM4051BIM3 ⁽³⁾ | | | ± 6.4 | |
| | | | LM4051CIM3 ⁽³⁾ | | | ± 10.1 | |

(1) This overtemperature limit for Reverse Breakdown Voltage Tolerance is defined as the room temperature Reverse Breakdown Voltage Tolerance $\pm [(\Delta V_R/\Delta T)(\max\Delta T)(V_R)]$. Where, $\Delta V_R/\Delta T$ is the V_R temperature coefficient, $\max\Delta T$ is the maximum difference in temperature from the reference point of 25°C to T_{MAX} or T_{MIN} , and V_R is the reverse breakdown voltage. The total overtemperature tolerance for the different grades in the industrial temperature range where $\max\Delta T = 65^\circ\text{C}$ is shown below:

(a) A-grade: $\pm 0.425\% = \pm 0.1\% \pm 50 \text{ ppm}/^\circ\text{C} \times 65^\circ\text{C}$

(b) B-grade: $\pm 0.525\% = \pm 0.2\% \pm 50 \text{ ppm}/^\circ\text{C} \times 65^\circ\text{C}$

(c) C-grade: $\pm 0.825\% = \pm 0.5\% \pm 50 \text{ ppm}/^\circ\text{C} \times 65^\circ\text{C}$

Therefore, as an example, the A-grade LM4051-1.2 has an overtemperature Reverse Breakdown Voltage tolerance of $\pm 1.2 \text{ V} \times 0.425\% = \pm 5.2 \text{ mV}$.

(2) Reference voltage and temperature coefficient will change with output voltage. See [Typical Characteristics](#) curves.

(3) Limits are 100% production tested at 25°C . Limits over temperature are ensured through correlation using Statistical Quality Control (SQC) methods. The limits are used to calculate National's AOQL.

LM4051-ADJ Electrical Characteristics (continued)

over operating free-air temperature range (unless otherwise noted)

| PARAMETER | | TEST CONDITIONS | | MIN | TYP | MAX | UNIT |
|-------------------------------------|--|---|--|--|----------------|------------------|-----------------------------|
| I_{RMIN} | Minimum Operating Current | LM4051AIM3 ⁽⁴⁾ | | 36 | | μA | |
| | | LM4051BIM3 ⁽⁴⁾ | | 36 | | | |
| | | LM4051CIM3 ⁽⁴⁾ | | 36 | | | |
| | | Industrial Temp. Range $T_A = T_J = T_{MIN}$ to T_{MAX} | LM4051AIM3 ⁽³⁾ | 60 | | | |
| LM4051BIM3 ⁽³⁾ | 60 | | | | | | |
| LM4051CIM3 ⁽³⁾ | 65 | | | | | | |
| $\frac{\Delta V_{REF}}{\Delta I_R}$ | Reference Voltage Change with Operating Current Change | $I_{RMIN} \leq I_R \leq 1 \text{ mA}$ $V_{OUT} \geq 1.6 \text{ V}^{(5)}$ | $T_J = 25^\circ\text{C}$ | 0.3 | | mV | |
| | | | Industrial Temp. Range $T_A = T_J = T_{MIN}$ to T_{MAX} | 1.1 ⁽¹⁾ | | | |
| | | $1 \text{ mA} \leq I_R \leq 12 \text{ mA}$ $V_{OUT} \geq 1.6 \text{ V}^{(5)}$ | $T_J = 25^\circ\text{C}$ | 0.6 | | | |
| | | | Industrial Temp. Range $T_A = T_J = T_{MIN}$ to T_{MAX} | 6 ⁽¹⁾ | | | |
| $\frac{\Delta V_{REF}}{\Delta V_O}$ | Reference Voltage Change with Output Voltage Change | $I_R = 0.1 \text{ mA}$ | $T_J = 25^\circ\text{C}$ | -1.69 | | mV | |
| | | | Industrial Temp. Range $T_A = T_J = T_{MIN}$ to T_{MAX} | -2.8 ⁽¹⁾ | | | |
| I_{FB} | Feedback Current | | | 70 | 130 | nA | |
| $\frac{\Delta V_{REF}}{\Delta T}$ | Average Reference Voltage Temperature Coefficient (Note 8) | $V_{OUT} = 2.5 \text{ V}$ $\Delta T = -40^\circ\text{C}$ to $+125^\circ\text{C}$ | $I_R = 10 \text{ mA}$ | $T_J = 25^\circ\text{C}$ | 20 | | $\text{ppm}/^\circ\text{C}$ |
| | | | | Industrial Temp. Range $T_A = T_J = T_{MIN}$ to T_{MAX} | $\pm 50^{(1)}$ | | |
| | | | $I_R = 1 \text{ mA}$ | $T_J = 25^\circ\text{C}$ | 15 | | |
| | | | | Industrial Temp. Range $T_A = T_J = T_{MIN}$ to T_{MAX} | $\pm 50^{(1)}$ | | |
| $I_R = 100 \mu\text{A}$ | $T_J = 25^\circ\text{C}$ | 15 | | | | | |
| | Industrial Temp. Range $T_A = T_J = T_{MIN}$ to T_{MAX} | $\pm 50^{(1)}$ | | | | | |
| Z_{OUT} | Dynamic Output Impedance | $I_R = 1 \text{ mA}$, $f = 120 \text{ Hz}$, $I_{AC} = 0.1 I_R$ | $V_{OUT} = V_{REF}$ | 0.3 | | Ω | |
| | | | $V_{OUT} = 10 \text{ V}$ | 2 | | | |
| e_N | Wideband Noise | $I_R = 100 \mu\text{A}$, $V_{OUT} = V_{REF}$, $10 \text{ Hz} \leq f \leq 10 \text{ kHz}$ | | 20 | | μVrms | |
| ΔV_{REF} | Reference Voltage Long Term Stability ⁽⁶⁾ | $t = 1000 \text{ hrs}$, $I_R = 100 \mu\text{A}$, $T = 25^\circ\text{C} \pm 0.1^\circ\text{C}$ | | 120 | | ppm | |
| V_{HYST} | Thermal Hysteresis ⁽⁷⁾ | $\Delta T = -40^\circ\text{C}$ to $+125^\circ\text{C}$ | | 0.3 | | mV/V | |

- (4) Limits are 100% production tested at 25°C. Limits over temperature are guaranteed through correlation using Statistical Quality Control (SQC) methods. The limits are used to calculate National's AOQL.
- (5) When $V_{OUT} \leq 1.6 \text{ V}$, the LM4051-ADJ in the SOT-23 package must operate at reduced I_R . This is caused by the series resistance of the die attach between the die (-) output and the package (-) output pin. See the Output Saturation curve in the [Typical Characteristics](#) section.
- (6) Long-term stability is V_R at 25°C measured during 1000 hrs.
- (7) Thermal hysteresis is defined as the difference in voltage measured at +25°C after cycling to temperature -40°C and the 25°C measurement after cycling to temperature +125°C.

6.7 Typical Characteristics

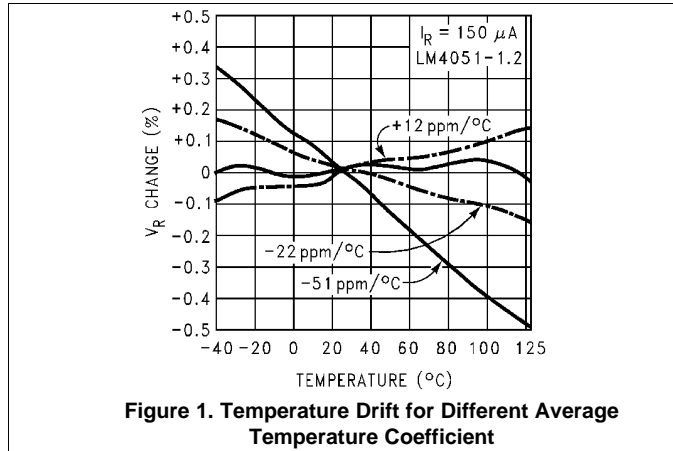


Figure 1. Temperature Drift for Different Average Temperature Coefficient

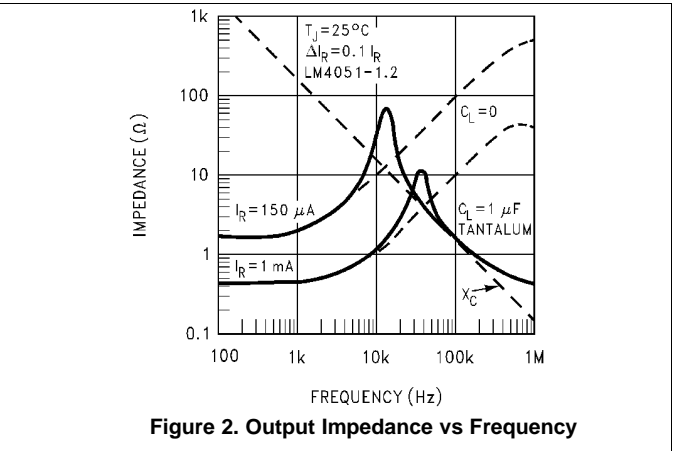


Figure 2. Output Impedance vs Frequency

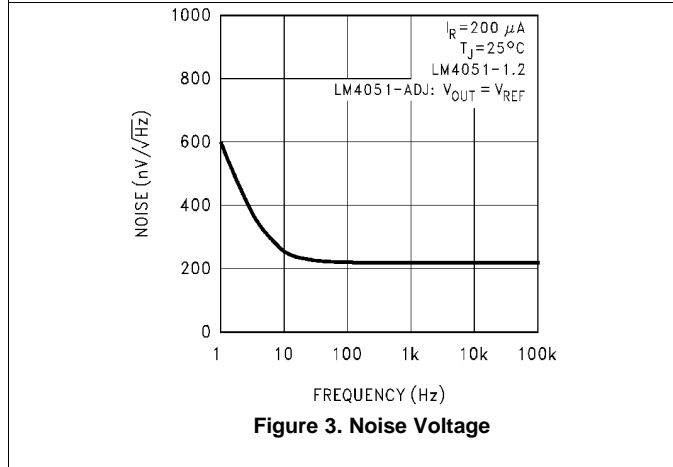


Figure 3. Noise Voltage

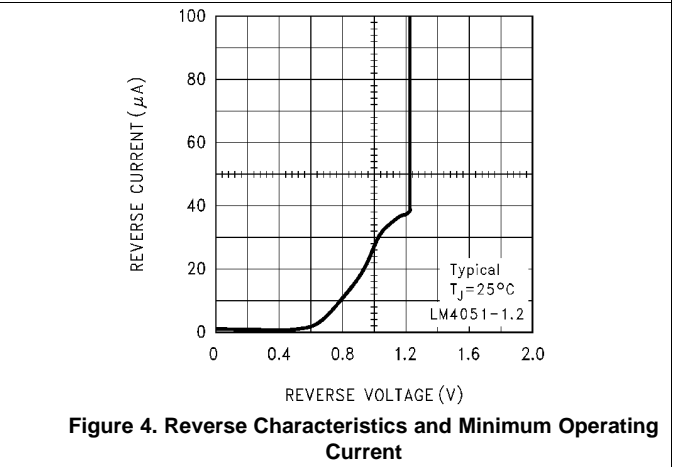


Figure 4. Reverse Characteristics and Minimum Operating Current

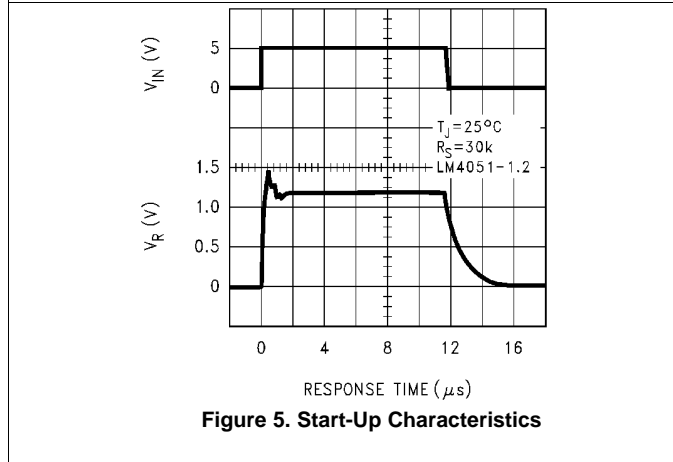


Figure 5. Start-Up Characteristics

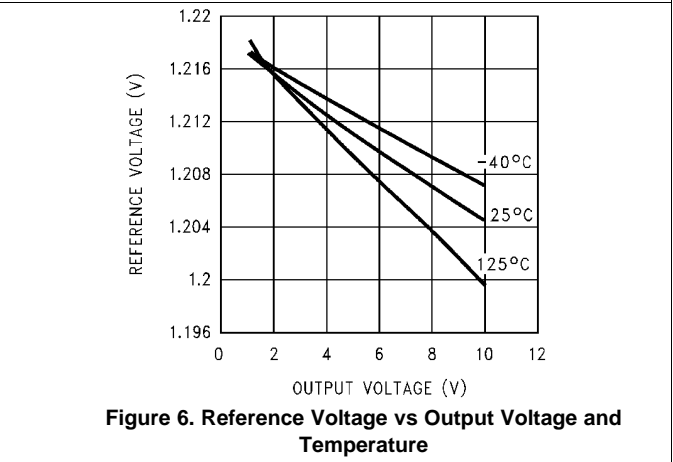


Figure 6. Reference Voltage vs Output Voltage and Temperature

Typical Characteristics (continued)

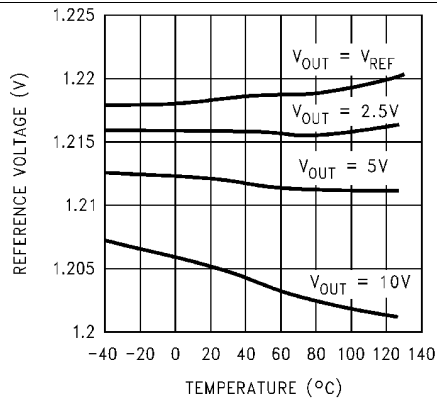


Figure 7. Reference Voltage vs Temperature and Output Voltage

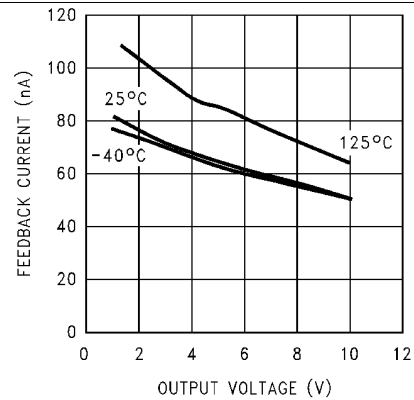


Figure 8. Feedback Current vs Output Voltage and Temperature

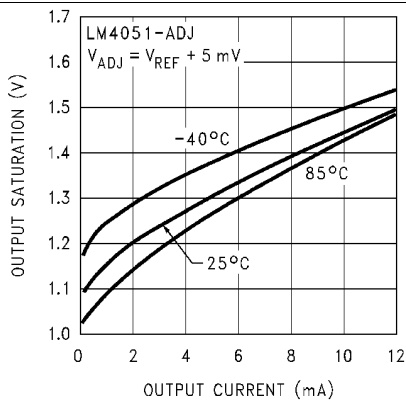


Figure 9. Output Saturation (SOT-23 Only)

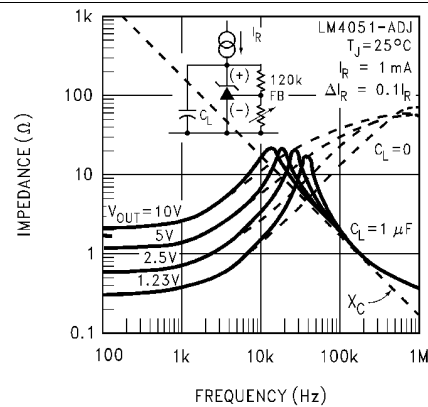


Figure 10. Output Impedance vs Frequency

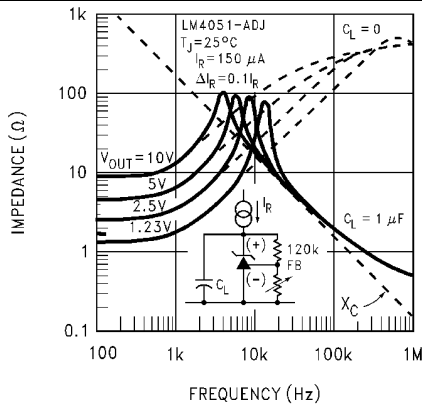


Figure 11. Output Impedance vs Frequency

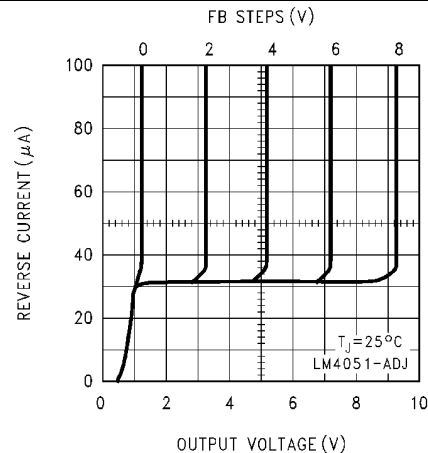
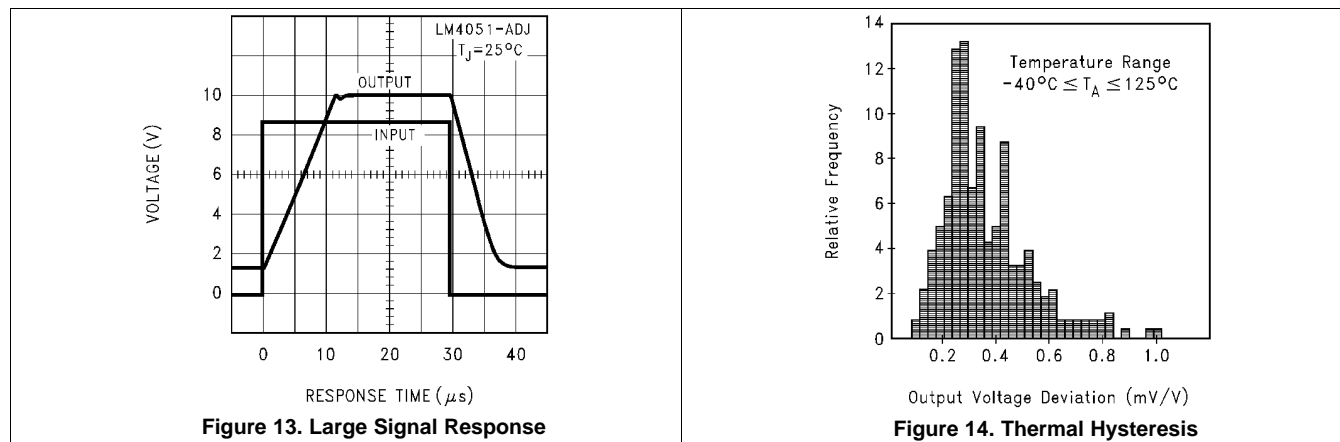


Figure 12. Reverse Characteristics

Typical Characteristics (continued)



7 Parameter Measurement Information

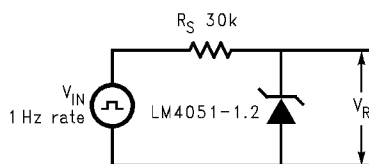


Figure 15. Test Circuit for Start-Up Characteristics

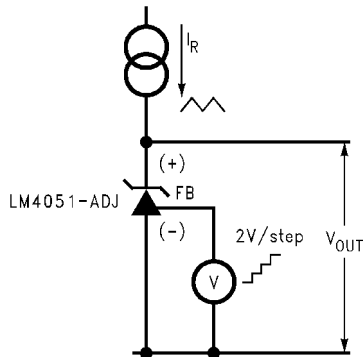


Figure 16. Test Circuit for Reverse Characteristics

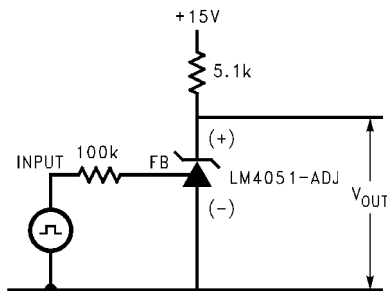


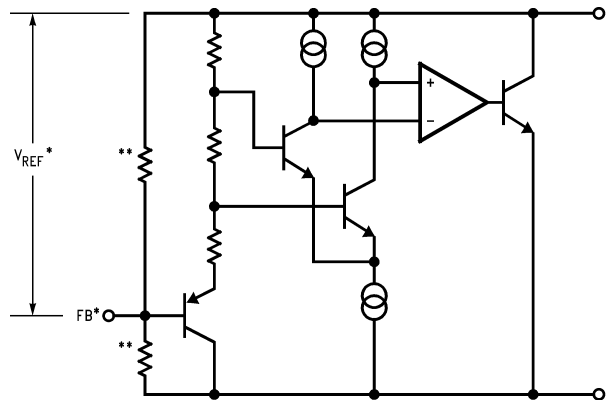
Figure 17. Test Circuit for Large Signal Response

8 Detailed Description

8.1 Overview

The LM4051-N is a precision voltage reference available in SOT-23 surface mount package. The LM4051-N is available in a 1.225 V fixed-option as well as an adjustable voltage option. The LM4051-N comes in three different tolerance grades (A, B, and C). The best grade devices (A) have an initial accuracy of 0.1%, while the B-grade have 0.2% and the C-grade 0.5%, all with a temperature coefficient of 50 ppm/°C guaranteed from -40°C to 125°C.

8.2 Functional Block Diagram



*LM4051-ADJ only

**LM4051-1.2 only

8.3 Feature Description

The LM4051-N device is effectively a precision Zener diode. The part requires a small quiescent current for regulation, and regulates the output voltage by shunting more or less current to ground, depending on input voltage and load. The only external component requirement is a resistor between the cathode and the input voltage to set the input current. An external capacitor can be used on the input or output, but is not required.

For the adjustable version, feedback is applied from the Cathode and Reference pins, the LM4051-N behaves as a Zener diode, regulating to a constant voltage dependent on current being supplied into the cathode. This is due to the internal amplifier and reference entering the proper operating regions. The same amount of current needed in the above feedback situation must be applied to this device in open loop, servo or error amplifying implementations in order for it to be in the proper linear region giving the LM4051-N enough gain.

8.4 Device Functional Modes

8.4.1 LM4051-N - 1.2 V

The LM4051-N - 1.2V device is a fixed output voltage part, where the feedback is internal. Therefore, the part can only operate in a closed loop mode and the output voltage cannot be adjusted. The output voltage will remain in regulation as long as IR is between IR_{MIN} . Proper selection of the external resistor for input voltage range and load current range will ensure these conditions are met.

8.4.2 LM4051-N - ADJ

The majority of applications involving LM4051-N uses closed loop operation to regulate a fixed voltage or current. The feedback enables this device to behave as an error amplifier, computing a portion of the output voltage and adjusting it to maintain the desired regulation. This is done by relating the output voltage back to the reference pin in a manner to make it equal to the internal reference voltage, which can be accomplished via resistive or direct feedback.

9 Application and Implementation

NOTE

Information in the following applications sections is not part of the TI component specification, and TI does not warrant its accuracy or completeness. TI's customers are responsible for determining suitability of components for their purposes. Customers should validate and test their design implementation to confirm system functionality.

9.1 Application Information

The LM4051-N is a precision micro-power curvature-corrected bandgap shunt voltage reference. For space critical applications, the LM4051-N is available in the sub-miniature SOT-23 surface-mount package. The LM4051-N has been designed for stable operation without the need of an external capacitor connected between the “+” pin and the “-” pin. If, however, a bypass capacitor is used, the LM4051-N remains stable. Design effort is further reduced with the choice of either a fixed 1.2-V or an adjustable reverse breakdown voltage. The minimum operating current is 60 μ A for the LM4051-1.2 and the LM4051-ADJ. Both versions have a maximum operating current of 12 mA.

LM4051-N's using the SOT-23 package have pin 3 connected as the (-) output through the package's die attach interface. Therefore, the LM4051-1.2's pin 3 must be left floating or connected to pin 2 and the LM4051-ADJ's pin 3 is the (-) output.

The typical thermal hysteresis specification is defined as the change in +25 $^{\circ}$ C voltage measured after thermal cycling. The device is thermal cycled to temperature -40 $^{\circ}$ C and then measured at 25 $^{\circ}$ C. Next the device is thermal cycled to temperature +125 $^{\circ}$ C and again measured at 25 $^{\circ}$ C. The resulting V_{OUT} delta shift between the 25 $^{\circ}$ C measurements is thermal hysteresis. Thermal hysteresis is common in precision references and is induced by thermal-mechanical package stress. Changes in environmental storage temperature, operating temperature and board mounting temperature are all factors that can contribute to thermal hysteresis.

In a conventional shunt regulator application ([Figure 18](#)), an external series resistor (R_S) is connected between the supply voltage and the LM4051-N. R_S determines the current that flows through the load (I_L) and the LM4051-N (I_Q). Since load current and supply voltage may vary, R_S should be small enough to supply at least the minimum acceptable I_Q to the LM4051-N even when the supply voltage is at its minimum and the load current is at its maximum value. When the supply voltage is at its maximum and I_L is at its minimum, R_S should be large enough so that the current flowing through the LM4051-N is less than 12 mA.

R_S should be selected based on the supply voltage, (V_S), the desired load and operating current, (I_L and I_Q), and the LM4051-N's reverse breakdown voltage, V_R .

$$R_S = \frac{V_S - V_R}{I_L + I_Q} \quad (1)$$

The LM4051-ADJ's output voltage can be adjusted to any value in the range of 1.24 V through 10 V. It is a function of the internal reference voltage (V_{REF}) and the ratio of the external feedback resistors as shown in [Figure 20](#). The output voltage is found using [Equation 2](#):

$$V_O = V_{REF} \left[\left(\frac{R_2}{R_1} \right) + 1 \right]$$

where

- V_O is the output voltage (2)

$$R_S = \frac{V_S - V_R}{I_L + I_Q + I_F} \quad (3)$$

The actual value of the internal V_{REF} is a function of V_O . The *corrected* V_{REF} is determined by [Equation 4](#):

$$V_{REF} = V_O \left(\Delta V_{REF} / \Delta V_O \right) + V_Y$$

where

- $V_Y = 1.22$ V (4)

Application Information (continued)

$\Delta V_{REF}/\Delta V_O$ is found in the [LM4051-ADJ Electrical Characteristics](#) and is typically -1.55 mV/V. You can get a more accurate indication of the output voltage by replacing the value of V_{REF} in [Equation 2](#) with the value found using [Equation 4](#).

9.2 Typical Applications

9.2.1 Shunt Regulator

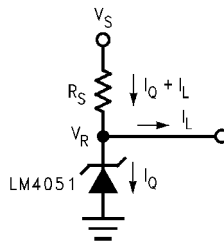


Figure 18. Shunt Regulator

9.2.1.1 Design Requirements

$$V_{IN} > V_{OUT}$$

Select R_S such that:

$$I_{R_{MIN}} < I_R < I_{R_{MAX}} \text{ where } I_{R_{MAX}} = 12 \text{ mA}$$

See [LM4051-1.2 Electrical Characteristics](#) for minimum operating current for each voltage option and grade.

9.2.1.2 Detailed Design Procedure

The resistor R_S must be selected such that current, I_R , will remain in the operational region of the part for the entire V_{IN} range and load current range. The two extremes to consider are V_{IN} at its maximum, and the load at its minimum, where R_S must be large enough to main $I_R < I_{R_{MAX}}$. For most designs, $0.1 \text{ mA} \leq I_R \leq 1 \text{ mA}$ is a good starting point.

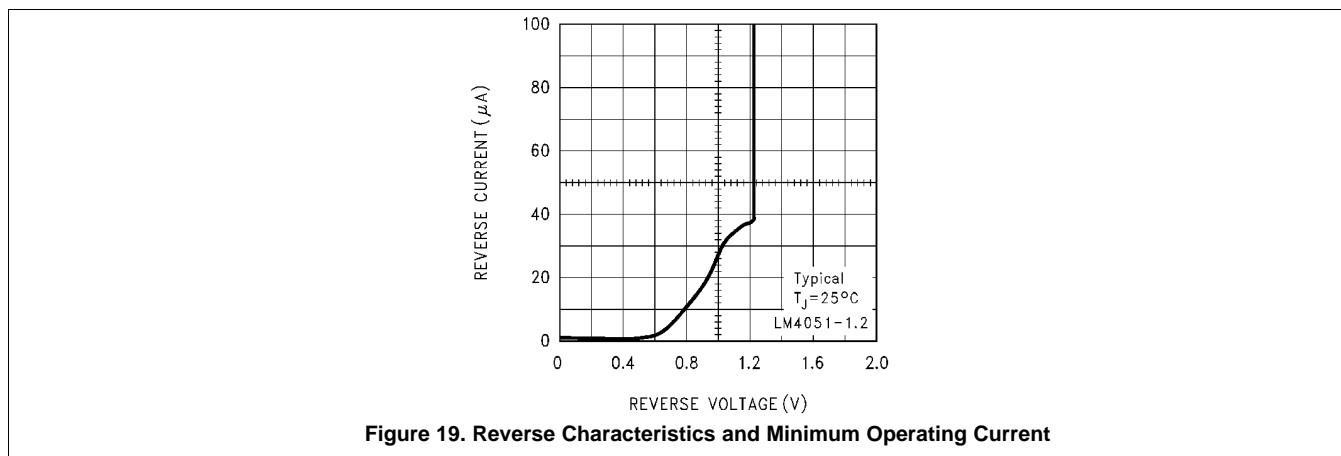
Use cross and cross to set R_S between R_{S_MIN} and R_{S_MAX} .

$$R_{S_MIN} = \frac{V_{IN_MAX} - V_{OUT}}{I_{LOAD_MIN} + I_{R_MAX}} \quad (5)$$

$$R_{S_MAX} = \frac{V_{IN_MIN} - V_{OUT}}{I_{LOAD_MAX} + I_{R_MIN}} \quad (6)$$

Typical Applications (continued)

9.2.1.3 Application Curves



9.2.2 Adjustable Shunt Regulator

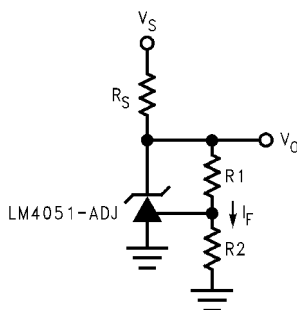


Figure 20. Adjustable Shunt Regulator

9.2.2.1 Design Requirements

$$V_{IN} > V_{OUT}$$

Select R_S such that:

$$I_{RMIN} < I_R < I_{RMAX} \text{ where } I_{RMAX} = 12 \text{ mA}$$

See [LM4051-ADJ Electrical Characteristics](#) for minimum operating current for each voltage option and grade.

9.2.2.2 Detailed Design Procedure

In order to program the cathode voltage to a regulated voltage a resistive bridge must be shunted between the cathode and anode pins with the mid point tied to the reference pin. This can be seen in [Figure 20](#), with R1 & R2 being the resistive bridge. The cathode/output voltage in the shunt regulator configuration can be approximated by the equation shown in [Equation 7](#). The cathode voltage can be more accurately determined by taking in to account the cathode current shown in [Equation 8](#).

$$V_o = \left(1 + \frac{R_1}{R_2}\right) \times V_{REF} \tag{7}$$

$$V_o = \left(1 + \frac{R_1}{R_2}\right) \times (V_{REF} - I_{REF} \times R_1) \tag{8}$$

Typical Applications (continued)

In order for this equation to be valid, LM4051-ADJ must be fully biased so that it has enough open loop gain to mitigate any gain error. This can be done by meeting the I_{RMIN} denoted in [LM4051-ADJ Electrical Characteristics](#).

9.3 System Examples

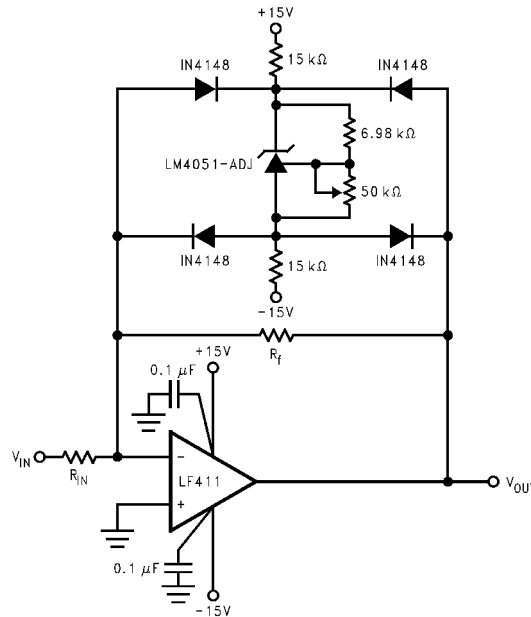


Figure 21. Bounded Amplifier Reduces Saturation-induced Delays and Can Prevent Succeeding Stage Damage. Nominal Clamping Voltage is $\pm V_O$ (LM4051-N's Reverse Breakdown Voltage) + 2 Diode V_F .

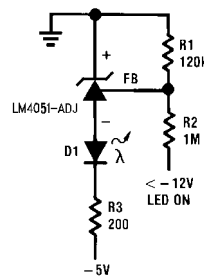


Figure 22. Voltage Level Detector

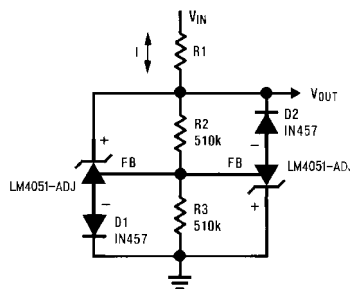


Figure 23. Voltage Level Detector

System Examples (continued)

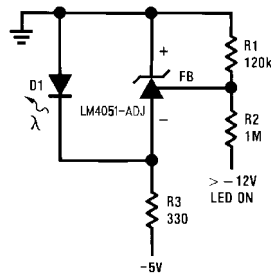


Figure 24. Fast Positive Clamp $2.4V + V_{D1}$

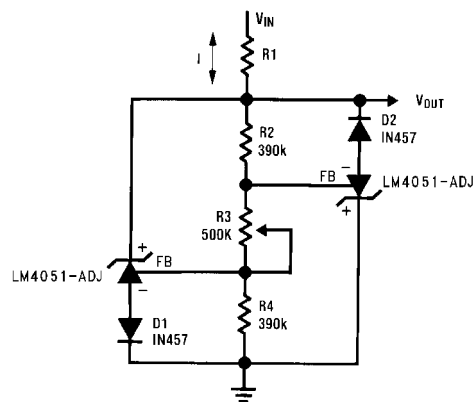


Figure 25. Bidirectional Clamp $\pm 2.4V$

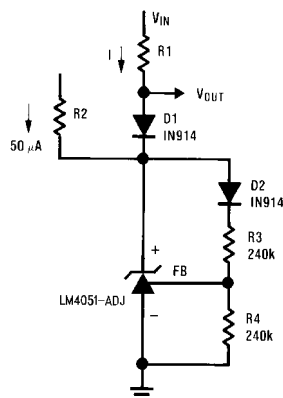


Figure 26. Bidirectional Adjustable Clamp $\pm 18V$ to $\pm 2.4V$

System Examples (continued)

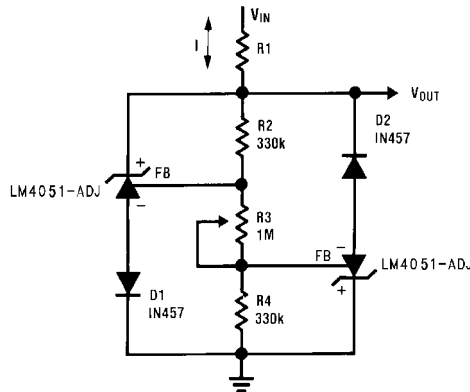


Figure 27. Bidirectional Adjustable Clamp ± 2.4V to ± 6V

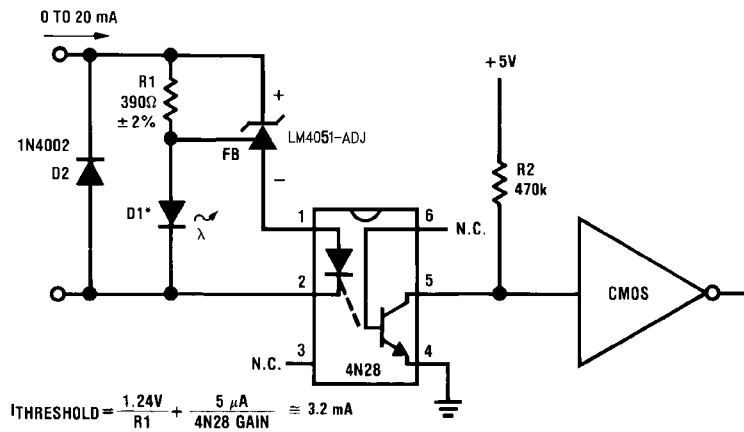
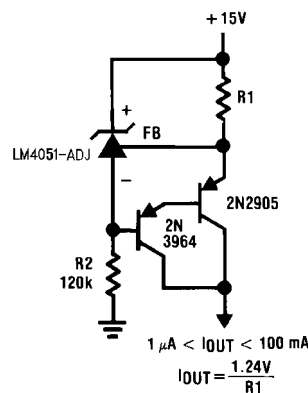


Figure 28. Simple Floating Current Detector



*D1 can be any LED, $V_F = 1.5V$ to $2.2V$ at 3 mA . D1 may act as an indicator. D1 will be on if $I_{THRESHOLD}$ falls below the threshold current, except with $I = 0$.

Figure 29. Current Source

System Examples (continued)

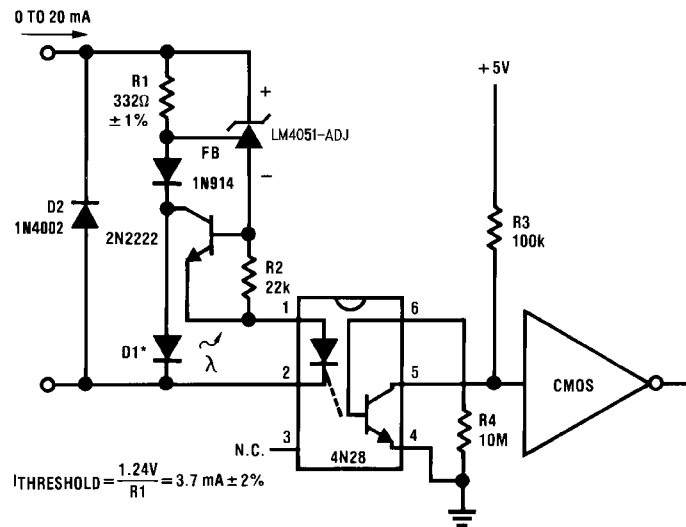


Figure 30. Precision Floating Current Detector

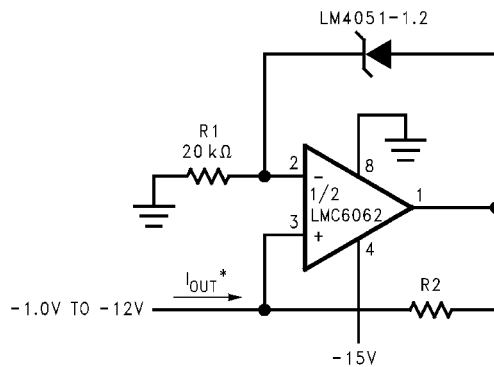


Figure 31. Precision 1 μA to 1 mA Current Source

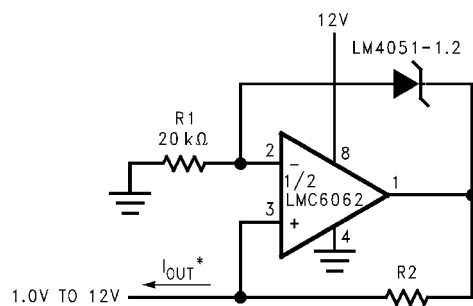


Figure 32. Precision 1 μA to 1 mA Current Source

10 Power Supply Recommendations

While a bypass capacitor is not required on the input voltage line, TI recommends reducing noise on the input which could affect the output. A 0.1- μF ceramic capacitor or larger is recommended.

In order to not exceed the maximum cathode current, be sure that the supply current is limited. For applications shunting high currents, pay attention to the cathode and anode trace lengths, adjusting the width of the traces to have proper current density.

11 Layout

11.1 Layout Guidelines

Bypass capacitors should be placed as close to the device as possible. Current-carrying traces need to have widths appropriate for the amount of current they are carrying. Place R_S as close as possible to the cathode. Although not as critical, keep feedback resistor close to the device whenever possible.

11.2 Layout Example

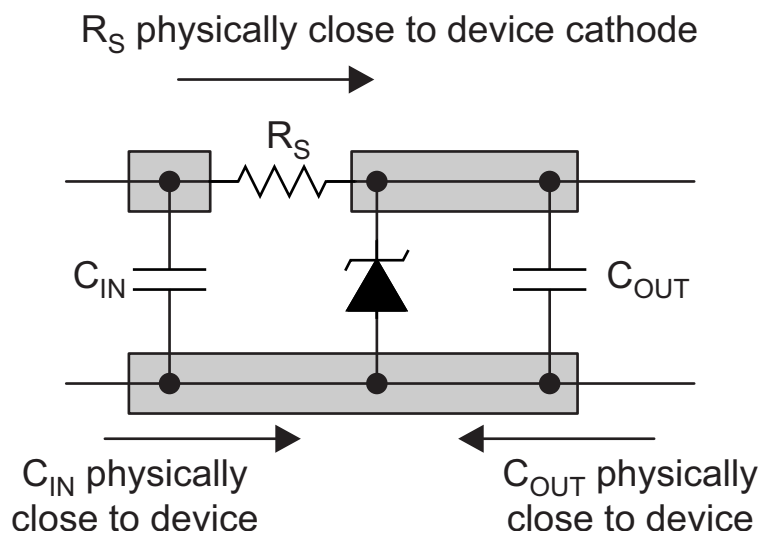


Figure 33. Layout Diagram

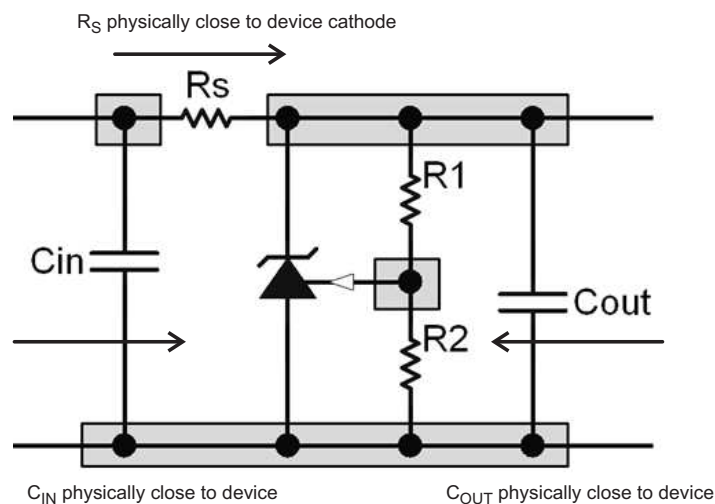


Figure 34. Feedback Resistors Layout Diagram

12 Device and Documentation Support

12.1 Receiving Notification of Documentation Updates

To receive notification of documentation updates, navigate to the device product folder on ti.com. In the upper right corner, click on *Alert me* to register and receive a weekly digest of any product information that has changed. For change details, review the revision history included in any revised document.

12.2 Community Resources

The following links connect to TI community resources. Linked contents are provided "AS IS" by the respective contributors. They do not constitute TI specifications and do not necessarily reflect TI's views; see TI's [Terms of Use](#).

TI E2E™ Online Community *TI's Engineer-to-Engineer (E2E) Community*. Created to foster collaboration among engineers. At e2e.ti.com, you can ask questions, share knowledge, explore ideas and help solve problems with fellow engineers.

Design Support *TI's Design Support* Quickly find helpful E2E forums along with design support tools and contact information for technical support.

12.3 Trademarks

E2E is a trademark of Texas Instruments.
All other trademarks are the property of their respective owners.

12.4 Electrostatic Discharge Caution



This integrated circuit can be damaged by ESD. Texas Instruments recommends that all integrated circuits be handled with appropriate precautions. Failure to observe proper handling and installation procedures can cause damage.

ESD damage can range from subtle performance degradation to complete device failure. Precision integrated circuits may be more susceptible to damage because very small parametric changes could cause the device not to meet its published specifications.

12.5 Glossary

[SLYZ022](#) — *TI Glossary*.

This glossary lists and explains terms, acronyms, and definitions.

13 Mechanical, Packaging, and Orderable Information

The following pages include mechanical, packaging, and orderable information. This information is the most current data available for the designated devices. This data is subject to change without notice and revision of this document. For browser-based versions of this data sheet, refer to the left-hand navigation.

Table 1. SOT-23 Package Marking Information

| PART MARKING | FIELD DEFINITION | | |
|--------------|-------------------------------|---|--|
| RHA RIA | First Field: R = Reference | Second Field: H = 1.225-V Voltage Option I = Adjustable | Third Field: A-C = Initial Reserved Breakdown Voltage or Reference Voltage Tolerance A = ±0.1%, B = ±0.2%, C = ±0.5% |
| RHB RIB | | | |
| RHC RIC | | | |

PACKAGING INFORMATION

| Orderable Device | Status (1) | Package Type | Package Drawing | Pins | Package Qty | Eco Plan (2) | Lead finish/ Ball material (6) | MSL Peak Temp (3) | Op Temp (°C) | Device Marking (4/5) | Samples |
|----------------------|---------------|--------------|-----------------|------|-------------|-----------------|--------------------------------------|----------------------|--------------|-------------------------|-------------------------|
| LM4051AIM3-1.2/NOPB | ACTIVE | SOT-23 | DBZ | 3 | 3000 | RoHS & Green | SN | Level-1-260C-UNLIM | -40 to 85 | RHA | Samples |
| LM4051AIM3-ADJ/NOPB | ACTIVE | SOT-23 | DBZ | 3 | 3000 | RoHS & Green | SN | Level-1-260C-UNLIM | -40 to 85 | RIA | Samples |
| LM4051AIM3X-1.2/NOPB | ACTIVE | SOT-23 | DBZ | 3 | 3000 | RoHS & Green | SN | Level-1-260C-UNLIM | -40 to 85 | RHA | Samples |
| LM4051AIM3X-ADJ/NOPB | ACTIVE | SOT-23 | DBZ | 3 | 3000 | RoHS & Green | SN | Level-1-260C-UNLIM | -40 to 85 | RIA | Samples |
| LM4051BEM3-1.2/NOPB | ACTIVE | SOT-23 | DBZ | 3 | 3000 | RoHS & Green | SN | Level-1-260C-UNLIM | -40 to 125 | RHB | Samples |
| LM4051BIM3-1.2/NOPB | ACTIVE | SOT-23 | DBZ | 3 | 3000 | RoHS & Green | SN | Level-1-260C-UNLIM | -40 to 85 | RHB | Samples |
| LM4051BIM3-ADJ/NOPB | ACTIVE | SOT-23 | DBZ | 3 | 3000 | RoHS & Green | SN | Level-1-260C-UNLIM | -40 to 85 | RIB | Samples |
| LM4051BIM3X-1.2/NOPB | ACTIVE | SOT-23 | DBZ | 3 | 3000 | RoHS & Green | SN | Level-1-260C-UNLIM | -40 to 85 | RHB | Samples |
| LM4051BIM3X-ADJ/NOPB | ACTIVE | SOT-23 | DBZ | 3 | 3000 | RoHS & Green | SN | Level-1-260C-UNLIM | -40 to 85 | RIB | Samples |
| LM4051CIM3-1.2/NOPB | ACTIVE | SOT-23 | DBZ | 3 | 3000 | RoHS & Green | SN | Level-1-260C-UNLIM | -40 to 85 | RHC | Samples |
| LM4051CIM3-ADJ/NOPB | ACTIVE | SOT-23 | DBZ | 3 | 3000 | RoHS & Green | SN | Level-1-260C-UNLIM | -40 to 85 | RIC | Samples |
| LM4051CIM3X-1.2/NOPB | ACTIVE | SOT-23 | DBZ | 3 | 3000 | RoHS & Green | SN | Level-1-260C-UNLIM | -40 to 85 | RHC | Samples |
| LM4051CIM3X-ADJ/NOPB | ACTIVE | SOT-23 | DBZ | 3 | 3000 | RoHS & Green | SN | Level-1-260C-UNLIM | -40 to 85 | RIC | Samples |

(1) The marketing status values are defined as follows:

ACTIVE: Product device recommended for new designs.

LIFEBUY: TI has announced that the device will be discontinued, and a lifetime-buy period is in effect.

NRND: Not recommended for new designs. Device is in production to support existing customers, but TI does not recommend using this part in a new design.

PREVIEW: Device has been announced but is not in production. Samples may or may not be available.

OBSELETE: TI has discontinued the production of the device.

(2) **RoHS:** TI defines "RoHS" to mean semiconductor products that are compliant with the current EU RoHS requirements for all 10 RoHS substances, including the requirement that RoHS substance do not exceed 0.1% by weight in homogeneous materials. Where designed to be soldered at high temperatures, "RoHS" products are suitable for use in specified lead-free processes. TI may reference these types of products as "Pb-Free".

RoHS Exempt: TI defines "RoHS Exempt" to mean products that contain lead but are compliant with EU RoHS pursuant to a specific EU RoHS exemption.

Green: TI defines "Green" to mean the content of Chlorine (Cl) and Bromine (Br) based flame retardants meet JS709B low halogen requirements of <=1000ppm threshold. Antimony trioxide based flame retardants must also meet the <=1000ppm threshold requirement.

- (3) MSL, Peak Temp. - The Moisture Sensitivity Level rating according to the JEDEC industry standard classifications, and peak solder temperature.
- (4) There may be additional marking, which relates to the logo, the lot trace code information, or the environmental category on the device.
- (5) Multiple Device Markings will be inside parentheses. Only one Device Marking contained in parentheses and separated by a "~" will appear on a device. If a line is indented then it is a continuation of the previous line and the two combined represent the entire Device Marking for that device.
- (6) Lead finish/Ball material - Orderable Devices may have multiple material finish options. Finish options are separated by a vertical ruled line. Lead finish/Ball material values may wrap to two lines if the finish value exceeds the maximum column width.

Important Information and Disclaimer:The information provided on this page represents TI's knowledge and belief as of the date that it is provided. TI bases its knowledge and belief on information provided by third parties, and makes no representation or warranty as to the accuracy of such information. Efforts are underway to better integrate information from third parties. TI has taken and continues to take reasonable steps to provide representative and accurate information but may not have conducted destructive testing or chemical analysis on incoming materials and chemicals. TI and TI suppliers consider certain information to be proprietary, and thus CAS numbers and other limited information may not be available for release.

In no event shall TI's liability arising out of such information exceed the total purchase price of the TI part(s) at issue in this document sold by TI to Customer on an annual basis.

TAPE AND REEL INFORMATION

QUADRANT ASSIGNMENTS FOR PIN 1 ORIENTATION IN TAPE


*All dimensions are nominal

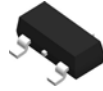
| Device | Package Type | Package Drawing | Pins | SPQ | Reel Diameter (mm) | Reel Width W1 (mm) | A0 (mm) | B0 (mm) | K0 (mm) | P1 (mm) | W (mm) | Pin1 Quadrant |
|----------------------|--------------|-----------------|------|------|--------------------|--------------------|---------|---------|---------|---------|--------|---------------|
| LM4051AIM3-1.2/NOPB | SOT-23 | DBZ | 3 | 3000 | 178.0 | 8.4 | 3.3 | 2.9 | 1.22 | 4.0 | 8.0 | Q3 |
| LM4051AIM3-ADJ/NOPB | SOT-23 | DBZ | 3 | 3000 | 178.0 | 8.4 | 3.3 | 2.9 | 1.22 | 4.0 | 8.0 | Q3 |
| LM4051AIM3X-1.2/NOPB | SOT-23 | DBZ | 3 | 3000 | 178.0 | 8.4 | 3.3 | 2.9 | 1.22 | 4.0 | 8.0 | Q3 |
| LM4051AIM3X-ADJ/NOPB | SOT-23 | DBZ | 3 | 3000 | 178.0 | 8.4 | 3.3 | 2.9 | 1.22 | 4.0 | 8.0 | Q3 |
| LM4051BEM3-1.2/NOPB | SOT-23 | DBZ | 3 | 3000 | 178.0 | 8.4 | 3.3 | 2.9 | 1.22 | 4.0 | 8.0 | Q3 |
| LM4051BIM3-1.2/NOPB | SOT-23 | DBZ | 3 | 3000 | 178.0 | 8.4 | 3.3 | 2.9 | 1.22 | 4.0 | 8.0 | Q3 |
| LM4051BIM3-ADJ/NOPB | SOT-23 | DBZ | 3 | 3000 | 178.0 | 8.4 | 3.3 | 2.9 | 1.22 | 4.0 | 8.0 | Q3 |
| LM4051BIM3X-1.2/NOPB | SOT-23 | DBZ | 3 | 3000 | 178.0 | 8.4 | 3.3 | 2.9 | 1.22 | 4.0 | 8.0 | Q3 |
| LM4051BIM3X-ADJ/NOPB | SOT-23 | DBZ | 3 | 3000 | 178.0 | 8.4 | 3.3 | 2.9 | 1.22 | 4.0 | 8.0 | Q3 |
| LM4051CIM3-1.2/NOPB | SOT-23 | DBZ | 3 | 3000 | 178.0 | 8.4 | 3.3 | 2.9 | 1.22 | 4.0 | 8.0 | Q3 |
| LM4051CIM3-ADJ/NOPB | SOT-23 | DBZ | 3 | 3000 | 178.0 | 8.4 | 3.3 | 2.9 | 1.22 | 4.0 | 8.0 | Q3 |
| LM4051CIM3X-1.2/NOPB | SOT-23 | DBZ | 3 | 3000 | 178.0 | 8.4 | 3.3 | 2.9 | 1.22 | 4.0 | 8.0 | Q3 |
| LM4051CIM3X-ADJ/NOPB | SOT-23 | DBZ | 3 | 3000 | 178.0 | 8.4 | 3.3 | 2.9 | 1.22 | 4.0 | 8.0 | Q3 |

TAPE AND REEL BOX DIMENSIONS


*All dimensions are nominal

| Device | Package Type | Package Drawing | Pins | SPQ | Length (mm) | Width (mm) | Height (mm) |
|----------------------|--------------|-----------------|------|------|-------------|------------|-------------|
| LM4051AIM3-1.2/NOPB | SOT-23 | DBZ | 3 | 3000 | 208.0 | 191.0 | 35.0 |
| LM4051AIM3-ADJ/NOPB | SOT-23 | DBZ | 3 | 3000 | 208.0 | 191.0 | 35.0 |
| LM4051AIM3X-1.2/NOPB | SOT-23 | DBZ | 3 | 3000 | 208.0 | 191.0 | 35.0 |
| LM4051AIM3X-ADJ/NOPB | SOT-23 | DBZ | 3 | 3000 | 208.0 | 191.0 | 35.0 |
| LM4051BEM3-1.2/NOPB | SOT-23 | DBZ | 3 | 3000 | 208.0 | 191.0 | 35.0 |
| LM4051BIM3-1.2/NOPB | SOT-23 | DBZ | 3 | 3000 | 208.0 | 191.0 | 35.0 |
| LM4051BIM3-ADJ/NOPB | SOT-23 | DBZ | 3 | 3000 | 208.0 | 191.0 | 35.0 |
| LM4051BIM3X-1.2/NOPB | SOT-23 | DBZ | 3 | 3000 | 208.0 | 191.0 | 35.0 |
| LM4051BIM3X-ADJ/NOPB | SOT-23 | DBZ | 3 | 3000 | 208.0 | 191.0 | 35.0 |
| LM4051CIM3-1.2/NOPB | SOT-23 | DBZ | 3 | 3000 | 208.0 | 191.0 | 35.0 |
| LM4051CIM3-ADJ/NOPB | SOT-23 | DBZ | 3 | 3000 | 208.0 | 191.0 | 35.0 |
| LM4051CIM3X-1.2/NOPB | SOT-23 | DBZ | 3 | 3000 | 208.0 | 191.0 | 35.0 |
| LM4051CIM3X-ADJ/NOPB | SOT-23 | DBZ | 3 | 3000 | 208.0 | 191.0 | 35.0 |

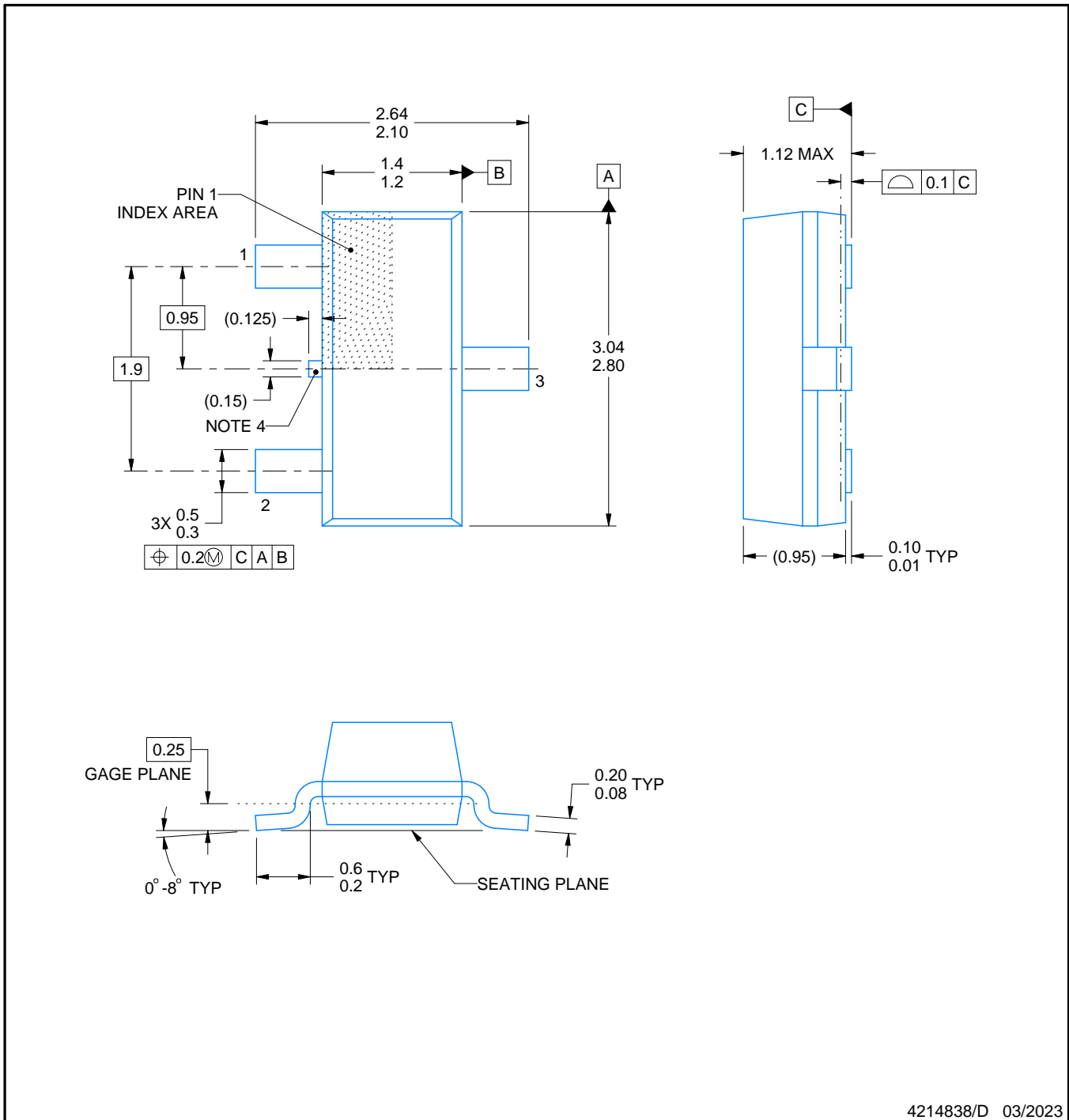
DBZ0003A



PACKAGE OUTLINE

SOT-23 - 1.12 mm max height

SMALL OUTLINE TRANSISTOR



4214838/D 03/2023

NOTES:

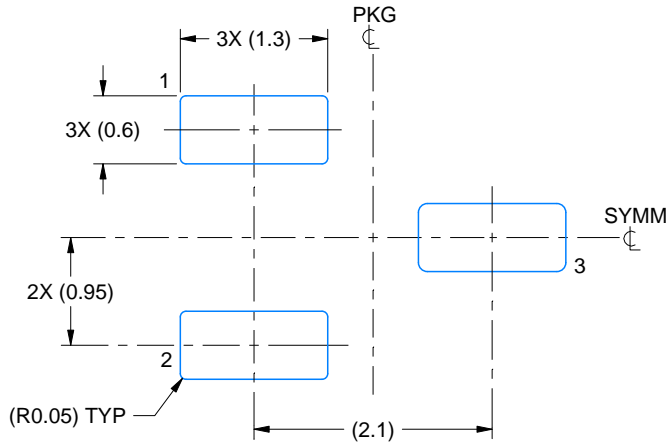
- All linear dimensions are in millimeters. Any dimensions in parenthesis are for reference only. Dimensioning and tolerancing per ASME Y14.5M.
- This drawing is subject to change without notice.
- Reference JEDEC registration TO-236, except minimum foot length.
- Support pin may differ or may not be present.

EXAMPLE BOARD LAYOUT

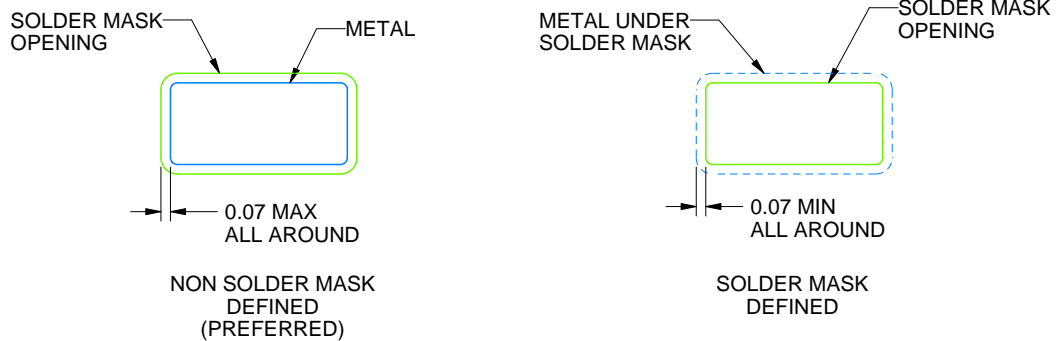
DBZ0003A

SOT-23 - 1.12 mm max height

SMALL OUTLINE TRANSISTOR



LAND PATTERN EXAMPLE
SCALE:15X



SOLDER MASK DETAILS

4214838/D 03/2023

NOTES: (continued)

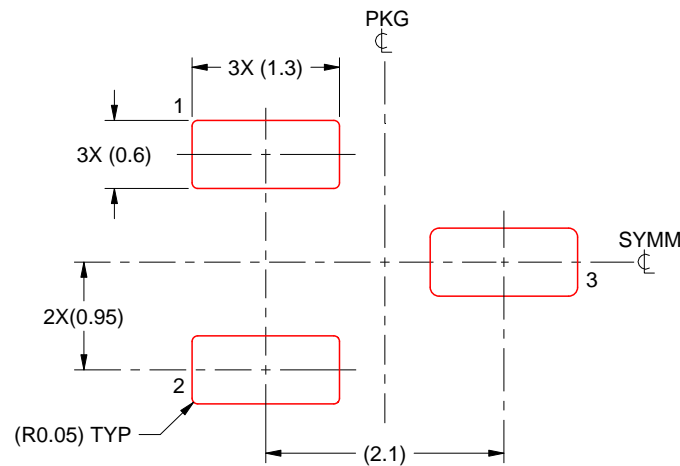
4. Publication IPC-7351 may have alternate designs.
5. Solder mask tolerances between and around signal pads can vary based on board fabrication site.

EXAMPLE STENCIL DESIGN

DBZ0003A

SOT-23 - 1.12 mm max height

SMALL OUTLINE TRANSISTOR



SOLDER PASTE EXAMPLE
BASED ON 0.125 THICK STENCIL
SCALE:15X

4214838/D 03/2023

NOTES: (continued)

6. Laser cutting apertures with trapezoidal walls and rounded corners may offer better paste release. IPC-7525 may have alternate design recommendations.
7. Board assembly site may have different recommendations for stencil design.

IMPORTANT NOTICE AND DISCLAIMER

TI PROVIDES TECHNICAL AND RELIABILITY DATA (INCLUDING DATA SHEETS), DESIGN RESOURCES (INCLUDING REFERENCE DESIGNS), APPLICATION OR OTHER DESIGN ADVICE, WEB TOOLS, SAFETY INFORMATION, AND OTHER RESOURCES "AS IS" AND WITH ALL FAULTS, AND DISCLAIMS ALL WARRANTIES, EXPRESS AND IMPLIED, INCLUDING WITHOUT LIMITATION ANY IMPLIED WARRANTIES OF MERCHANTABILITY, FITNESS FOR A PARTICULAR PURPOSE OR NON-INFRINGEMENT OF THIRD PARTY INTELLECTUAL PROPERTY RIGHTS.

These resources are intended for skilled developers designing with TI products. You are solely responsible for (1) selecting the appropriate TI products for your application, (2) designing, validating and testing your application, and (3) ensuring your application meets applicable standards, and any other safety, security, regulatory or other requirements.

These resources are subject to change without notice. TI grants you permission to use these resources only for development of an application that uses the TI products described in the resource. Other reproduction and display of these resources is prohibited. No license is granted to any other TI intellectual property right or to any third party intellectual property right. TI disclaims responsibility for, and you will fully indemnify TI and its representatives against, any claims, damages, costs, losses, and liabilities arising out of your use of these resources.

TI's products are provided subject to [TI's Terms of Sale](#) or other applicable terms available either on [ti.com](https://www.ti.com) or provided in conjunction with such TI products. TI's provision of these resources does not expand or otherwise alter TI's applicable warranties or warranty disclaimers for TI products.

TI objects to and rejects any additional or different terms you may have proposed.

Mailing Address: Texas Instruments, Post Office Box 655303, Dallas, Texas 75265
Copyright © 2024, Texas Instruments Incorporated