

MAX4172

General Description

The MAX4172 is a low-cost, precision, high-side current-sense amplifier for portable PCs, telephones, and other systems where battery/DC power-line monitoring is critical. High-side power-line monitoring is especially useful in battery-powered systems, since it does not interfere with the battery charger's ground path. Wide bandwidth and ground-sensing capability make the device suitable for closed-loop battery-charger and general-purpose current-source applications. The 0 to 32V input common-mode range is independent of the supply voltage, which ensures that current-sense feedback remains viable, even when connected to a battery in deep discharge.

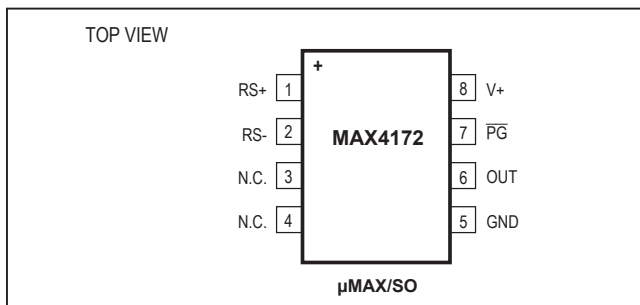
To provide a high level of flexibility, the MAX4172 functions with an external sense resistor to set the range of load current to be monitored. It has a current output that can be converted to a ground-referred voltage with a single resistor, accommodating a wide range of battery voltages and currents.

An open-collector power-good output ($\overline{\text{PG}}$) indicates when the supply voltage reaches an adequate level to guarantee proper operation of the current-sense amplifier. The MAX4172 operates with a 3.0V to 32V supply voltage, and is available in a space-saving, 8-pin $\mu\text{MAX}^{\text{®}}$ or SO package.

Applications

- Portable PCs: Notebooks/Subnotebooks/Palmtops
- Battery-Powered/Portable Equipment
- Closed-Loop Battery Chargers/Current Sources
- Smart-Battery Packs
- Portable/Cellular Phones
- Portable Test/Measurement Systems
- Energy Management Systems

Pin Configuration



μMAX is a registered trademark of Maxim Integrated Products, Inc.

Low-Cost, Precision, High-Side Current-Sense Amplifier

Benefits and Features

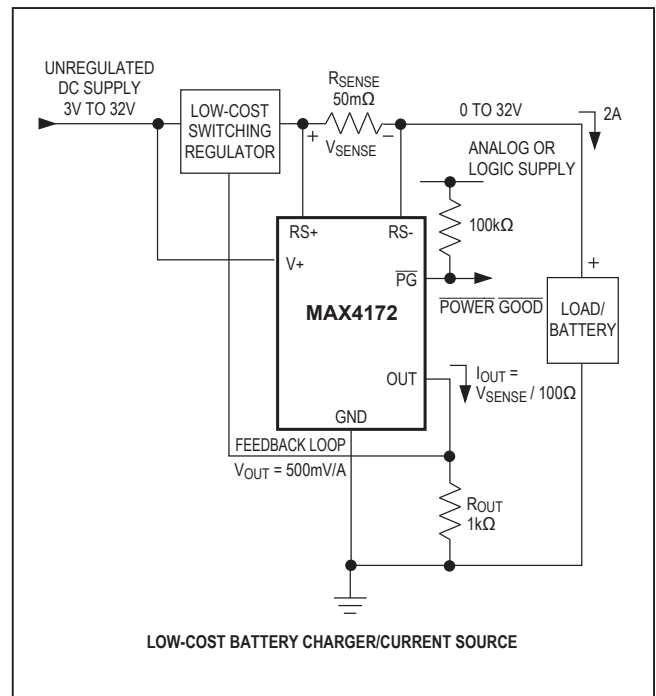
- Ideal for High-Side Monitoring
 - 3V to 32V Supply Operation
 - $\pm 0.5\%$ Typical Full-Scale Accuracy Over Temperature
 - High Accuracy +2V to +32V Common-Mode Range, Functional Down to 0V, Independent of Supply Voltage
 - 800kHz Bandwidth [$V_{\text{SENSE}} = 100\text{mV}$ (1C)]
 - 200kHz Bandwidth [$V_{\text{SENSE}} = 6.25\text{mV}$ (C/16)]
- Minimizes Board Space Requirements
 - μMAX and SO Packages

Ordering Information

| PART | TEMP RANGE | PIN-PACKAGE |
|-------------|-----------------|-------------------|
| MAX4172ESA+ | -40°C to +85°C | 8 SO |
| MAX4172EUA+ | -40°C to +85°C | 8 μMAX |
| MAX4172GUA+ | -40°C to +105°C | 8 μMAX |

+Denotes a lead(Pb)-free/RoHS-compliant package.

Typical Operating Circuit



Absolute Maximum Ratings

V+, RS+, RS-, \overline{PG} -0.3V to +36V
 OUT-0.3V to (V+ + 0.3V)
 Differential Input Voltage, $V_{RS+} - V_{RS-}$ ±700mV
 Current into Any Pin±50mA
 Continuous Power Dissipation ($T_A = +70^\circ\text{C}$)
 SO (derate 5.88mW/°C above +70°C)471mW
 μMAX (derate 4.10mW/°C above +70°C)330mW

Operating Temperature Range
 MAX4172E_A -40°C to +85°C
 MAX4172G_A -40°C to +105°C
 Storage Temperature Range -65°C to +150°C
 Lead Temperature (soldering, 10s) +300°C
 Soldering Temperature (reflow) +260°C

Stresses beyond those listed under "Absolute Maximum Ratings" may cause permanent damage to the device. These are stress ratings only, and functional operation of the device at these or any other conditions beyond those indicated in the operational sections of the specifications is not implied. Exposure to absolute maximum rating conditions for extended periods may affect device reliability.

Electrical Characteristics

(V+ = +3V to +32V; V_{RS+} , $V_{RS-} = 0$ to 32V; $T_A = T_{MIN}$ to T_{MAX} ; unless otherwise noted. Typical values are at V+ = +12V, $V_{RS+} = 12\text{V}$, $T_A = +25^\circ\text{C}$.)

| PARAMETER | SYMBOL | CONDITIONS | MIN | TYP | MAX | UNITS |
|----------------------------------|---------------------------------|---|--|------|-------|-------|
| Operating Voltage Range | V+ | | 3 | | 32 | V |
| Input Voltage Range | V_{RS-} | | 0 | 0 | 32 | V |
| Supply Current | I_{V+} | $I_{OUT} = 0\text{mA}$ | | 0.8 | 1.6 | mA |
| Input Offset Voltage | V_{OS} | $V_+ = 12\text{V}$, $V_{RS+} = 12\text{V}$ $V_{RS+} \leq 2.0\text{V}$ | MAX4172ESA | ±0.1 | ±0.75 | mV |
| | | | MAX4172EUA | ±0.2 | ±1.6 | |
| Positive Input Bias Current | I_{RS+} | $V_{RS+} > 2.0\text{V}$, $I_{OUT} = 0\text{mA}$ | 0 | 27 | 42.5 | µA |
| | | $V_{RS+} \leq 2.0\text{V}$, $I_{OUT} = 0\text{mA}$ | -325 | | +42.5 | |
| Negative Input Bias Current | I_{RS-} | $V_{RS+} > 2.0\text{V}$ | 0 | 50 | 85 | µA |
| | | $V_{RS+} \leq 2.0\text{V}$ | -650 | | 85 | |
| Maximum V_{SENSE} Voltage | | | 150 | 175 | | mV |
| Low-Level Current Error | | $V_{SENSE} = 6.25\text{mV}$, $V_+ = 12\text{V}$, $V_{RS+} = 12\text{V}$ (Note 1) | MAX4172ESA | | ±8.0 | µA |
| | | | MAX4172EUA | | ±15 | |
| Output Current Error | | $V_{SENSE} = 100\text{mV}$, $V_+ = 12\text{V}$, $V_{RS+} = 12\text{V}$ | MAX4172ESA, $T_A = -40^\circ\text{C}$ to 0°C | | ±20 | µA |
| | | | MAX4172EUA, $T_A = -40^\circ\text{C}$ to 0°C | | ±50 | |
| | | | MAX4172ESA, $T_A = 0^\circ\text{C}$ to $+105^\circ\text{C}$ | | ±10 | |
| | | | MAX4172EUA, $T_A = 0^\circ\text{C}$ to $+105^\circ\text{C}$ | | ±15 | |
| OUT Power-Supply Rejection Ratio | $\Delta I_{OUT}/\Delta V_+$ | $3\text{V} \leq V_+ \leq 32\text{V}$, $V_{RS+} > 2.0\text{V}$ | | 0.2 | | µA/V |
| OUT Common-Mode Rejection Ratio | $\Delta I_{OUT}/\Delta V_{RS+}$ | $2.0\text{V} < V_{RS+} < 32\text{V}$ | | 0.03 | | µA/V |

Electrical Characteristics (continued)

(V+ = +3V to +32V; V_{RS+}, V_{RS-} = 0 to 32V; T_A = T_{MIN} to T_{MAX}; unless otherwise noted. Typical values are at V+ = +12V, V_{RS+} = 12V, T_A = +25°C.)

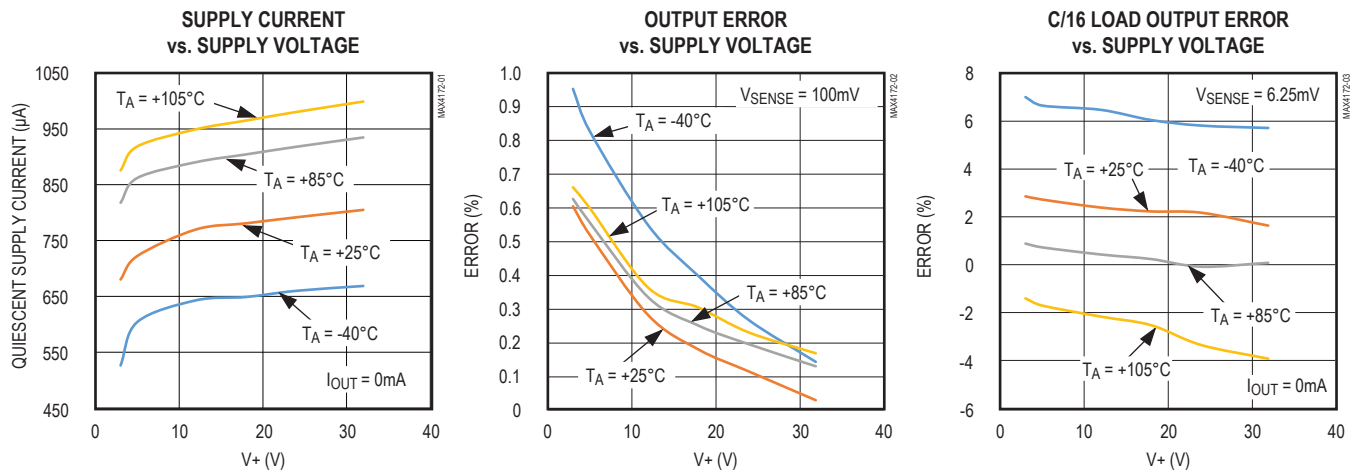
| PARAMETER | SYMBOL | CONDITIONS | MIN | TYP | MAX | UNITS | |
|---|------------------|---|--------------------------------|----------|-----|-------|------|
| Maximum Output Voltage (OUT) | | I _{OUT} ≤ 1.5mA | | V+ - 1.2 | | V | |
| Bandwidth | | V _{SENSE} = 100mV | | 800 | | kHz | |
| | | V _{SENSE} = 6.25mV (Note 1) | | 200 | | | |
| Maximum Output Current | I _{OUT} | | 1.5 | 1.75 | | mA | |
| Transconductance | G _m | G _m = I _{OUT} /(V _{RS+} - V _{RS-}), V _{SENSE} = 100mV, V _{RS+} > 2.0V | T _A = 0°C to +105°C | 9.8 | 10 | 10.2 | mA/V |
| | | | T _A = -40°C to 0°C | 9.7 | 10 | 10.3 | |
| V+ Threshold for $\overline{\text{PG}}$ Output Low (Note 2) | | V+ rising V+ falling | | 2.77 | | V | |
| | | | | 2.67 | | | |
| $\overline{\text{PG}}$ Output Low Voltage | V _{OL} | I _{SINK} = 1.2mA, V+ = 2.9V, T _A = +25°C | | | 0.4 | V | |
| Leakage Current into $\overline{\text{PG}}$ | | V+ = 2.5V, T _A = +25°C | | | 1 | μA | |
| Power-Off Input Leakage Current (RS+, RS-) | | V+ = 0V, V _{RS+} = V _{RS-} = 32V | | 0.1 | 1 | μA | |
| OUT Rise Time | | V _{SENSE} = 0 to 100mV, 10% to 90% | | 400 | | ns | |
| OUT Fall Time | | V _{SENSE} = 100mV to 0mV, 90% to 10% | | 800 | | ns | |
| OUT Settling Time to 1% | | V _{SENSE} = 5mV to 100mV | Rising | 1.3 | | μs | |
| | | | Falling | 6 | | | |
| OUT Output Resistance | | V _{SENSE} = 150mV | | 20 | | MΩ | |

Note 1: 6.25mV = 1/16 of typical full-scale sense voltage (C/16).

Note 2: Valid operation of the MAX4172 is guaranteed by design when $\overline{\text{PG}}$ is low.

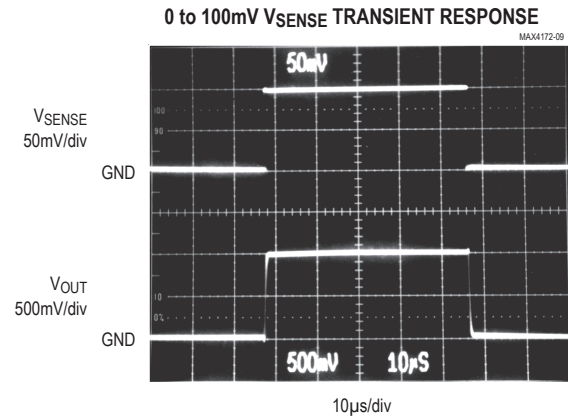
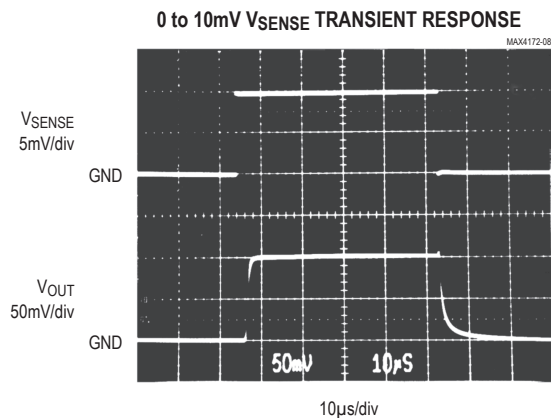
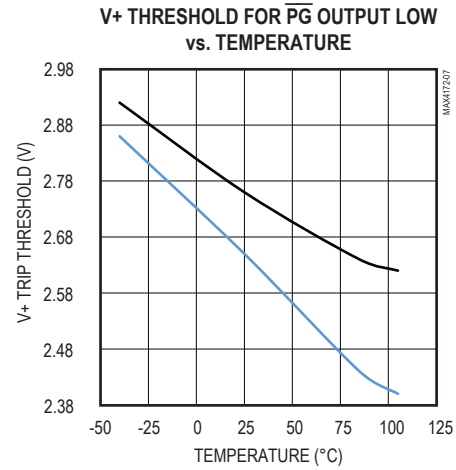
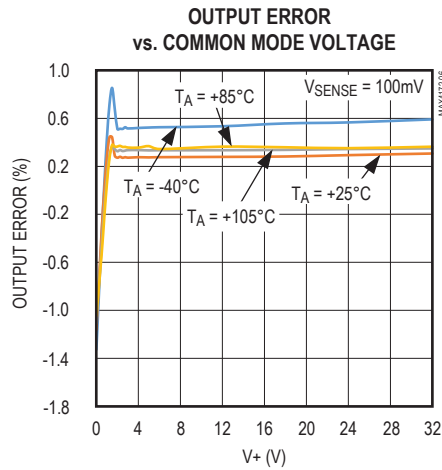
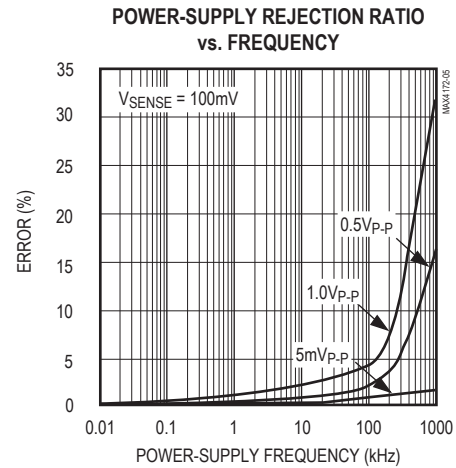
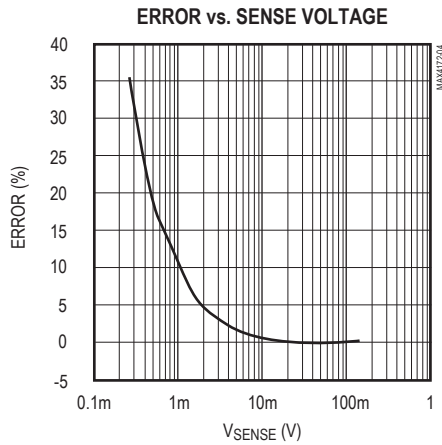
Typical Operating Characteristics

(V+ = +12V, V_{RS+} = 12V, R_{OUT} = 1kΩ, T_A = +25°C, unless otherwise noted.)



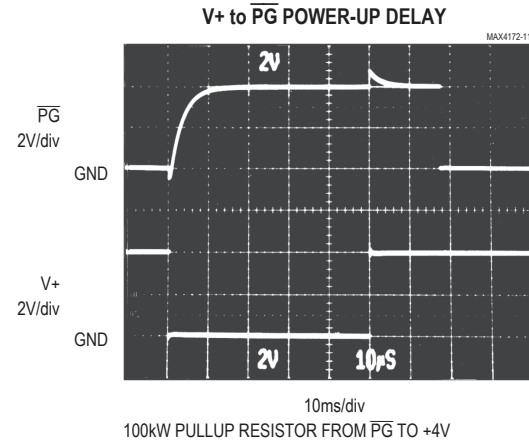
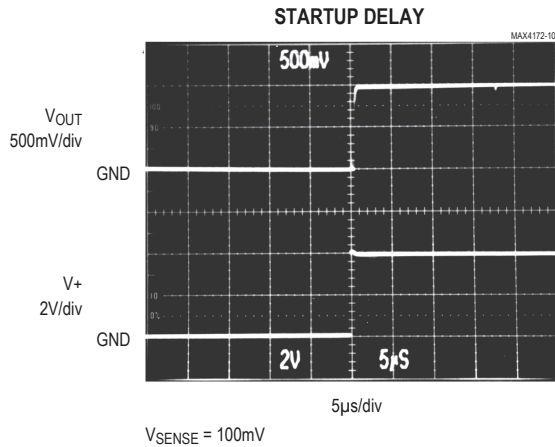
Typical Operating Characteristics (continued)

($V_+ = +12V$, $V_{RS+} = 12V$, $R_{OUT} = 1k\Omega$, $T_A = +25^\circ C$, unless otherwise noted.)



Typical Operating Characteristics (continued)

(V+ = +12V, V_{RS+} = 12V, R_{OUT} = 1kΩ, T_A = +25°C, unless otherwise noted.)



Pin Description

| PIN | NAME | FUNCTION |
|------|------|---|
| 1 | RS+ | Power connection to the external sense resistor. The “+” indicates the direction of current flow. |
| 2 | RS- | Load-side connection for the external sense resistor. The “-” indicates the direction of current flow. |
| 3, 4 | N.C. | No Connect. No internal connection. Leave open or connect to GND. |
| 5 | GND | Ground |
| 6 | OUT | Current Output. OUT is proportional to the magnitude of the sense voltage (V _{RS+} - V _{RS-}). A 1kΩ resistor from OUT to ground will result in a voltage equal to 10V/V of sense voltage. |
| 7 | PG | Power Good Open-Collector Logic Output. A low level indicates that V+ is sufficient to power the MAX4172, and adequate time has passed for power-on transients to settle out. |
| 8 | V+ | Supply Voltage Input for the MAX4172 |

Detailed Description

The MAX4172 is a unidirectional, high-side current-sense amplifier with an input common-mode range that is independent of supply voltage. This feature not only allows the monitoring of current flow into a battery in deep discharge, but also enables high-side current sensing at voltages far in excess of the supply voltage (V+).

The MAX4172 current-sense amplifier’s unique topology simplifies current monitoring and control. The MAX4172’s amplifier operates as shown in Figure 1. The battery/load current flows through the external sense resistor

(R_{SENSE}), from the RS+ node to the RSnode. Current flows through R_{G1} and Q1, and into the current mirror, where it is multiplied by a factor of 50 before appearing at OUT.

To analyze the circuit of Figure 1, assume that current flows from RS+ to RS-, and that OUT is connected to GND through a resistor. Since A1’s inverting input is high impedance, no current flows through R_{G2} (neglecting the input bias current), so A1’s negative input is equal to V_{SOURCE} - (I_{LOAD} × R_{SENSE}). A1’s open-loop gain forces its positive input to essentially the same voltage level as the negative input. Therefore, the drop across R_{G1} equals

$I_{LOAD} \times R_{SENSE}$. Then, since I_{RG1} flows through R_{G1} , $I_{RG1} \times R_{G1} = I_{LOAD} \times R_{SENSE}$. The internal current mirror multiplies I_{RG1} by a factor of 50 to give $I_{OUT} = 50 \times I_{RG1}$. Substituting $I_{OUT}/50$ for I_{RG1} , $(I_{OUT}/50) \times R_{G1} = I_{LOAD} \times R_{SENSE}$, or:

$$I_{OUT} = 50 \times I_{LOAD} \times (R_{SENSE}/R_{G1})$$

The internal current gain of 50 and the factory-trimmed resistor R_{G1} combine to result in the device's transconductance (G_m) of 10mA/V. G_m is defined as being equal to $I_{OUT}/(V_{RS+} - V_{RS-})$. Since $(V_{RS+} - V_{RS-}) = I_{LOAD} \times R_{SENSE}$, the output current (I_{OUT}) can be calculated with the following formula:

$$I_{OUT} = G_m \times (V_{RS+} - V_{RS-}) = (10mA/V) \times (I_{LOAD} \times R_{SENSE})$$

Current Output

The output voltage equation for the MAX4172 is given below:

$$V_{OUT} = (G_m) \times (R_{SENSE} \times R_{OUT} \times I_{LOAD})$$

where V_{OUT} = the desired full-scale output voltage, I_{LOAD} equals the full-scale current being sensed, R_{SENSE} equals the current-sense resistor, R_{OUT} equals the voltage-setting resistor, and G_m equals the device's transconductance (10mA/V).

The full-scale output voltage range can be set by changing the R_{OUT} resistor value, but the output voltage must be no greater than $V+ - 1.2V$. The above equation can be modified to determine the R_{OUT} required for a particular full-scale range:

$$R_{OUT} = (V_{OUT}) / (I_{LOAD} \times R_{SENSE} \times G_m)$$

OUT is a high-impedance current source that can be integrated by connecting it to a capacitive load.

\overline{PG} Output

The \overline{PG} output is an open-collector logic output that indicates the status of the MAX4172's $V+$ power supply. A logic low on the \overline{PG} output indicates that $V+$ is sufficient to power the MAX4172. This level is temperature dependent (see *Typical Operating Characteristics* graphs), and is typically 2.7V at room temperature. The internal \overline{PG} comparator has a 100mV (typ) hysteresis to prevent possible oscillations caused by repeated toggling of the PG output, making the device ideal for power-management systems lacking soft-start capability. An internal delay (15 μ s, typ) in the \overline{PG} comparator allows adequate time for power-on transients to settle out. The \overline{PG} status indicator greatly simplifies the design of closed-loop

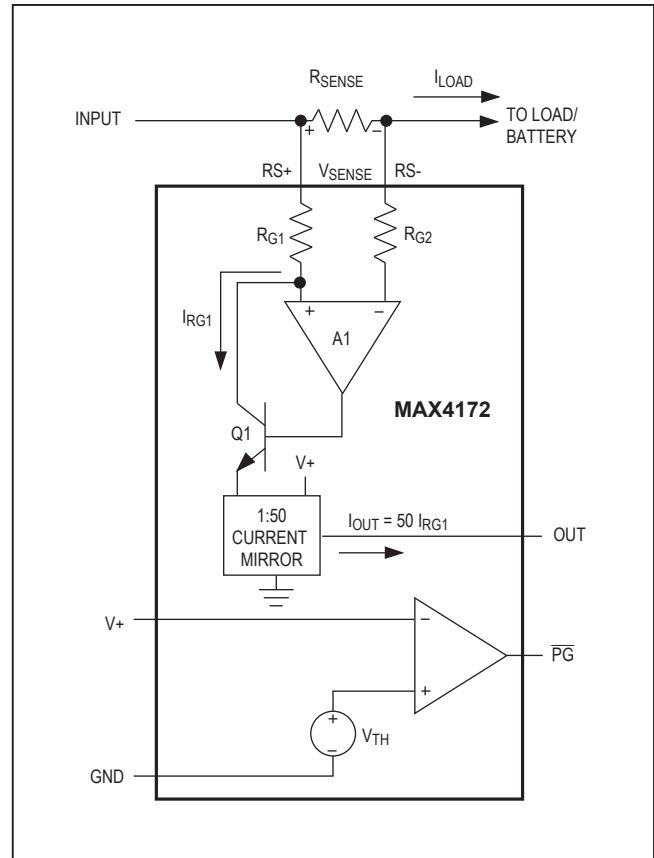


Figure 1. Functional Diagram

systems by ensuring that the components in the control loop have sufficient voltage to operate correctly.

Applications Information

Suggested Component Values for Various Applications

The *Typical Operating Circuit* is useful in a wide variety of applications. Table 1 shows suggested component values and indicates the resulting scale factors for various applications required to sense currents from 100mA to 10A.

Adjust the R_{SENSE} value to monitor higher/lower current levels. Select R_{SENSE} using the guidelines and formulas in the following section.

Table 1. Suggested Component Values

| FULL-SCALE LOAD CURRENT (A) | CURRENT-SENSE RESISTOR, R _{SENSE} (mΩ) | OUTPUT RESISTOR, R _{OUT} (kΩ) | FULL-SCALE OUTPUT VOLTAGE, V _{OUT} (V) | SCALE FACTOR, V _{OUT} /I _{SENSE} (V/A) |
|-----------------------------|---|--|---|--|
| 0.1 | 1000 | 3.48 | 3.48 | 34.8 |
| 1 | 100 | 3.48 | 3.48 | 3.48 |
| 5 | 20 | 3.48 | 3.48 | 0.696 |
| 10 | 10 | 3.48 | 3.48 | .348 |

Sense Resistor, R_{SENSE}

Choose R_{SENSE} based on the following criteria:

- **Voltage Loss:** A high R_{SENSE} value causes the power-source voltage to degrade through IR loss. For minimal voltage loss, use the lowest R_{SENSE} value.
- **Accuracy:** A high R_{SENSE} value allows lower currents to be measured more accurately. This is because offsets become less significant when the sense voltage is larger. For best performance, select R_{SENSE} to provide approximately 100mV of sense voltage for the full-scale current in each application.
- **Efficiency and Power Dissipation:** At high current levels, the I²R losses in R_{SENSE} can be significant. Take this into consideration when choosing the resistor value and its power dissipation (wattage) rating. Also, the sense resistor’s value might drift if it is allowed to heat up excessively.
- **Inductance:** Keep inductance low if I_{SENSE} has a large high-frequency component. Wire-wound resistors have the highest inductance, while metal film is somewhat better. Low-inductance metal-film resistors are also available. Instead of being spiral wrapped around a core, as in metal-film or wirewound resistors, they are a straight band of metal and are available in values under 1Ω.
- **Cost:** If the cost of R_{SENSE} is an issue, you might want to use an alternative solution, as shown in Figure 2. This solution uses the PCB traces to create a sense resistor. Because of the inaccuracies of the copper resistor, the full-scale current value must be adjusted with a potentiometer. Also, copper’s resistance temperature coefficient is fairly high (approximately 0.4%/°C).

In Figure 2, assume that the load current to be measured is 10A, and that you have determined a 0.3-inch-wide, 2-ounce copper to be appropriate. The resistivity of 0.1-inch-wide, 2-ounce (70µm thickness) copper is 30mΩ/ft. For 10A, you might want R_{SENSE} = 5mΩ for a 50mV drop at full scale. This resistor requires about 2 inches of 0.1-inch-wide copper trace.

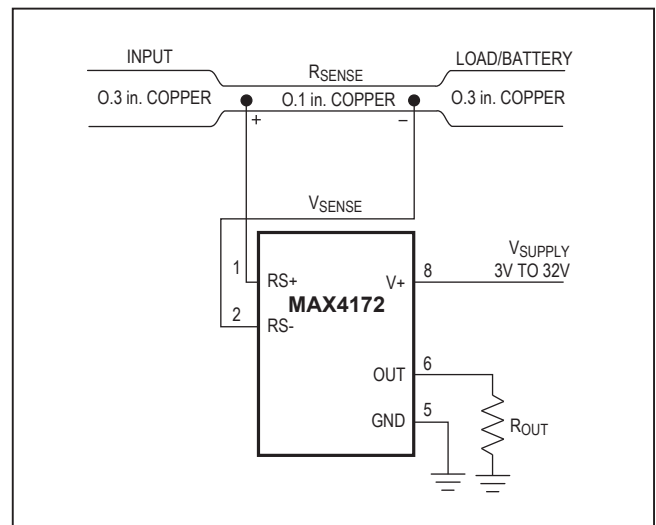


Figure 2. MAX4172 Connections Showing Use of PC Board

Current-Sense Adjustment (Resistor Range, Output Adjust)

Choose R_{OUT} after selecting R_{SENSE}. Choose R_{OUT} to obtain the full-scale voltage you require, given the full-scale I_{OUT} determined by R_{SENSE}. OUT’s high impedance permits using R_{OUT} values up to 200kΩ with minimal error. OUT’s load impedance (e.g., the input of an op amp or ADC) must be much greater than R_{OUT} (e.g., 100 x R_{OUT}) to avoid degrading measurement accuracy.

High-Current Measurement

The MAX4172 can achieve high-current measurements by using low-value sense resistors, which can be paralleled to further increase the current-sense limit. As an alternative, PCB traces can be adjusted over a wide range.

Power-Supply Bypassing and Grounding

In most applications, grounding the MAX4172 requires no special precautions. However, in high-current systems, large voltage drops can develop across the ground plane, which can add to or subtract from V_{OUT} . Use a single-point star ground for the highest current measurement accuracy.

The MAX4172 requires no special bypassing and responds quickly to transient changes in line current. If the noise at OUT caused by these transients is a problem, you can place a 1µF capacitor at the OUT pin to ground. You can also place a large capacitor at the RS terminal (or load side of the MAX4172) to decouple the load, reducing the current transients. These capacitors are not required for MAX4172 operation or stability. The RS+ and RS- inputs can be filtered by placing a capacitor (e.g., 1µF) between them to average the sensed current.

Chip Information

SUBSTRATE CONNECTED TO GND

Package Information

For the latest package outline information and land patterns (footprints), go to www.maximintegrated.com/packages. Note that a “+”, “#”, or “-” in the package code indicates RoHS status only. Package drawings may show a different suffix character, but the drawing pertains to the package regardless of RoHS status.

| PACKAGE TYPE | PACKAGE CODE | OUTLINE NO. | LAND PATTERN NO. |
|--------------|--------------|-------------------------|-------------------------|
| SO | S8+4 | 21-0041 | 90-0096 |
| µMAX | U8+1 | 21-0036 | 90-0092 |

Revision History

| REVISION NUMBER | REVISION DATE | DESCRIPTION | PAGES CHANGED |
|-----------------|---------------|--|---------------|
| 0 | 12/96 | Initial release | — |
| 1 | 6/10 | Clarified 0 to 2V is not a high-accuracy range for the device, removed future product reference, added lead-free options and soldering temperature | 1, 2 |
| 2 | 10/12 | Revised the <i>Package Information</i> | 8 |
| 3 | 5/15 | Revised <i>Benefits and Features</i> section | 1 |
| 4 | 6/16 | Added G-temp grade for 105°C operation and updated <i>Typical Operating Characteristics</i> section | 1–4 |
| 5 | 12/20 | Updated the <i>Package Information</i> table | 8 |

For pricing, delivery, and ordering information, please visit Maxim Integrated's online storefront at <https://www.maximintegrated.com/en/storefront/storefront.html>.

Maxim Integrated cannot assume responsibility for use of any circuitry other than circuitry entirely embodied in a Maxim Integrated product. No circuit patent licenses are implied. Maxim Integrated reserves the right to change the circuitry and specifications without notice at any time. The parametric values (min and max limits) shown in the Electrical Characteristics table are guaranteed. Other parametric values quoted in this data sheet are provided for guidance.

Mouser Electronics

Authorized Distributor

Click to View Pricing, Inventory, Delivery & Lifecycle Information:

[Analog Devices Inc.:](#)

[MAX4172ESA+](#) [MAX4172EUA+](#) [MAX4172ESA+T](#) [MAX4172EUA+T](#) [MAX4172GUA+](#)

Other:

[MAX4172GUA+T](#)