

7 6 5 4 3 2 1

SRK - BS - MD - ST - 001

REV C SRK-BS-MD-ST-***

REVISIONS			
SYM	DESCRIPTION	DATE	APPROVED
A	NEW RELEASE PER E.O. P20387	12-1-09	R.D.R.
B	REVISED AND REDRAWN PER E.O. P20599	8-30-10	R.D.R.
C	REVISED AND REDRAWN PER E.O. P20767	1-14-11	<i>SR</i>

SERIES PREFIX

BACKSHELL BS

SIZE MD MEDIUM

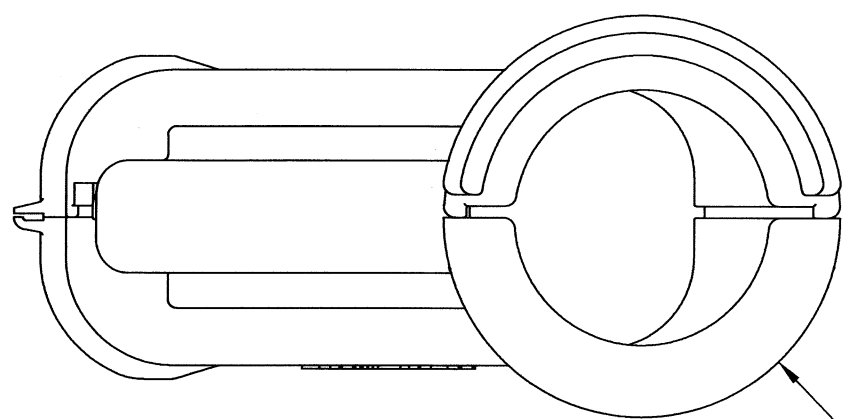
VERSION OF CORRUGATED CONDUIT
001 NW17
002 NW22

ST STRAIGHT

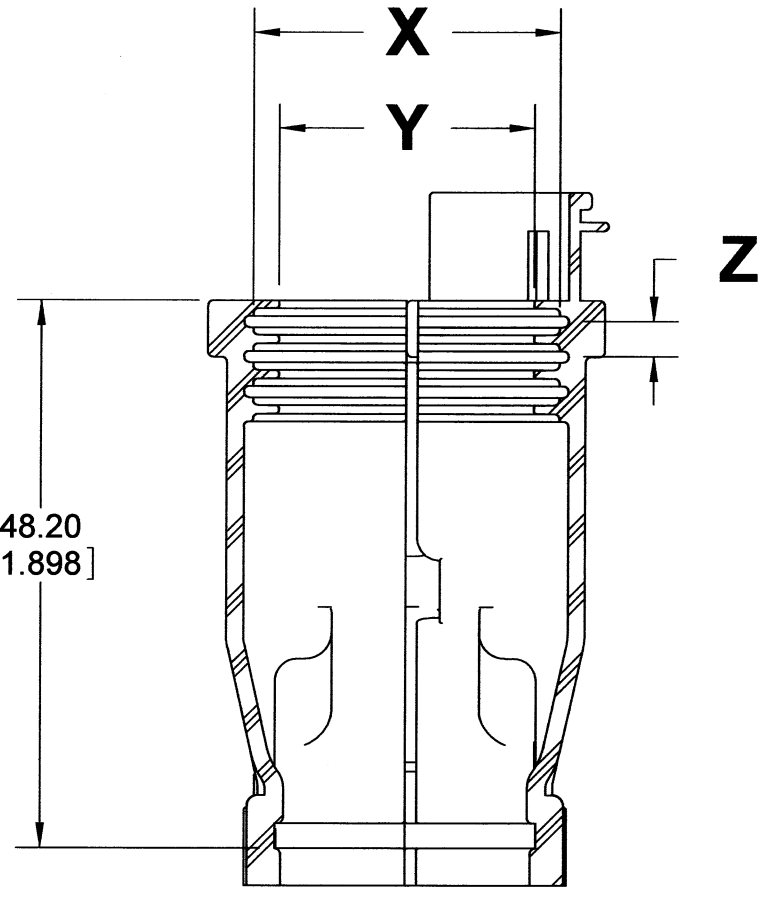
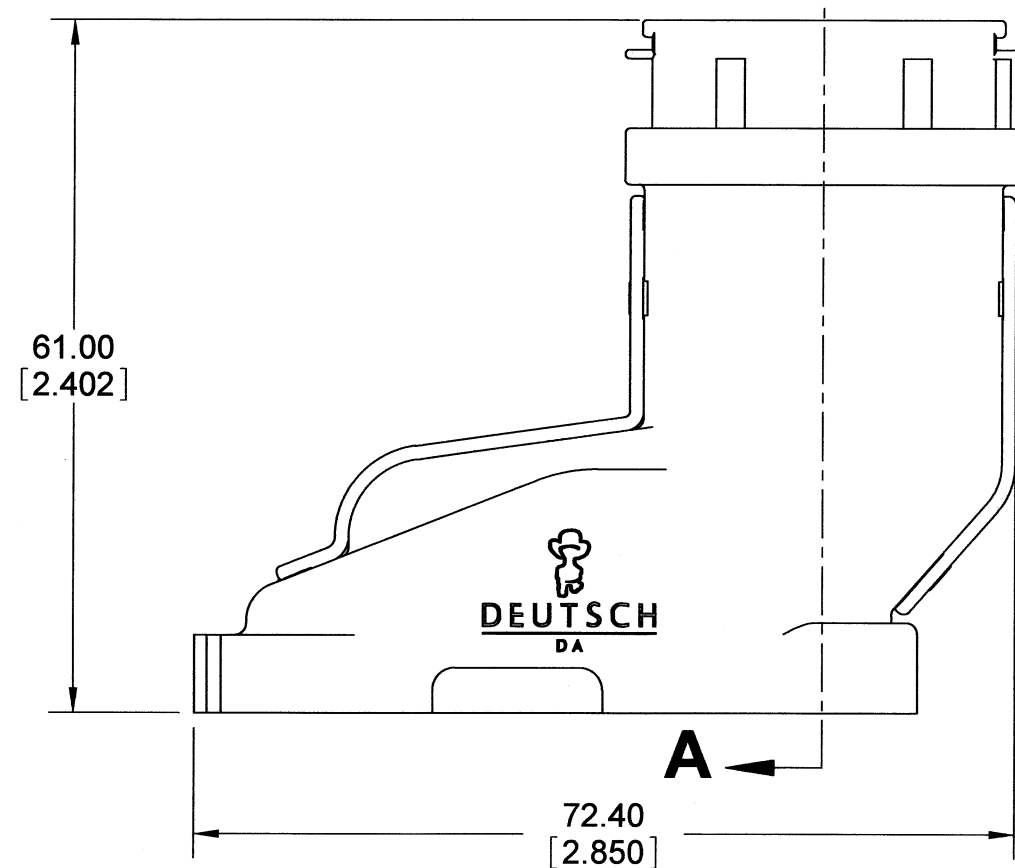
CONVOLUTE REQUIREMENTS:

RATED 125°C
NW17
OUTER Ø=21.20 [.835]
INNER Ø=16.60 [.654]
PITCH=2.30 [.091]
NW22
OUTER Ø=25.40 [1.000]
INNER Ø=21.30 [.839]
PITCH=3.10 [.122]

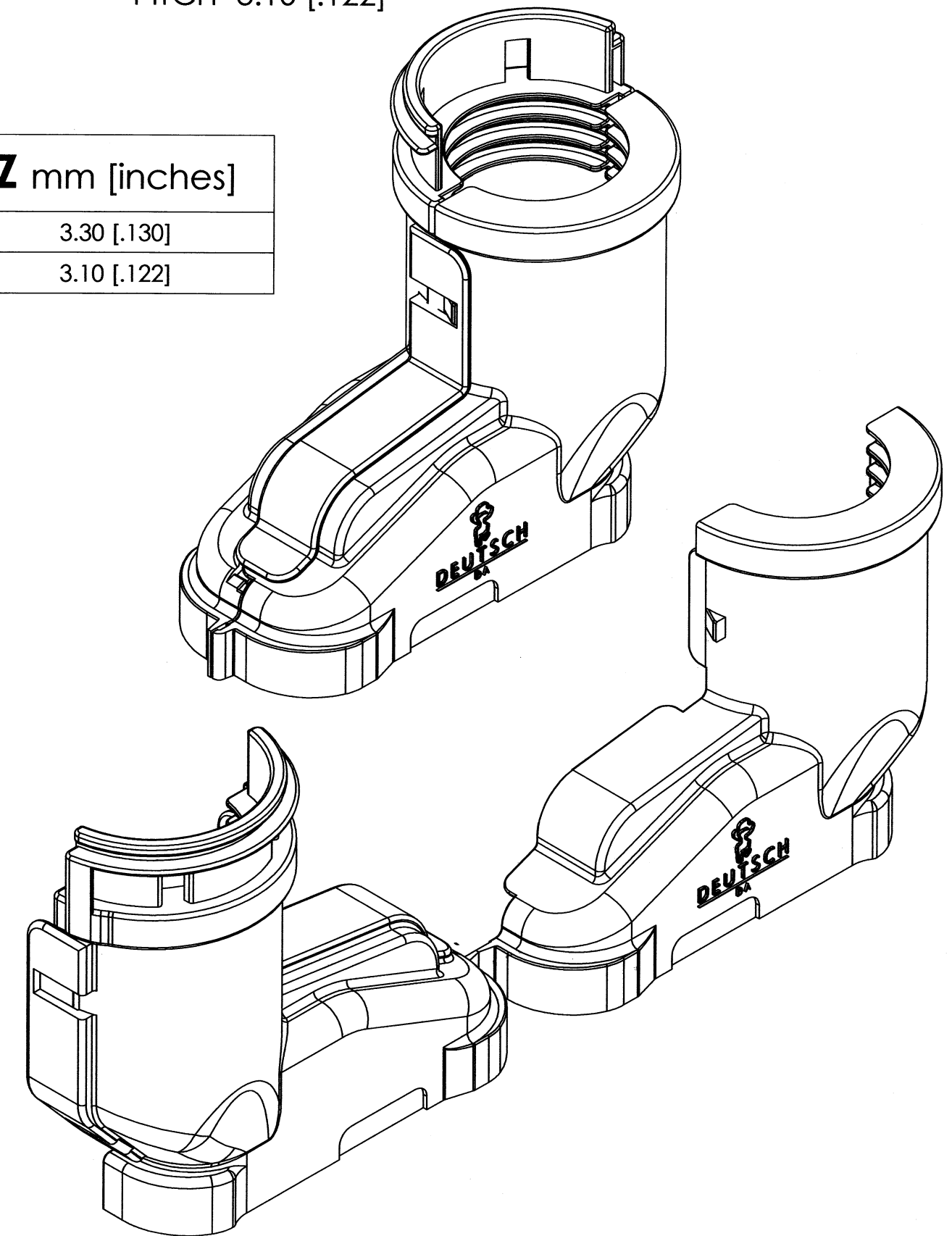
VERSION OF CONDUIT	X mm [inches]	Y mm [inches]	Z mm [inches]
001	23.00 [.906]	17.80 [.701]	3.30 [.130]
002	27.00 [1.063]	22.50 [.886]	3.10 [.122]



Ø35.00 [1.378]



SECTION A-A



- 4. MATERIAL: PLASTIC; COLOR: BLACK.
- 3. THIS PART SNAPS ONTO SRK02-MD*.-*** AND SRK06-MD*.-***
* = KEYS; *** = SEE 37322C-00013-01 FOR ARRANGEMENTS.
- 2. DIMENSIONAL TOLERANCE: ±.64 [.025].
- 1. ALL DIMENSIONS ARE IN MILLIMETERS [INCHES].

NOTES: UNLESS OTHERWISE SPECIFIED

SIGNATURE & DATE	
DR	JAIME APOSTOL 27AUG2010
CHK	<i>D. Meyer</i> 1/14/11
PE	<i>D. Meyer</i> 1/14/11
APPD	<i>P. Reed</i> 1-14-11
SCALE	NONE
WT	16.80 g

BACKSHELL STRAIGHT
MEDIUM SIZE (MD)
SRK SERIES

ENVELOPE

EP 201	MATL. CODE 89
3850 INDUSTRIAL AVE. HEMET, CA 92545	
C SRK-BS-MD-ST-***	
DWG. SIZE	CODE 11139
SHEET 1 OF 1	

7 6 5 4 3 2 1

Mouser Electronics

Authorized Distributor

Click to View Pricing, Inventory, Delivery & Lifecycle Information:

[TE Connectivity:](#)

[SRK-BS-MD-ST-001](#)