

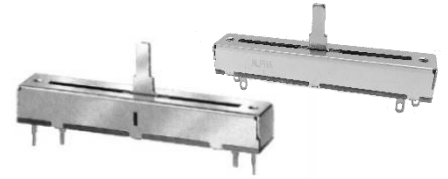
## Normal Slide Type

### Application

- ✓ Audio, Home appliance, Lighting control, etc.

### Feature

- ✓ Smooth slide feeling



### ■Specification

Travel Distance	45mm , 60mm
Insulation Resistance	100 MΩ Min. at 500V DC
Dielectric Strength	500V AC , 1 minute
Operating Temperature Range	-10 °C~70°C
Operating Force	50~350 gf.cm
Sliding Life	15,000 cycles

### ■How to order

RA6020F-20 – 15C2- B10K

[Model](#)

[Lever Type](#)

#### Taper and Resistance Value

Ex:

Order Code	Taper	Resistance Value
A100K	Log/A	100KΩ
B1M	Linear/B	1MΩ

Taper: A and B


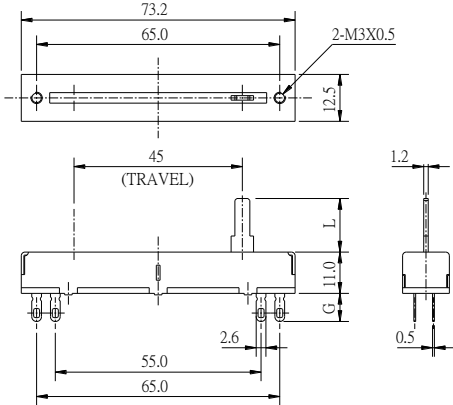

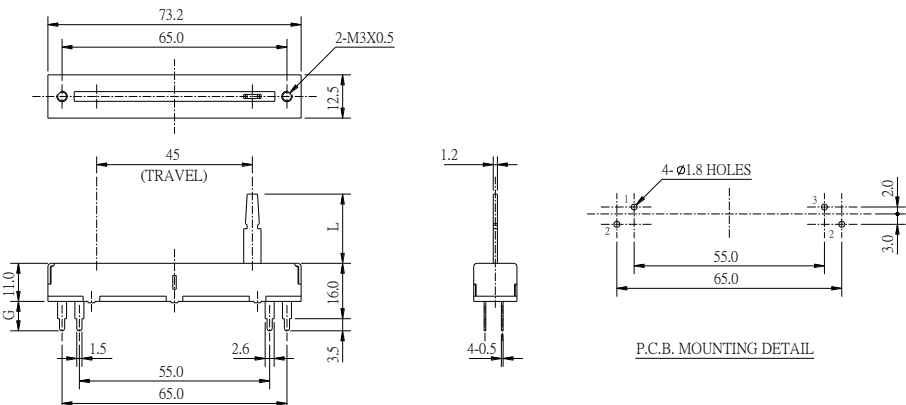
Resistance Value: 1KΩ to 500KΩ and 1MΩ

\*Contact us for other requirements.

## Normal Slide Type

### Model Description


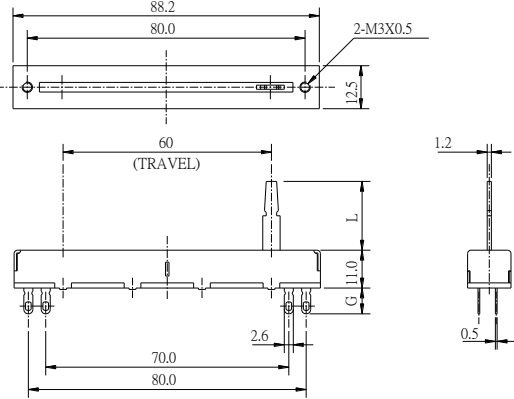

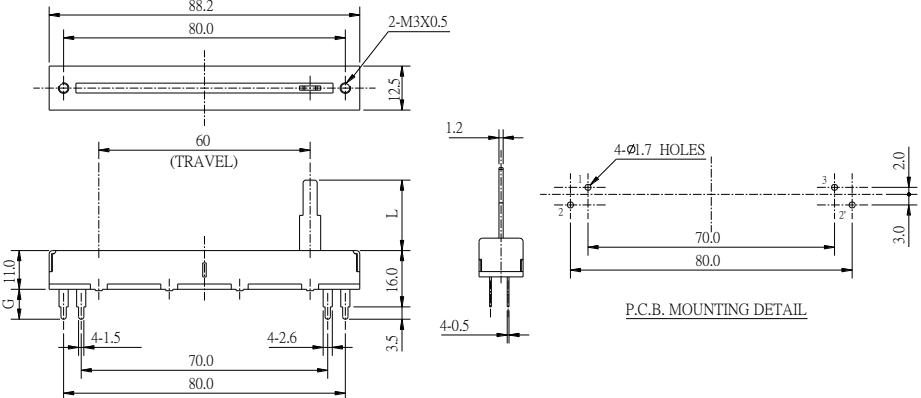
Model	Number of unit	Travel Distance	Type of Terminal
<a href="#">RA4520F-10</a>	Single Unit	45mm	Solder Lug
<a href="#">RA4520F-20</a>	Single Unit	45mm	PC board (vertical)
<a href="#">RA4520F-21</a>	Single Unit	45mm	PC board (vertical)
<a href="#">RA6020F-10</a>	Single Unit	60mm	Solder Lug
<a href="#">RA6020F-20</a>	Single Unit	60mm	PC board (vertical)
<a href="#">RA6020F-21</a>	Single Unit	60mm	PC board (vertical)

Order Code	Outline Drawing
RA4520F-10 	
RA4520F-20 RA4520F-21 	

For dimension of G, please refer to the below chart "[Type of Terminal](#)".

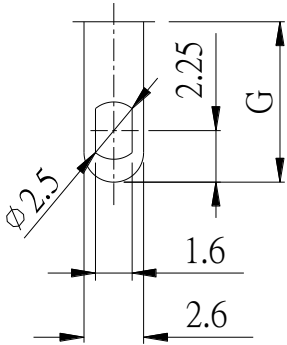
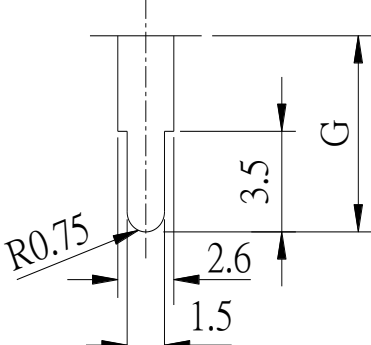
[Back to top](#)

## Normal Slide Type

Order Code	Outline Drawing
RA6020F-10 	
RA6020F-20 RA6020F-21 	

For dimension of G, please refer to the below chart "[Type of Terminal](#)".

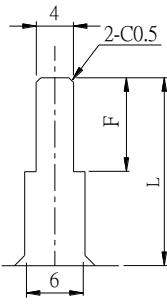
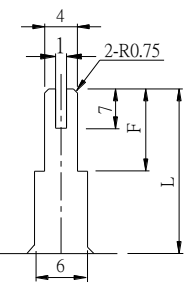
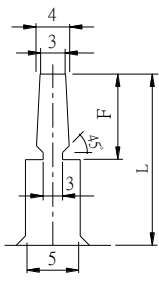
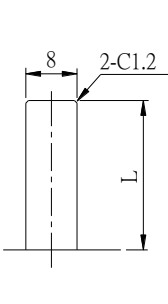
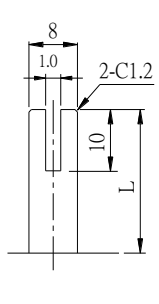
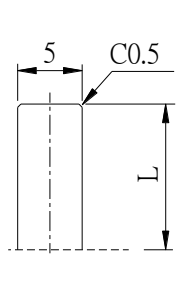
### ■Type of Terminal

Type	Solder Lug Type		PC Board Type	
	10	20	21	
Length (G)	7.5	8.5	7	
Dimensions				

[Back to top](#)

## Normal Slide Type

### ■ Lever Type

Model	RA□□20F Series								
Lever type	Metal Lever t1.2								
	C2		F2		D1		B1	E1	B2
Dimensions									
Length (L)	F	10	7	10	10	10	10	15	10
	L	15	10	15	15	20			

Design and specifications presented here are for the standard parts only. Please kindly contact us for your special requests and ask for the current technical specifications before purchase and/or use.

[Back to top](#)

# Mouser Electronics

Authorized Distributor

Click to View Pricing, Inventory, Delivery & Lifecycle Information:

[Alpha \(Taiwan\):](#)

[RA6020F-10-15F2-B10K](#) [RA4520F-10-20D1-B10K](#) [RA6020F-10-20D1-B100K](#) [RA6020F-10-15F2-B15](#) [RA4520F-10-20D1-B15](#) [RA4520F-10-20D1-B13](#) [RA4520F-10-20D1-B16](#) [RA6020F-10-15F2-B53](#) [RA4520F-10-20D1-B53](#) [RA4520F-10-20D1-B24](#) [RA6020F-10-15F2-B54](#) [RA6020F-10-20D1-BF5](#) [RA6020F-10-15F2-B13](#) [RA6020F-10-15F2-B23](#) [RA6020F-10-20D1-B23](#) [RA6020F-10-20D1-B16](#) [RA6020F-10-20D1-B13](#) [RA6020F-10-20D1-B53](#) [RA6020F-10-20D1-B55](#) [RA4520F-10-20D1-B55](#) [RA6020F-10-20D1-B54](#) [RA6020F-10-20D1-B10K](#) [RA6020F-10-20D1-BF4](#) [RA4520F-10-20D1-B20K](#) [RA4520F-10-20D1-B5K](#) [RA6020F-10-20D1-B5K](#) [RA4520F-10-20D1-B100K](#) [RA4520F-10-20D1-B1K](#) [RA6020F-10-15F2-B1K](#) [RA6020F-10-20D1-B500K](#) [RA6020F-10-15F2-B2K](#) [RA6020F-10-15F2-B5K](#) [RA6020F-10-20D1-B2K](#) [RA6020F-10-20D1-B250K](#) [RA6020F-10-20D1-B25K](#) [RA4520F-10-20D1-B1M](#) [RA6020F-10-20D1-B1K](#) [RA4520F-10-20D1-B500K](#) [RA6020F-10-20D1-B1M](#) [RA4520F-10-20D1-B50K](#) [RA6020F-10-20D1-B50K](#)