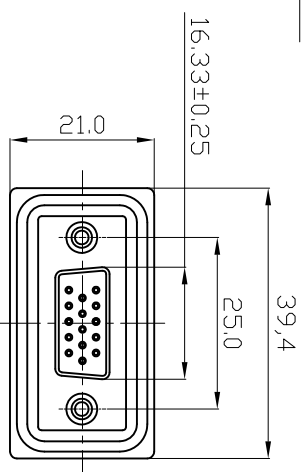
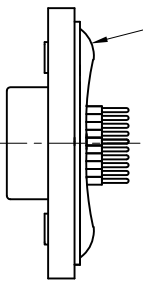
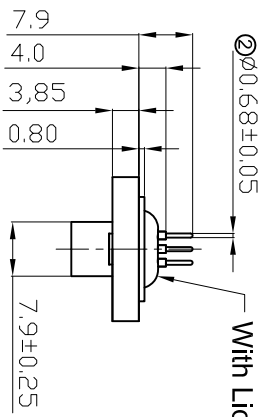
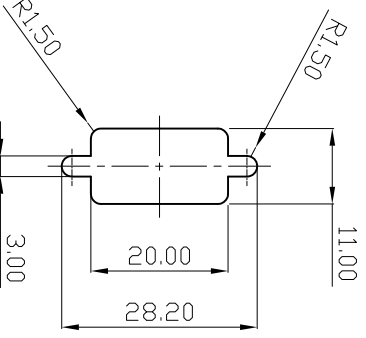
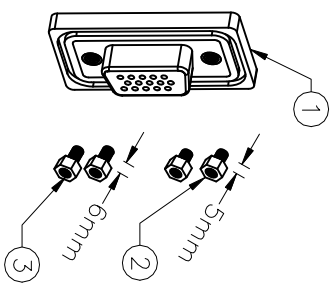
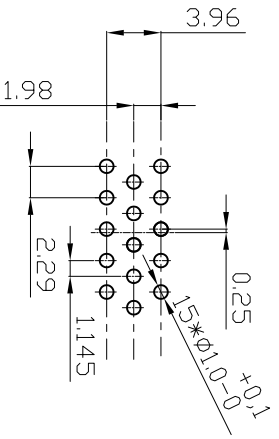


**A**  
Panel Thickness  
Screw L=5.0 For Panel Thickness Under 1.2mm  
Screw L=6.0 For Panel Thickness Between 1.2-2.0mm



- NOTES:**
- MATERIAL**
1. Insulator Material: Black, NYLON+G/F
  2. Contact Material : Copper Alloy
  3. Plating : Gold Plating
  4. Waterproof Rate: IP67
  5. Do Mating Test After Glued



**F**  
**RoHS compliant**

Scale	1:1
TOLERANCE	
X.X	±0.25
X.XX	±0.10
X.XXX	±0.05
DIM	TOL
ANGLE	±1°
X.X°	±X°
Angle	TOL
Id.	1
Modification	2
Date	24.12.2008
Name	JACK
Date	19.01.2018
Name	Tom
Date	24.12.2008
Name	JACK
Date	23.01.2018
Name	Amy



15 Pin Female Connector  
PCB Pin Layout  
Scale 2:1

Customer-No.

ASSMANN WSW-No.  
**A-HDF 15 PP-WP**

Drawing-No.  
**ASS 3273 CO**

Replace Sheet

1 2 3 4 5 6 7