

1

2

3

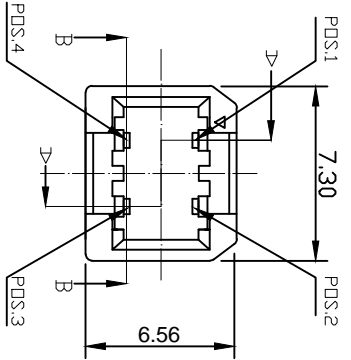
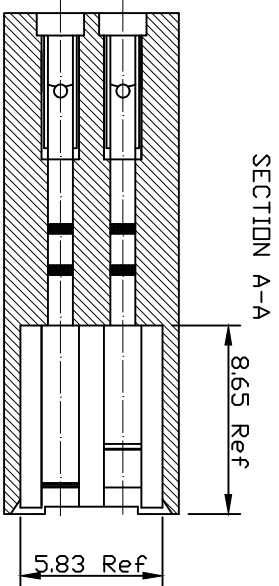
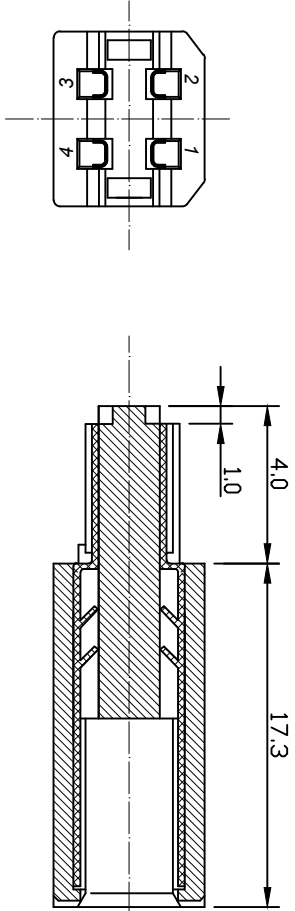
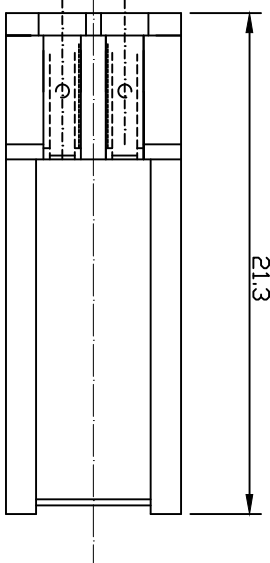
4

5

6

7

USB2.0 COMPLIANT



- NOTE:
- 1.INSULATION: PBT 30%GLASS FILLED UL94V-0 COLOR:WHITE
 - 2.CONTACT: COPPER ALLOY, Gold plated over 50-80u" Nickel ①
 - 3. SUPPLEMENT:
 - 3.1 P/N A-USBPB-BS and A-USBPB-TS are just for shell
 - 3.2 Below PN is for whole kit
 - A-USBPB-x
 - ① N SELECTIVE GOLD 5u"
 - ② SELECTIVE GOLD 30u"

ROHS compliant
Unit:mm

Scale	1:1																		
TOLERANCE																			
.XX	±0.10																		
.X	±0.20																		
X.	±0.50																		
XX.	±1																		
DIM	TOL																		
Angle	TOL																		

Customer-No.																			
ASSMANN WSW-No.																			
A-USBPB-X																			
Drawing-No.																			
ASS 8372 CO																			
Replace																			
rev01																			
Sheet																			
1 / 4																			

H

G

F

E

D

C

B

A

1

2

3

4

5

6

7

H

G

F

E

D

C

B

A

1

2

3

4

5

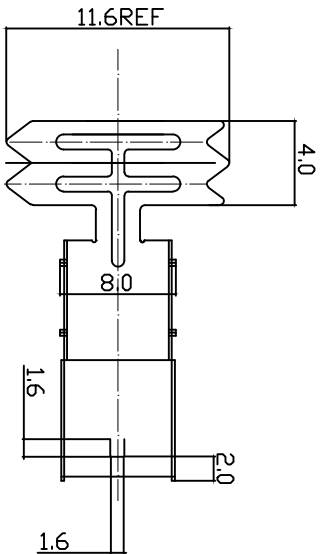
6

7

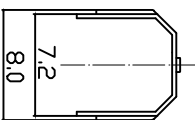
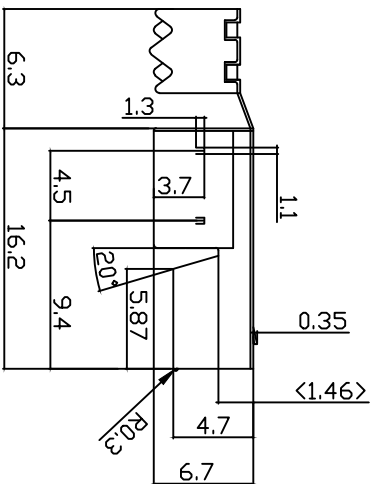
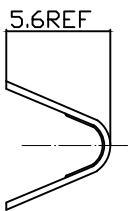
Top shell: A-USBPB-TS

A

- NOTE:
1. COLD ROLL STEEL, t=0.35mm
 2. FINISHES: 3.0um-5.0um NICKEL OVER 5.0um Min. COPPER
 3. APPLICATION CABLE SPEC.



AWG	Signal wires	Power wires	Jacket OD.	Cable length(max.)
28AWG x 1T.P.	28AWG x 2Cores		4.2mm	0.81m
28AWG x 1T.P.	26AWG x 2Cores		4.4mm	1.31m
28AWG x 1T.P.	24AWG x 2Cores		4.7mm	2.08m
28AWG x 1T.P.	22AWG x 2Cores		5.0mm	3.33m
28AWG x 1T.P.	20AWG x 2Cores		5.0mm	5.00m



ROHS compliant

Unit:mm

G

Scale	1:1								
TOLERANCE									
.XX	±0.10								
.X	±0.20								
X.	±0.50								
XX.	±1								
DIM	TOL								
Angle	TOL								

H

Id.	Modification	Date	Name	Date	Name
①	Add info of contact plating	20.06.2019	Xavier		
②	Drawn	12.04.2019	Xavier	12.04.2019	Winnie

Customer-No.

ASSMANN WSW-No.

A-USBPB-X

Drawing-No.

ASS 8372 CO

rev01

Replace

Sheet 2 / 4

1

2

3

4

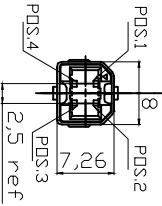
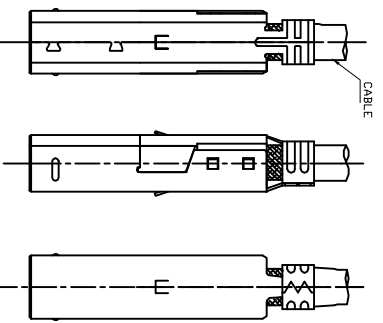
5

6

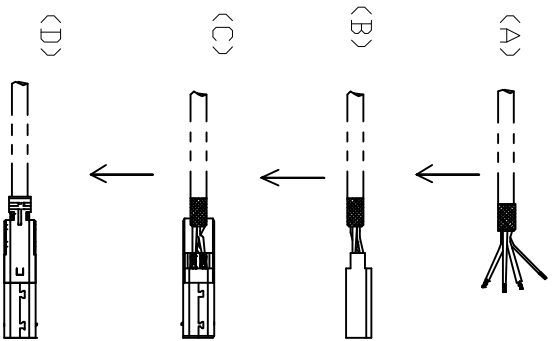
7

G

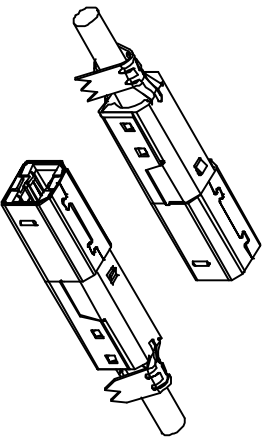
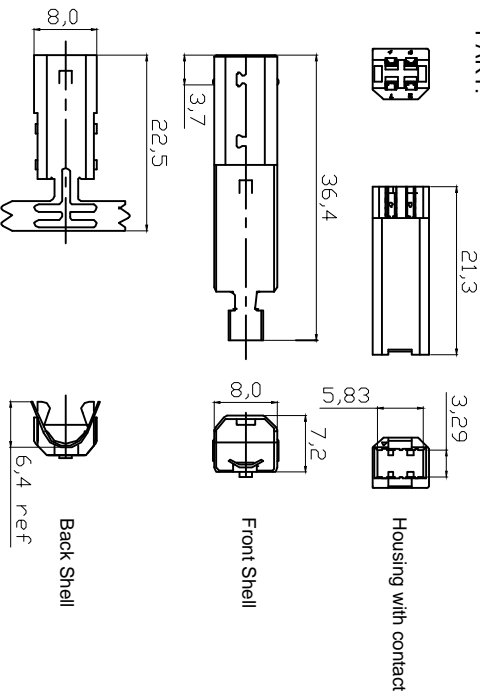
H



ASSEMBLY PROCESS



PART:



NOTES:
 Rating:
 Voltage: 30VAC (R.M.S)
 Current: 1,5 AMPERE MINIMUM PER CONTACT AT 30°C T-RISE
 TEMPERATURE: -55°C TO +85°C UNLESS LIMITED BY CABLE (OR
 OVERMOLD) (40°C TO +60°C STORAGE; 0°C TO +40 °C (PRELATING))
 ELECTRIC RESISTANCE: 30 MEGOHMS MAXIMUM INITIAL
 INSULATION RESISTANCE: 1000 MEGOHMS MINIMUM
 DIELECTRIC WITHSTANDING VOLTAGE: 500VAC AT SEA LEVEL
 CAPACITANCE: 2 PICOFARADS MAXIMUM AT 1KHZ
 MODIFICATION SEAM DIRECTION CIRCUMGYRATE: 180 DEGREE

ROHS compliant
 Unit:mm

Scale	1:1									
TOLERANCE										
.XX	±0.05				Drawn	12.04.2019	Xavier			
.X	±0.10				Approved	12.04.2019	Winnie			
X.	±0.15									
DIM	TOL									
X°	±3°									
X°	±1.0°									
Angle	TOL									

1	2	3	4	5	6	7
---	---	---	---	---	---	---



Customer-No.					
ASSMANN WSW-No.					
A-USBPB-X					
Drawing-No.					
ASS 8372 CO					
Replace					
rev01					
Sheet					
4 / 4					