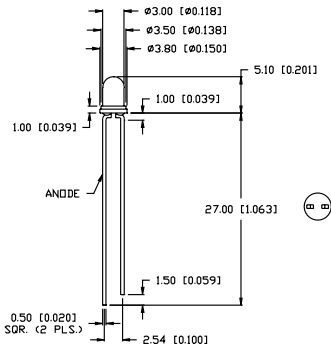


SSL-LX305D4 Series

T-3mm Dual Flange



FEATURES / OPTIONS

- ▶ State-of-the-Art, High Brightness Chip Technology
- ▶ Choice of Colors and Lens Finishes
- ▶ Lead Frame / Lens Casting Reliability
- ▶ Easy-to-Solder Leads, Tin Finish
- ▶ Available Bulk or on Tape and Reel
- ▶ Lead Trimming and Forming Available
- ▶ Custom Shapes, Easily Tooled, Low Minimum
- ▶ Blinking LED
- ▶ With Internal Resistor for 5V and 12V Operation

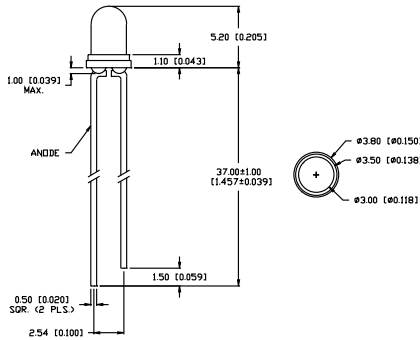
APPLICATIONS / USES

- ▶ Board or Panel Indication or Illumination
- ▶ Backlighting of Overlays and Graphics
- ▶ Annunciator and Control Panels
- ▶ Keyboards and Switches
- ▶ Telecom Switches and Central Station Equipment
- ▶ Signs, Warning Lights, Displays

Lumex Part Number	Die Material	Emitted Color	Peak (nm)	Lens	Operating Current (mA)	Operating TYP. Vf (V)	Brightness TYP. Mcd	@ mA	View Angle° 2θ
HIGH BRIGHTNESS									
SSL-LX305D4SID	AllInGaP	Super High Intensity Red	636	Red Diffused	5-25	2	120	20	60
SSL-LX305D4SOD	AllInGaP	Super Orange	610	Orange Diffused	5-25	2	80	20	60
SSL-LX305D4SUGD	AllInGaP	Super Ultra Green	574	Green Diffused	5-25	2.2	60	20	60
SSL-LX305D4SYD	AllInGaP	Super Yellow	590	Yellow Diffused	5-25	2	60	20	60
SSL-LX305D4USBD	InGaN/SiC	Ultra Super Blue	470	Blue Diffused	5-25	3.5	60	20	60
STANDARD BRIGHTNESS									
SSL-LX305D4GD	GaP	Green	565	Green Diffused	5-25	2.2	15	20	60
SSL-LX305D4ID	GaAsP	High Intensity Red	635	Red Diffused	5-25	2	25	20	60
SSL-LX305D4YD	GaAsP	Yellow	585	Yellow Diffused	5-25	2.1	15	20	60

SSL-LX305D8 Series

T-3mm Dual Flange, Long Leads



FEATURES / OPTIONS

- ▶ State-of-the-Art, High Brightness Chip Technology
- ▶ Choice of Colors and Lens Finishes
- ▶ Lead Frame / Lens Casting Reliability
- ▶ Easy-to-Solder Leads, Tin Finish
- ▶ Available Bulk or on Tape and Reel
- ▶ Lead Trimming and Forming Available
- ▶ Custom Shapes, Easily Tooled, Low Minimum
- ▶ Blinking LED
- ▶ With Internal Resistor for 5V and 12V Operation

APPLICATIONS / USES

- ▶ Board or Panel Indication or Illumination
- ▶ Backlighting of Overlays and Graphics
- ▶ Annunciator and Control Panels
- ▶ Keyboards and Switches
- ▶ Telecom Switches and Central Station Equipment
- ▶ Signs, Warning Lights, Displays

Lumex Part Number	Die Material	Emitted Color	Peak (nm)	Lens	Operating Current (mA)	Operating TYP. Vf (V)	Brightness TYP. Mcd	@ mA	View Angle° 2θ
HIGH BRIGHTNESS									
SSL-LX305D8SID	AllInGaP	Super High Intensity Red	636	Red Diffused	5-25	2	120	20	60
SSL-LX305D8SOD	AllInGaP	Super Orange	610	Orange Diffused	5-25	2	80	20	60
SSL-LX305D8SUGD	AllInGaP	Super Ultra Green	574	Green Diffused	5-25	2.2	60	20	60
SSL-LX305D8SYD	AllInGaP	Super Yellow	590	Yellow Diffused	5-25	2	60	20	60
SSL-LX305D8USBD	InGaN/SiC	Ultra Super Blue	470	Blue Diffused	5-25	3.5	60	20	60
STANDARD BRIGHTNESS									
SSL-LX305D8GD	GaP	Green	565	Green Diffused	5-25	2.2	15	20	60
SSL-LX305D8ID	GaAsP	High Intensity Red	635	Red Diffused	5-25	2	25	20	60
SSL-LX305D8SRD	GaAlAs	Super Red	660	Red Diffused	5-25	1.7	80	20	60
SSL-LX305D8YD	GaAsP	Yellow	585	Yellow Diffused	5-25	2.1	15	20	60



Mouser Electronics

Authorized Distributor

Click to View Pricing, Inventory, Delivery & Lifecycle Information:

Lumex:

[SSL-LX305D4ID](#) [SSL-LX305D4YD](#) [SSL-LX305D4GD](#)