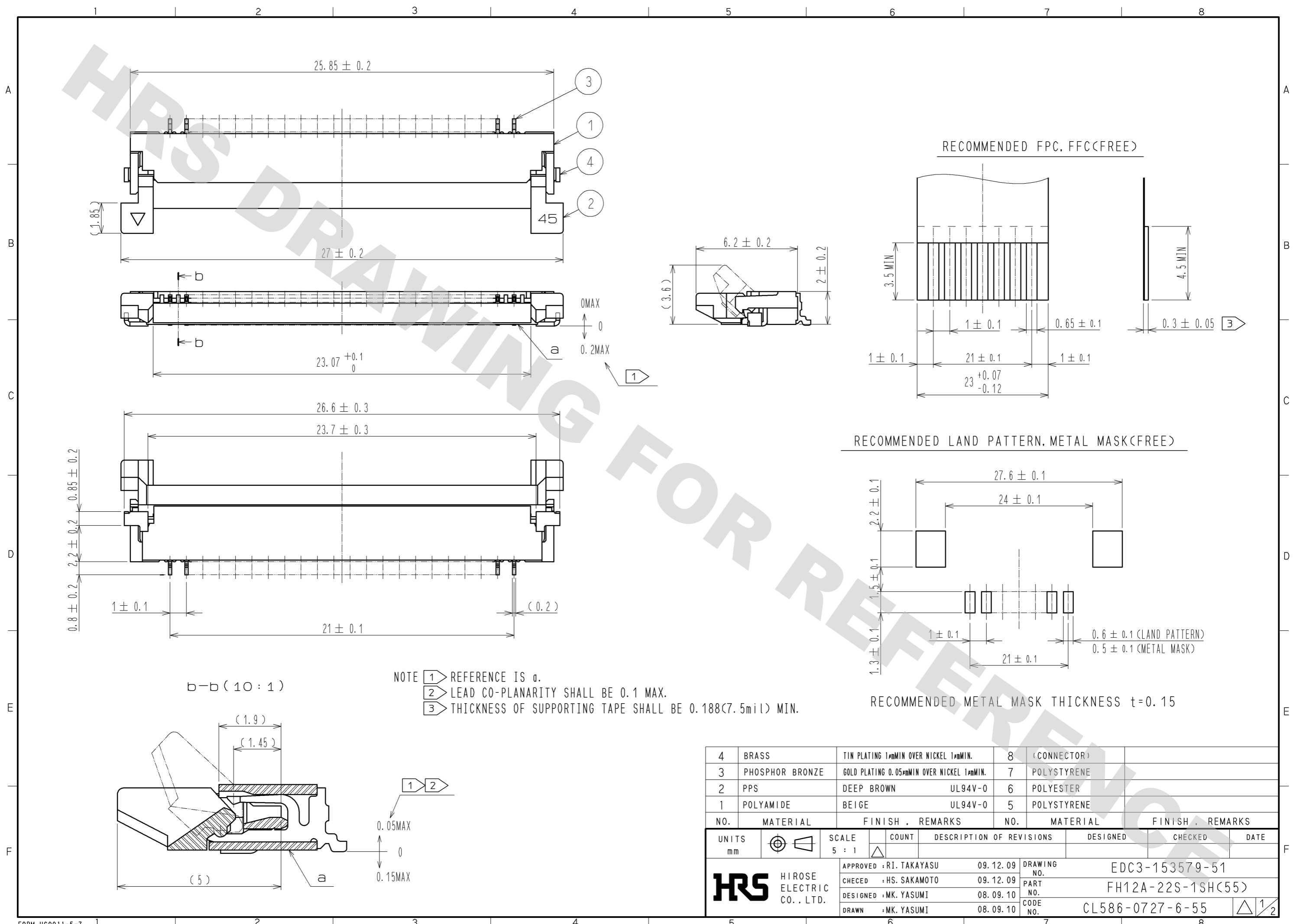
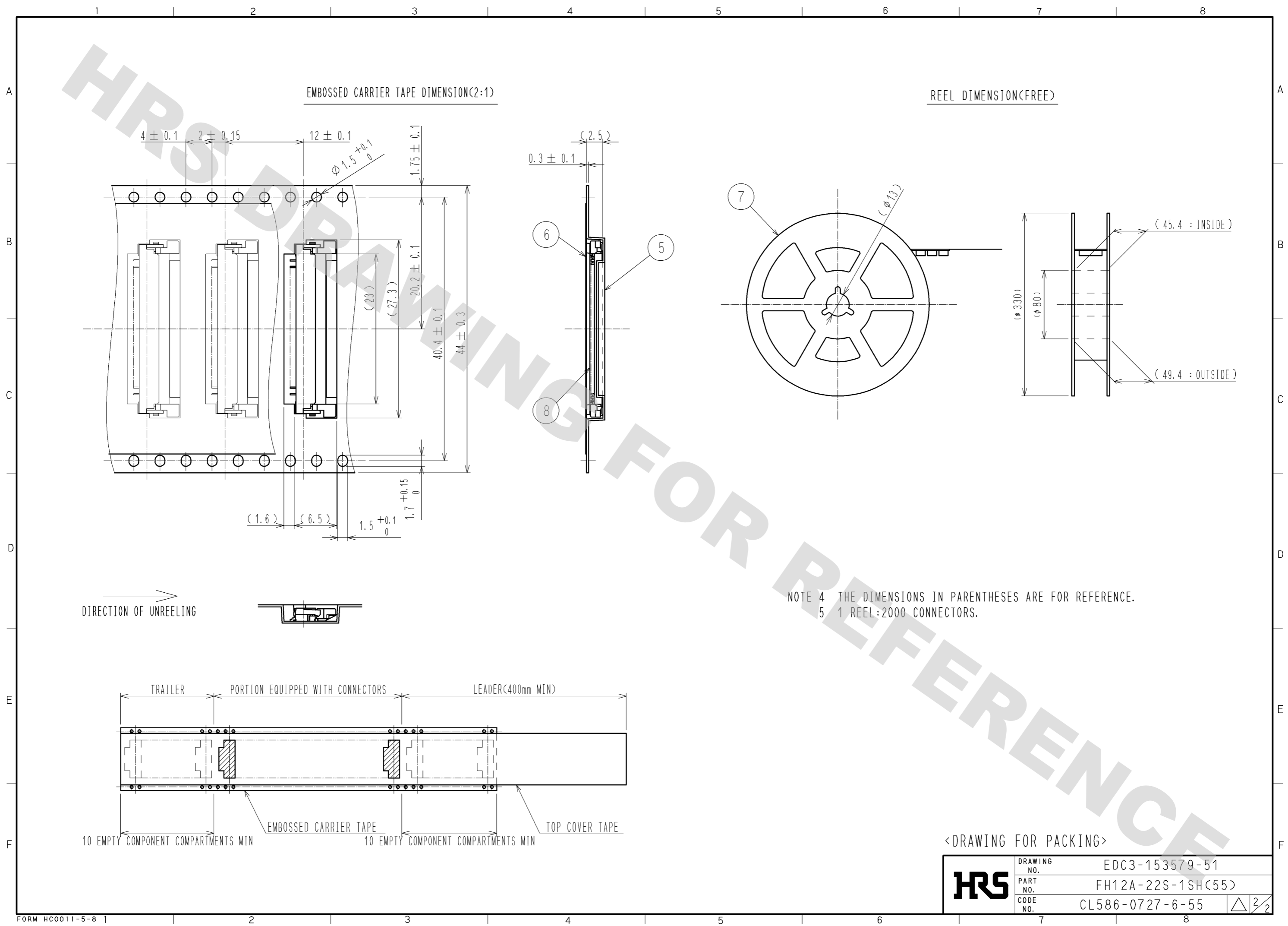


DRAWING FOR REFERENCE: This is subject to change without notice
08/11/2012



DRAWING FOR REFERENCE: This is subject to change without notice
08/11/2012



<DRAWING FOR PACKING>

HRS	DRAWING NO.	EDC3-153579-51
	PART NO.	FH12A-22S-1SH(55)
	CODE NO.	CL586-0727-6-55
		△ 2/2

Mouser Electronics

Authorized Distributor

Click to View Pricing, Inventory, Delivery & Lifecycle Information:

[Hirose Electric:](#)

[FH12A-22S-1SH\(55\)](#)