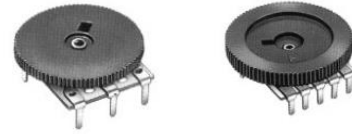


10mm Thin Micro Potentiometer

Application

- ✓ TV/Video, Audio, Home appliance, Musical Instruments, Industrial control



Feature

- ✓ Low-profile

■Specification

Rated Power	0.03W
Total Resistance Tolerance	±20%
Insulation Resistance	100MΩ min. at DC100V
Dielectric Strength	AC100V for 1 minute
Total Rotational Angle	270±5°
Rotational Torque	10-100 gf.cm
Rotation Life	10,000 cycles

■How to order

RV100F-30 – 6K2B - B10K – B301

[Model](#)

[Knob Type](#)

Taper and Resistance Value

Ex:

Order Code	Taper	Resistance Value
A100K	Audio/Log/A	100KΩ
B1M	Linear/B	1MΩ
C500K	Rev-log/C	500KΩ

Taper: A, B and C

Resistance Value: 1KΩ to 500KΩ and 1MΩ

*Contact us for other requirements.


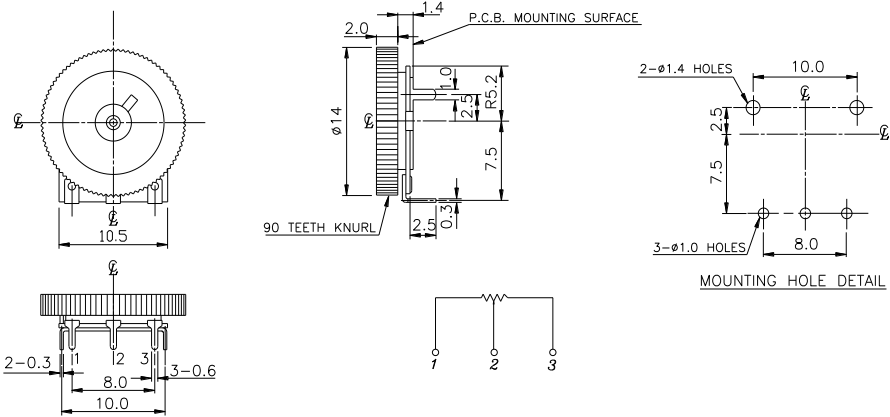

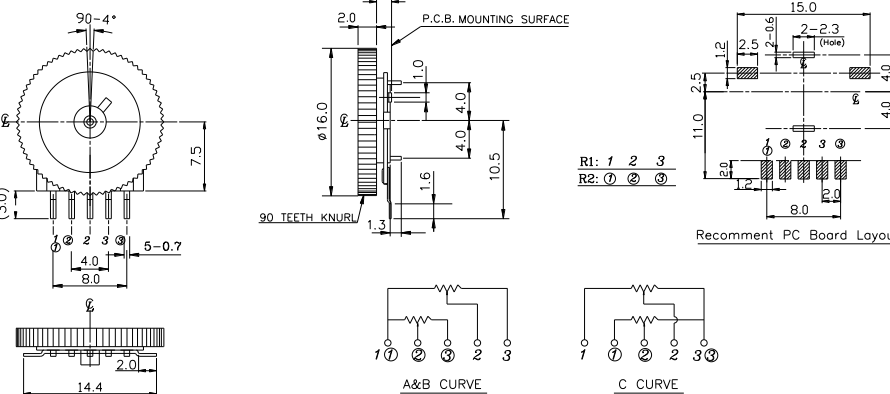

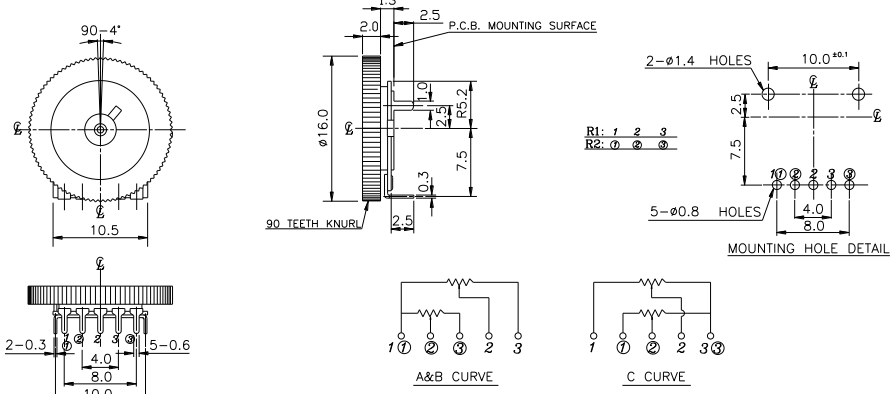
Knob

Order Code	Description
B309	With knob

10mm Thin Micro Potentiometer

Model Description

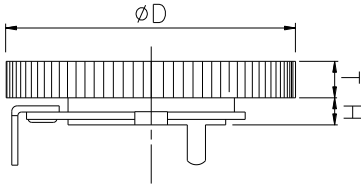
Model	Number of Unit	Terminal Type	Rotational Angle
RV100F-30	Single unit	Vertical	270°±5°
RV102F-20	Dual unit	Horizontal	270°±5°
RV102F-30	Dual unit	Vertical	270°±5°

Order Code	Outline Drawing
RV100F-30 	
RV102F-20 	
RV102F-30 	

[Back to top](#)

10mm Thin Micro Potentiometer

■ Knob Type



Order Code	Knob Diameter (D)	Number of Teeth Knurl	Knob Thickness (T)	Mounting Surface Height (H)
4K1B	$\phi 14$	90	1.0 mm	1.3 mm
4K2B	$\phi 14$	90	2.0 mm	1.3 mm
4K3B	$\phi 14$	90	2.8 mm	1.3 mm
4K3C	$\phi 14$	90	2.8 mm	1.95 mm
6K1B	$\phi 16$	90	1.0 mm	1.3 mm
6K2B	$\phi 16$	90	2.0 mm	1.3 mm
8M1B	$\phi 18$	72	1.0 mm	1.3 mm
8M3B	$\phi 18$	72	2.8 mm	1.3 mm

Design and specifications presented here are for the standard parts only. Please kindly contact us for your special requests and ask for the current technical specifications before purchase and/or use.

[Back to top](#)

Mouser Electronics

Authorized Distributor

Click to View Pricing, Inventory, Delivery & Lifecycle Information:

[Alpha \(Taiwan\):](#)

[RV100F-30-4K1B-B10K-B301](#) [RV100F-30-4K1-B53](#) [RV100F-30-4K1-B13](#) [RV100F-30-8M2B-C10K-B301](#) [RV100F-30-4K1-B1M](#) [RV100F-30-4K1-B50K](#) [RV100F-30-4K1-B100K](#) [RV100F-30-4K1-B500K](#)