

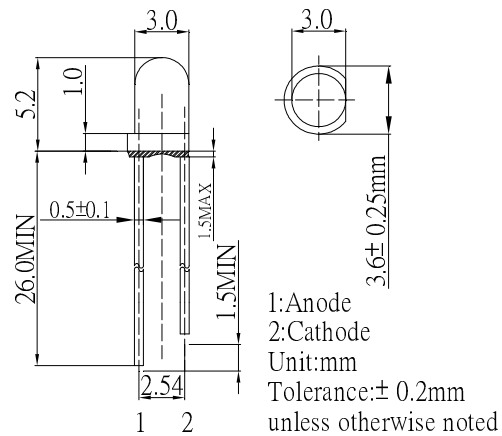
■ Features

- Standard LEDs
- 3mm Standard Directivity
- UV Resistant Epoxy
- Color Transparent Type

■ Applications

- Indications
- Audio
- Toys & Games
- General Use

■ Outline Dimension

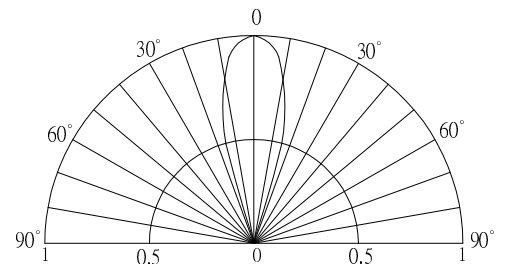


■ Absolute Maximum Rating

(Ta=25°C)

Item	Symbol	Value	Unit
		YG/Y/R	
DC Forward Current	I _F	30	mA
Pulse Forward Current#	I _{FP}	100	mA
Reverse Voltage	V _R	5	V
Power Dissipation	P _D	72	mW
Operating Temperature	T _{opr}	-30 ~ +85	°C
Storage Temperature	T _{stg}	-40 ~ +100	°C
Lead Soldering Temperature	T _{sol}	260°C/5sec	-




■ Directivity



#Pulse width Max.10ms Duty ratio max 1/10

■ Electrical -Optical Characteristics

(Ta=25°C)

Part Number	Color			V _F (V)			I _r (μA)	I _v (mcd)			λ _D (nm)			θ1/2 (deg)
				Min.	Typ.	Max.	Max.	Min.	Typ.	Max.	Min.	Typ.	Max.	Typ.
				I _F =20mA			V _R =5V	I _F =20mA						
OSG8NW3133A	Yellow Green	YG		1.8	2.0	2.4	10	-	150	-	565	570	575	30
OSY5LW3133A	Yellow	Y		1.8	2.0	2.4	10	-	220	-	585	590	595	30
OSR6LW3133A	Red	R		1.8	2.0	2.4	10	-	220	-	630	640	650	30

*1 Tolerance of measurements of dominant wavelength is ±1nm

*2 Tolerance of measurements of luminous intensity is ±15%

*3 Tolerance of measurements of forward voltage is ±0.1V