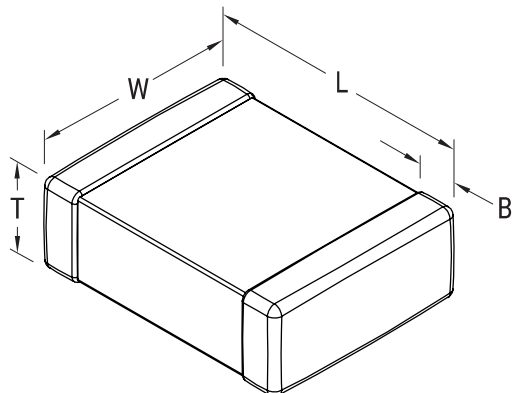


CBR-SMD RF COG, Ceramic, 2.6 pF, +/-0.1 pF, 250 VDC, COG, SMD, Fixed, RF, Ultra High Q, Low ESR, Class I, 0603



| Dimensions |                 |
|------------|-----------------|
| Chip Size  | 0603            |
| L          | 1.6mm +/-0.1mm  |
| W          | 0.8mm +/-0.1mm  |
| T          | 0.8mm +/-0.07mm |
| B          | 0.4mm +/-0.15mm |

| Packaging Specifications |                          |
|--------------------------|--------------------------|
| Packaging:               | T&R, 180mm, Plastic Tape |
| Packaging Quantity:      | 4000                     |

| General Information |  |
|---------------------|--|
| Series:             | CBR-SMD RF COG                                 |
| Style:              | SMD Chip                                       |
| Description:        | SMD, Fixed, RF, Ultra High Q, Low ESR, Class I |
| Features:           | Ultra High Q, Low ESR, Class I                 |
| RoHS:               | Yes  |
| Termination:        | Tin  |
| Marking:            | No   |
| AEC-Q200:           | No   |
| Notes:              | Solder Wave or Solder Reflow.                  |
| Shelf Life:         | 78 Weeks                                       |
| MSL:                | 1  |

| Specifications                   |                     |
|----------------------------------|---------------------|
| Capacitance:                     | 2.6 pF              |
| Capacitance Tolerance:           | +/-0.1 pF           |
| Voltage DC:                      | 250 VDC             |
| Dielectric Withstanding Voltage: | 500 VDC             |
| Temperature Range:               | -55/+125°C          |
| Temperature Coefficient:         | COG                 |
| Dissipation Factor:              | 0.221%              |
| Aging Rate:                      | 0% Loss/Decade Hour |
| Insulation Resistance:           | 10 GOhms            |
| Quality Factor:                  | 452                 |

Statements of suitability for certain applications are based on our knowledge of typical operating conditions for such applications, but are not intended to constitute - and we specifically disclaim - any warranty concerning suitability for a specific customer application or use. This Information is intended for use only by customers who have the requisite experience and capability to determine the correct products for their application. Any technical advice inferred from this Information or otherwise provided by us with reference to the use of our products is given gratis, and we assume no obligation or liability for the advice given or results obtained.