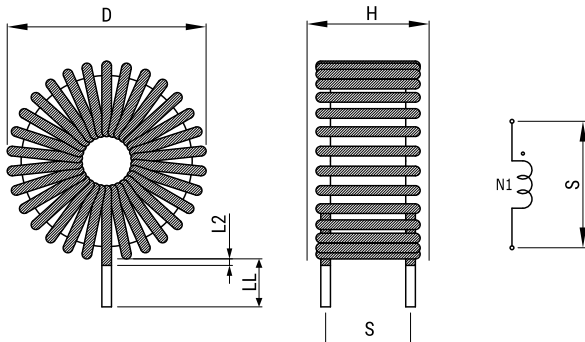


KEMET Part Number: SN8D-500
(UALSN8D5000000)

KEMET, SN, AC Line Filters, Normal Mode, 125 uH, MIN



Dimensions

D	17mm MAX
H	13mm MAX
LL	20mm +/-2mm
S	10.5mm NOM
L2	1.5mm MAX

Packaging Specifications

Packaging:	Bulk
Packaging Quantity:	1800
Weight:	7.3 g

General Information

Series:	SN
Style:	Through-Hole
Features:	Compact Size
RoHS:	Yes
Miscellaneous:	27 (K) Temperature Rise Max.

Specifications

Inductance:	125 uH (0.1 MHz)
Inductance Tolerance:	MIN
Current:	2 A
Temperature Range:	-25/+105°C
DC Resistance:	100 mOhms

Statements of suitability for certain applications are based on our knowledge of typical operating conditions for such applications, but are not intended to constitute - and we specifically disclaim - any warranty concerning suitability for a specific customer application or use. This Information is intended for use only by customers who have the requisite experience and capability to determine the correct products for their application. Any technical advice inferred from this Information or otherwise provided by us with reference to the use of our products is given gratis, and we assume no obligation or liability for the advice given or results obtained.