

Customer Information Sheet

DRAWING No.: M22-203XXX

SHEET 2 OF 2

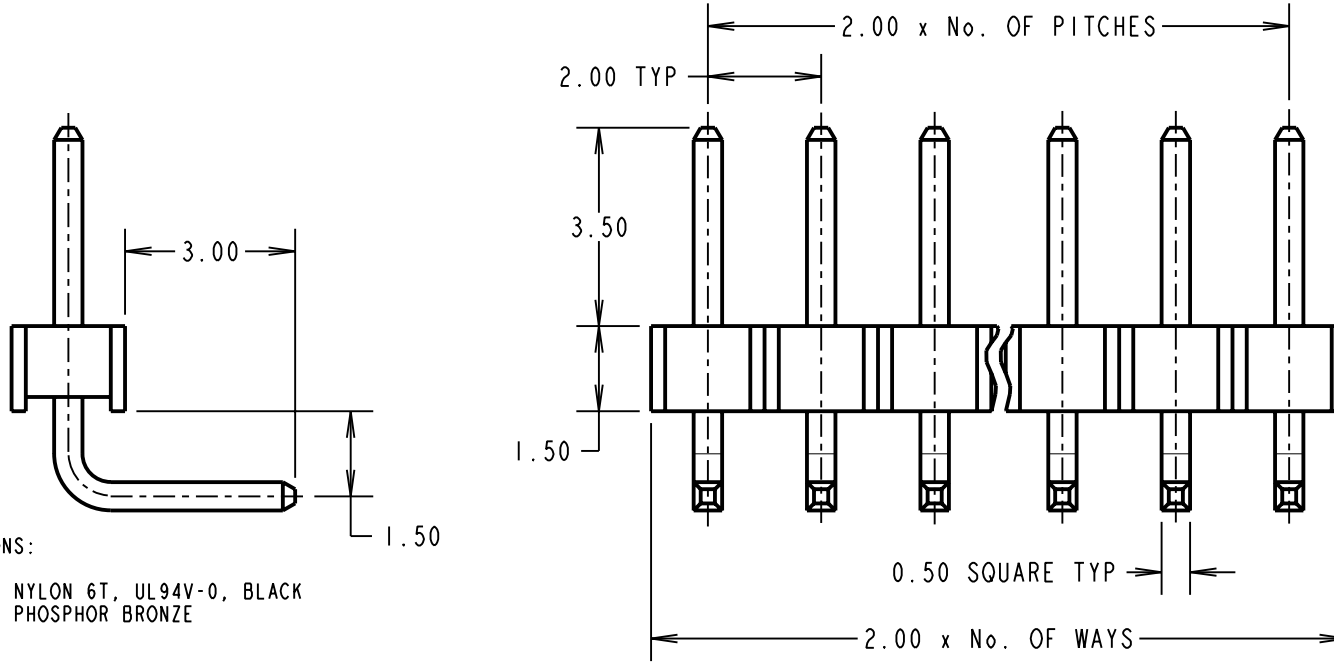
IF IN DOUBT - ASK

©

NOT TO SCALE

THIRD ANGLE PROJECTION

ALL DIMENSIONS IN mm



ORDER CODE:
M22-203XXX
 No. OF WAYS PER ROW
 02 - 50
 FINISH
 05 = GOLD OVER NICKEL
 46 = 100% TIN OVER NICKEL

SPECIFICATIONS:

MATERIAL:
 MOULDING = NYLON 6T, UL94V-0, BLACK
 CONTACTS = PHOSPHOR BRONZE

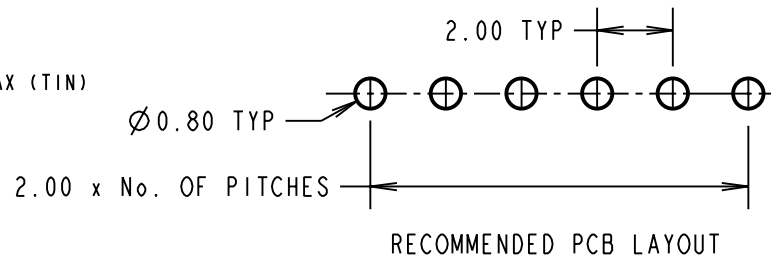
FINISH:
 05 = GOLD
 46 = 100% TIN

ELECTRICAL:
 CURRENT RATING = 1A
 VOLTAGE PROOF = 650V AC
 CONTACT RESISTANCE (INITIAL) = 15 mΩ MAX (GOLD), 20 mΩ MAX (TIN)
 CONTACT RESISTANCE (AFTER CONDITIONING) = 20 mΩ MAX (GOLD), 30 mΩ MAX (TIN)
 INSULATION RESISTANCE (INITIAL) = 1,000 MΩ MIN
 INSULATION RESISTANCE (AFTER CONDITIONING) = 100 MΩ MIN

MECHANICAL:
 DURABILITY = 300 OPERATIONS (GOLD), 50 OPERATIONS (TIN)
 INSERTION FORCE = 2N MAX
 WITHDRAWAL FORCE = 0.3N MIN

ENVIRONMENTAL:
 TEMPERATURE RANGE = -55°C TO +105°C

PACKING:
 BAG
 FOR COMPLETE SPECIFICATION, SEE
 COMPONENT SPECIFICATION C018XX (LATEST ISSUE)



NOTES:

1. ALL TOLERANCES ARE ±0.20 UNLESS OTHERWISE STATED.

CP	8	16.11.09	10568
NAME	ISS.	DATE	C/NOTE
APPROVED: C. PENROSE			
CHECKED: R. ADDE			
DRAWN: P. D. COLLINS			
CUSTOMER REF.:			
ASSEMBLY DRG:			

HARWIN

HARWIN USA TEL: 603 893 5376 FAX: 603 893 5396 mis@harwin.com	HARWIN Europe (UK) TEL: 023 9231 4545 FAX: 023 9231 4590 mis@harwin.co.uk	HARWIN Asia TEL: +65 6 779 4909 FAX: +65 6 779 3868 mis@harwin.com.sg
--	--	--

THIS DRAWING AND ANY INFORMATION OR DESCRIPTIVE MATTER SET OUT HEREON ARE CONFIDENTIAL AND COPYRIGHT PROPERTY OF THE HARWIN GROUP AND MUST NOT BE DISCLOSED, LOANED, COPIED OR USED FOR MANUFACTURING, TENDERING OR FOR ANY OTHER PURPOSE WITHOUT THEIR WRITTEN PERMISSION.

TOLERANCES
~~X = ±1mm~~
~~X.X = ±0.25mm~~
~~X.XX = ±0.10mm~~
~~X.XXX = ±0.01mm~~
 ANGLES = ±5°
 UNLESS STATED

MATERIAL:
 SEE ABOVE
FINISH: SEE ABOVE
S/AREA: mm²

TITLE:
 2.00mm PITCH SIL HORIZONTAL
 PC TAIL PIN HEADER ASSEMBLY
DRAWING NUMBER:
M22-203XXX
 SHT 2 OF 2