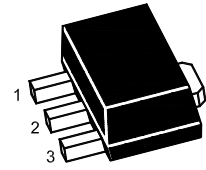


2SB772U

PNP Silicon Epitaxial Power Transistor

These devices are intended for use in audio frequency power amplifier and low speed switching applications



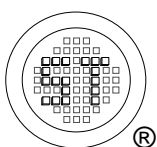
1.Base 2.Collector 3.Emitter
SOT-89 Plastic Package

Absolute Maximum Ratings ($T_a = 25^\circ\text{C}$)

Parameter	Symbol	Value	Unit
Collector Base Voltage	$-V_{\text{CBO}}$	40	V
Collector Emitter Voltage	$-V_{\text{CEO}}$	30	V
Emitter Base Voltage	$-V_{\text{EBO}}$	5	V
Collector Current	$-I_{\text{C}}$	3	A
Peak Collector Current (t = 350 μs)	$-I_{\text{CP}}$	7	A
Base Current	$-I_{\text{B}}$	0.6	A
Total Power Dissipation @ $T_a = 25^\circ\text{C}$	P_{D}	1	W
Total Power Dissipation @ $T_c = 25^\circ\text{C}$	P_{D}	10	W
Operating and Storage Junction Temperature Range	T_j, T_{stg}	- 55 to + 150	$^\circ\text{C}$

Characteristics at $T_a = 25^\circ\text{C}$

Parameter	Symbol	Min.	Typ.	Max.	Unit
DC Current Gain at $-V_{\text{CE}} = 2\text{ V}$, $-I_{\text{C}} = 20\text{ mA}$ at $-V_{\text{CE}} = 2\text{ V}$, $-I_{\text{C}} = 1\text{ A}$ Current Gain Group	R	30	-	-	-
	Q	60	-	120	-
	P	100	-	200	-
	E	160	-	320	-
			200	-	400
Collector Base Cutoff Current at $-V_{\text{CB}} = 30\text{ V}$	$-I_{\text{CBO}}$	-	-	1	μA
Emitter Base Cutoff Current at $-V_{\text{EB}} = 3\text{ V}$	$-I_{\text{EBO}}$	-	-	1	μA
Collector Base Breakdown Voltage at $-I_{\text{C}} = 1\text{ mA}$	$-V_{(\text{BR})\text{CBO}}$	40	-	-	V
Collector Emitter Breakdown Voltage at $-I_{\text{C}} = 1\text{ mA}$	$-V_{(\text{BR})\text{CEO}}$	30	-	-	V
Emitter Base Breakdown Voltage at $-I_{\text{E}} = 1\text{ mA}$	$-V_{(\text{BR})\text{EBO}}$	5	-	-	V
Collector Emitter Saturation Voltage at $-I_{\text{C}} = 2\text{ A}$, $-I_{\text{B}} = 200\text{ mA}$	$-V_{\text{CE}(\text{sat})}$	-	-	0.5	V
Base Emitter Saturation Voltage at $-I_{\text{C}} = 2\text{ A}$, $-I_{\text{B}} = 200\text{ mA}$	$-V_{\text{BE}(\text{sat})}$	-	-	2	V
Current Gain Bandwidth Product at $-V_{\text{CE}} = 5\text{ V}$, $-I_{\text{C}} = 100\text{ mA}$	f_{T}	-	80	-	MHz
Output Capacitance at $-V_{\text{CB}} = 10\text{ V}$, $f = 1\text{ MHz}$	C_{ob}	-	55	-	pF

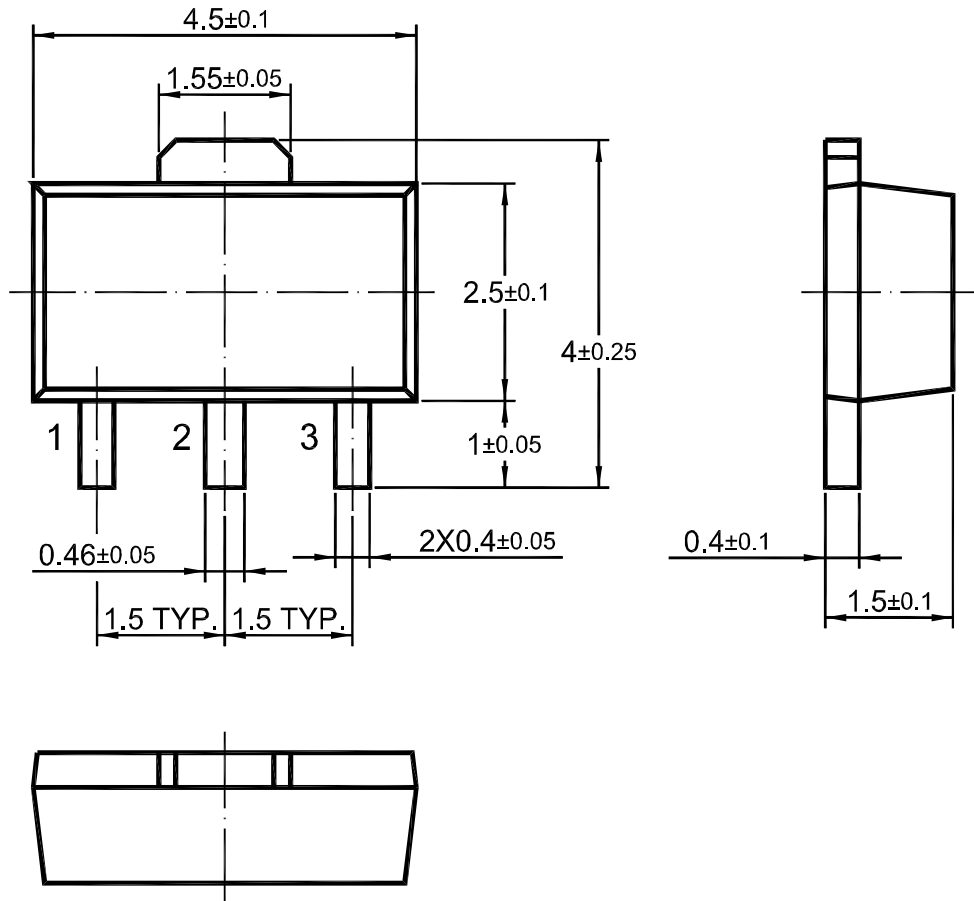


SEMTECH ELECTRONICS LTD.

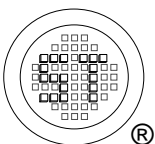


2SB772U

SOT-89 PACKAGE OUTLINE



Dimensions in mm



SEMTECH ELECTRONICS LTD.



Dated : 17/02/2016 Rev: 04