

DIN Rail Mounting Enclosures for
Embedded Systems
(Manufactured by Italtronic SRI. Padova, Italy)

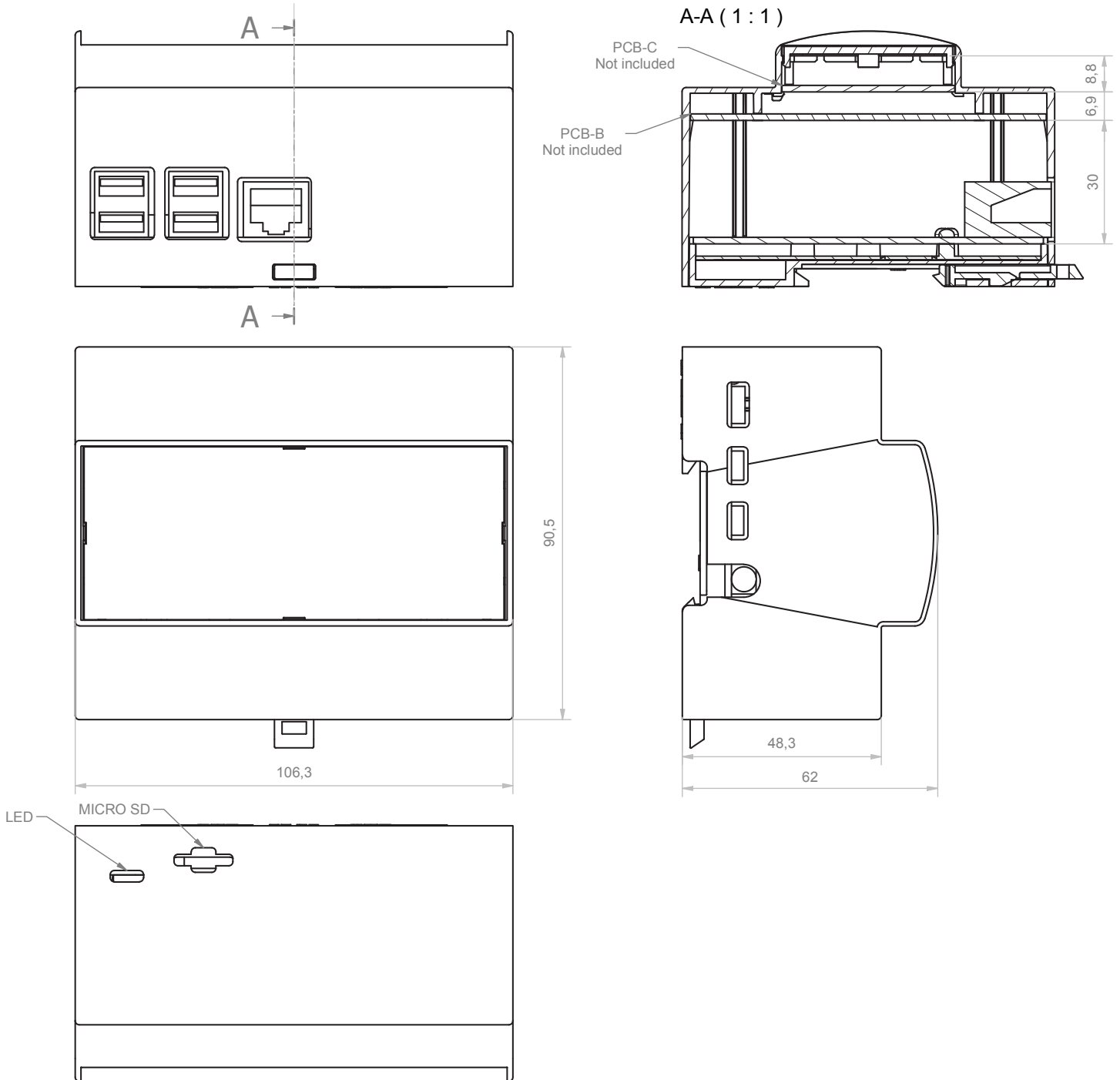


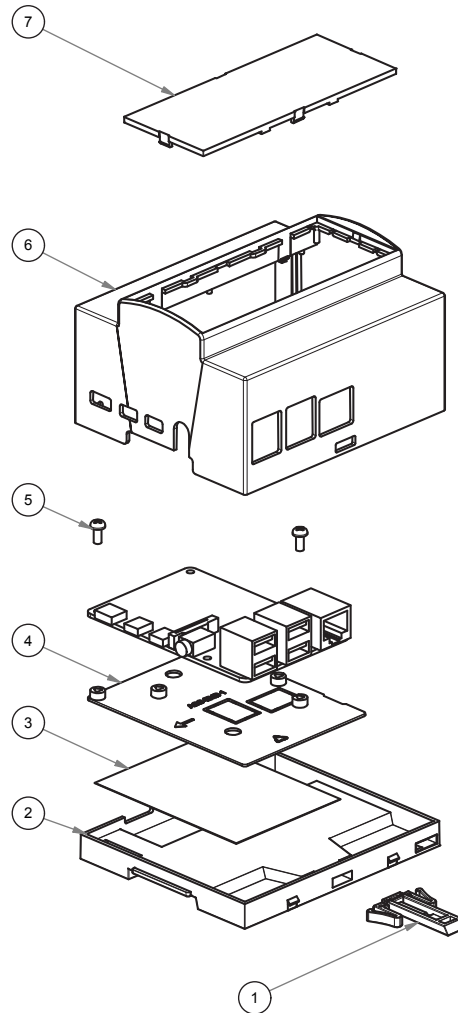
P/N - 25.0610000.RP4

Raspberry Pi 4 DIN Rail Enclosure, with space for additional PCB

KIT Supplied includes:

Base, Enclosure Body, DIN Rail Hook, Transparent Top Panel





| PBC TYPE | PBC DIMENSION | TOLERANCE |
|----------|---------------|------------|
| B | 67.6X86.4X1.6 | +/- 0.1 mm |
| C | 67.4X42.0X1.6 | +/- 0.1 mm |

| RIF. | Q.TY | DESCRIPTION | DRAWING |
|------|------|---|-------------|
| 1 | 1 | MODULAR HOOK LONG | 2_250_00072 |
| 2 | 1 | BASE 6M XT RASPBERRY B+/3 FOR BASE EMBEDDED ACCESSORY | 1_001_07810 |
| 3 | 1 | ADHESIVE FOR ACCESSORY BASE EMBEDDED | 2_050_00005 |
| 4 | 1 | ACCESSORY FOR BASE EMBEDDED EMB1 | 2_050_00001 |
| 5 | 2 | SCREW 2.9 X 6.5 TRUNC | 8_100_00003 |
| 6 | 1 | BODY ENCLOSURE 6M XTS RASPBERRY Pi4 | 2_050_00028 |
| 7 | 1 | PANEL 6M WITHOUT FRAME | 1_001_00155 |