

TWN4 SLIM

FLAT AND COMPACT RFID READER/WRITER SUPPORTING LF, HF, NFC AND BLE



TWN4 Slim – front view



TWN4 Slim – rear view

The new TWN4 Slim is Elatec's smallest compact and flat RFID reader – it's smaller than an ID-1 card. TWN4 Slim supports a huge range of LF and HF technologies (125 kHz and 13.56 MHz). With the support of NFC and Bluetooth Low Energy the reader supports mobile use cases for data communication and authentication. It can be operated as a stand-alone unit connected using a standard cable with a micro USB plug to PCs and other devices with USB interface.

TWN4 Slim is perfectly suited to embed it into machines and devices, and especially MFP printers with optional clip-on snap-in cover.

Special features:

- + Standalone operation and flush-mount integration into printers and other industrial applications
- + Mounting holes for easy and fast installation
- + Integrated LF and HF antennas
- + One socket for Secure Access Modules (SAM) cards, ID-000 form factor
- + Flexible cable with micro USB connector
- + Supported USB stacks: keyboard emulation, virtual comport and CCID/PCSC
- + Integrated BLE module 2.4 GHz for data communication and authentication, BLE v4.2, upgradable
- + Supports fast (re)configuration over network and over wireless interface with TWN4 CONFIG Card
- + Direct chip-commands support
- + Powerful SDK for writing apps which are executed directly on the reader
- + Onboard 18 kB flash storage, e.g. for storing user accessible non-volatile data
- + TWN4 Upgrade Card for P and PI options available on request
- + Customizable design inlay
- + 3D construction data (STEP) on request



Elevator



EV Chargers



Access



Shop POS



Fitness Equipment



Ticket POS



PC Log-on



Document Management



Driver ID



Vending



Parking



Gaming



Locker Locks



Time Attendance



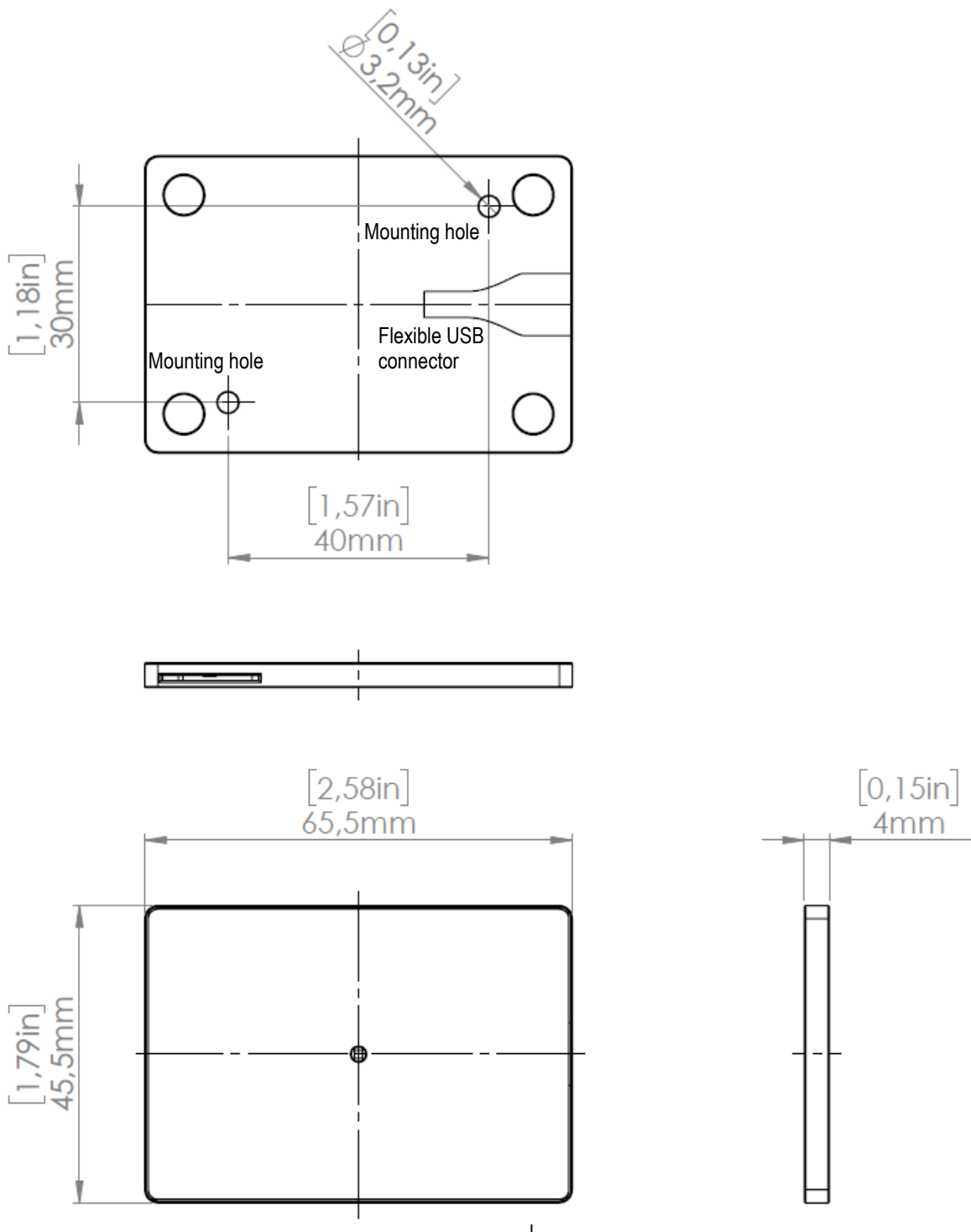
Industrial PC

TECHNICAL DATA	
FREQUENCY	125 kHz (LF) / 13.56 MHz (HF) / 2.4 GHz (BLE)
ANTENNAS	Integrated
HOUSING	ABS+PC blend, UL94-V0, color: black (core unit, clip adapter). Two 3.2 mm (0.13 inches) mounting holes for OEM integration (requires special inlay)
DIMENSIONS (L X W X H)	65.5 mm x 45.5 mm x 4.0 mm (2.6 inch x 1.8 inch x 0.16 inch)
POWER SUPPLY	4.3 V - 5.5 V via micro USB
CURRENT CONSUMPTION	Idle: 70 mA, RF field on: 135 mA typically (preliminary)
TEMPERATURE RANGE	Operating: -20 °C up to +60 °C (-4 °F up to +140 °F) Storage: -30 °C up to +70 °C (-22 °F up to +158 °F)
RELATIVE HUMIDITY	5% to 95% non-condensing
READ- / WRITE DISTANCE	LF and HF: Up to 80 mm (3.15 inch), depending on environment and transponder
TRANSMISSION SPEED	Host: USB Full speed (12 Mbit/s), HF Air: up to 848 kbit/s, BT Air: up to 100 kbit/s
OPERATING MODES (USB)	USB keyboard emulation – USB virtual COM port – CCID / PC/SC 2.01
BLUETOOTH LOW ENERGY	Bluetooth V4.2, upgradable; standards as GAP, SM, L2CAP, ATT; predefined GATT structure; AES128 supported
MTBF	500,000 hours
WEIGHT	Approx. 18 g (0,64 oz), (without cable and holder)
SUPPORTED TRANSPONDERS (STANDARD) 13,56 MHz	<p>ISO14443A: LEGIC Advant¹⁾, MIFARE Classic, MIFARE Classic EV1²⁾, MIFARE Mini, MIFARE DESFire EV1, MIFARE DESFire EV2²⁾, MIFARE DESFire Light⁶⁾, MIFARE Plus S, X, MIFARE Pro X³⁾, MIFARE Ultralight, MIFARE Ultralight C, MIFARE Ultralight EV1, NTAG2xx, SLE44R35, SLE66Rxx (my-d move)⁴⁾, Topaz</p> <p>ISO14443B: Calypso³⁾, Calypso Innovatron protocol³⁾, CEPAS³⁾, HID iCLASS¹⁾, Moneo³⁾, PicoPass⁴⁾, SRI4K, SRIX4K, SRI512, SRT512</p> <p>ISO18092 ECMA-340: NFC Forum Tag 1-5, NFC Peer-to-Peer, Sony FeliCa⁵⁾, NFC Active and passive communication mode</p> <p>ISO15693: EM4x33³⁾, EM4x35³⁾, HID iCLASS¹⁾, HID iCLASS SE/SR¹⁾, ICODE SLI, LEGIC Advant¹⁾, M24LR16/64, MB89R118/119, SRF55Vxx (my-d vicinity)³⁾, Tag-it, PicoPass⁴⁾</p>
SUPPORTED TRANSPONDERS (STANDARD) 125 kHz ¹¹⁾	AWID, Cardax, CASI-RUSCO, Deister ⁶⁾ , EM4100, 4102, 4200 ⁷⁾ , EM4050, 4150, 4450, 4550, EM4305 ⁸⁾ , HITAG 1 ⁹⁾ , HITAG 2 ⁹⁾ , HITAG S ⁹⁾ , ICT ⁸⁾ , IDTECK, Isonas, Keri, Miro, Nedap ⁶⁾ , Pyramid, Q5, T5557, T5567, T5577, TITAN (EM4050), UNIQUE, ZODIAC
SUPPORTED TRANSPONDERS (OPTION P)	All standard transponders, Cotag, G-Prox ⁶⁾ , HID DuoProx II, HID ISO Prox II, HID Micro Prox, HID ProxKey III, HID Prox, HID Prox II, Indala, ioProx, Nexwatch
SUPPORTED TRANSPONDERS (OPTION PI)	Requires TWN4 SIO Card, all standard transponders, all option P transponders, HID iCLASS, HID iCLASS SE/SR/Elite, HID iCLASS SEOS (Facility Code/PAC) ¹⁰⁾
OS SUPPORT	Windows XP, Vista, Embedded CE ⁸⁾ , 7 (32-/64-bit), 8, 8.1, 10, Linux, Android ⁸⁾ , iOS ⁸⁾ , MAC OS X ⁸⁾
PERIPHERAL INTERFACES	Female micro USB, flexible cable, use only with CAB-BS1 – CAB-BS7 shielded cables
CERTIFICATION NAME	TWN4 Slim
CERTIFICATION(S)	CE(REDE), REACH and RoHS-III compliant, FCC, IC, ACMA – pending
ORDER CODE(S)	<p>Standalone reader without cable</p> <p>T4QC-FC3B7 TWN4 Slim T4QC-FC3B7-P TWN4 Slim Option P T4QC-FC3B7-PI TWN4 Slim Option PI</p>
ACCESSORIES	<p>HFQC-B TWN4 Slim Mounting Frame black MECH-QHC1B TWN4 Slim HIP1 Cover MECH-QHC2B TWN4 Slim HIP2 Cover MECH-QRBF1 TWN4 Slim Rubber Feet 4pcs/set MECH-CCK3 Cable Clip Kit adhesive black (3pcs)</p>

CABLES	CAB-BS1	Cable, TWN4 Slim, Mini USB male bent, 10cm (3,9 inches)
	CAB-BS2	Cable, TWN4 Slim, Mini USB female, 10cm (3,9 inches)
	CAB-BS3	Cable, TWN4 Slim, USB A male, 12cm (4,7 inches)
	CAB-BS4	Cable, TWN4 Slim, USB A male, 45cm (17,7 inches)
	CAB-BS5	Cable, TWN4 Slim, USB A male, 120cm (47,2 inches)
	CAB-BS6	Cable, TWN4 Slim, USB A male, 200cm (78,7 inches)
	CAB-BS7	Cable, TWN4 Slim, Mini USB male, 60cm (23,6 inches)
KITS	Individual kits available on request.	
	Kits are a compilation of the TWN4 Slim reader, accessories and packaging configuration (Boxed or bulk packaging).	
	After the configuration of the Slim Kit, customers receive their own article number.	

¹UID only ²r/w enhanced security features on request ³r/w in direct chip command mode ⁴UID only, read/write on request ⁵UID + r/w public area ⁶Hash value only
⁷Only emulation of 4100, 4102 ⁸On request ⁹Without encryption ¹⁰UID + PAC (Facility Code), r/w on request ¹¹125 kHz technology requires a Russian local test and import license from the ministry of Trade and Industry (MINPROMTORC). This license has to be in place before Elatec can accept any order to be shipped to Russia

DRAWING



ELATEC GmbH
 Zeppelinstr. 1
 82178 Puchheim • Germany
 P +49 89 552 9961 0 • F +49 89 552 9961 129
 E-Mail: info-rfid@elatec.com

ELATEC USA Inc.
 4203 SW High Meadows Ave
 Palm City • FL 34990 • USA
 P +1 772 210 2263 • F +1 772 382 3749
 E-Mail: americas-info@elatec.com

ELATEC Technology (Shenzhen) LLC
 No. 716 Industrial Bank Tower
 Futian District • Shenzhen • China
 P/F +86 755 2394 6014
 E-Mail: apac-info@elatec.com

ELATEC reserves the right to change any information or data in this document without prior notice. ELATEC declines all responsibility for the use of this product with any other specification but the one mentioned above. Any additional requirement for a specific customer application has to be validated by the customer himself at his own responsibility. Where application information is given, it is only advisory and does not form part of the specification. Disclaimer: All names used in this document are registered trademarks of their respective owners.