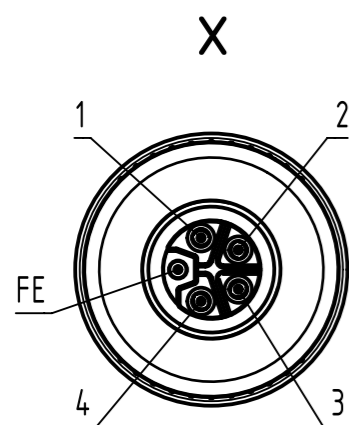
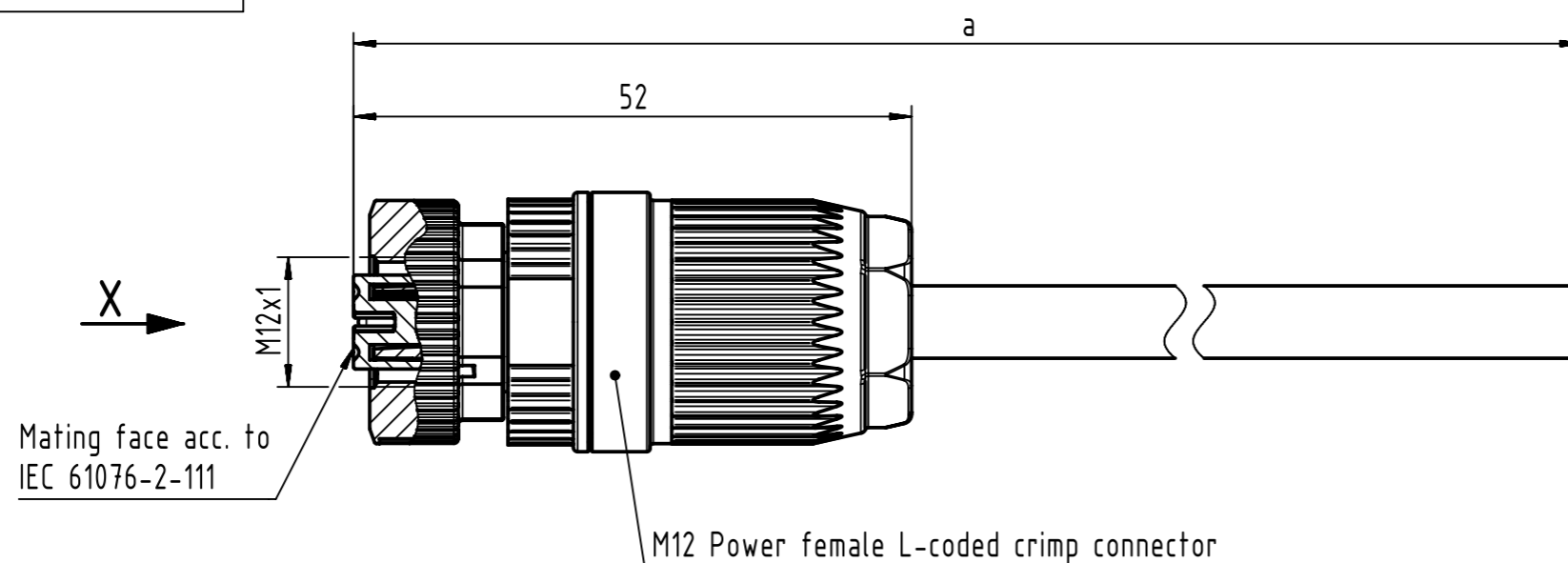
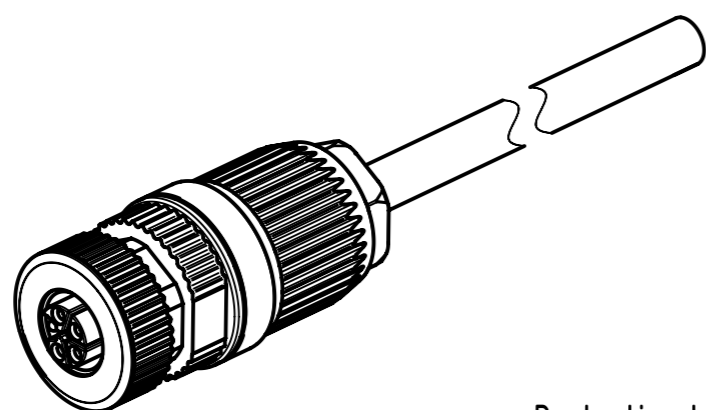
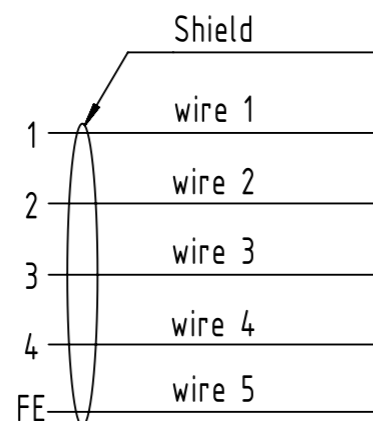


Connector Location A

Connector Location B



Loading-Plan:



- Protection level: IP65/67
- Temperature range: -40°C ... +80°C

length in "1m" step	100	XXX=000
	99	XXX=990
	.	.
	12	XXX=120
length in "0.1m" step	11	XXX=110
	10	XXX=100
	9.9	XXX=099
	9.8	XXX=098
	.	.
	0.5	XXX=005
	0.4	XXX=004
	0.3	XXX=003
	0.2	XXX=002
Step	a[m]	XXX

6.0 to 100	±1%
0.6 to 5.9	+0.04
0.2 to 0.5	+0.02
a [m]	Tolerance

F-CY-OZ flexible, PVC grey, 5x2,5 mm ²	2133A700519XXX ¹
Type of cable	Part no.

	All rights reserved	Created by	Inspected by	Standardisation	Date	State
	Department HCS - RO	COSTEA	MUNTEANV	AVRAM	2016-10-19	Final Release
HARTING Customised Solutions		Title			Doc-Key / ECM-Nr.	
D-32427 Minden		M12 L-coded Cable Assembly			100694574/UGD/001/A 500000110419	
		Type	Number	Rev.		Page
		TB	2133A700519XXX	A		1/1