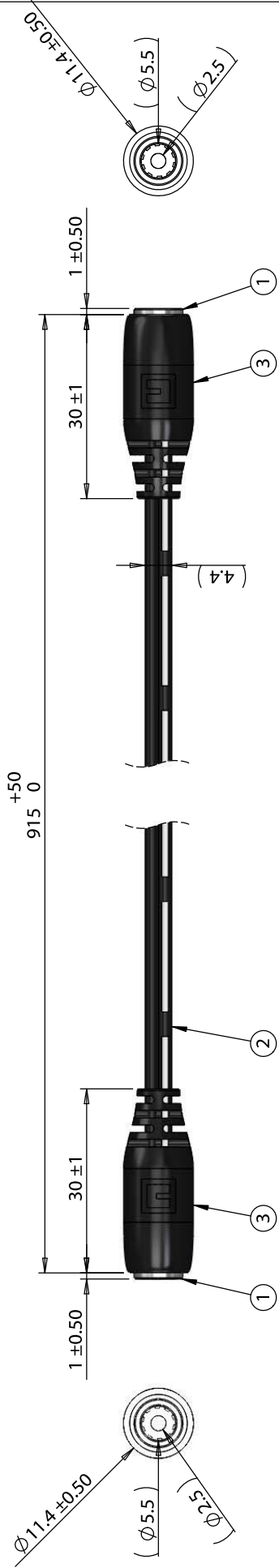


ITEM NO.	PART NUMBER	DESCRIPTION	QTY.	COMPONENT NOTES
1	50-00027	Connector, dc jack, 5.5x2.5x17.4 mm, molding style	2	
2	30-00395	Wire, 2C TS, 18 AWG, UL2468, 300V, 80C, 4.4 mm, VW-1, PVC, 87A	1	
3	24-00004	Overmold, PVC	2	



Wiring Diagram	
50-00027	wire color 50-00027
center	black with stripe
sleeve	black
	center sleeve

Notes:
Functionally equivalent components may be substituted

Revision: A	Date: 7/28/2017	Description: Initial release	Prepared: PS <small>Digitally signed by PS Date: 2017.07.28 15:50:01 -0700</small>	Notes: RoHS compliant	<h1>TENSILITY</h1> <p>tel/ 1.541.323.3228 800 877.670.7118 fax 1.541.323.4202 web tensility.com</p>
			Verified: LA <small>Digitally signed by LA Date: 2017.07.28 16:18:18 -0700</small>	Function test: no open, no short circuit, no intermittent	
			Dimensions are in millimeters.	Description: Cable, 915 mm, 5.5x2.5 mm 50-00027 dc jack to same, 18 AWG, UL2468, 30-00395 wire	Size: Part number: A 10-02564
			Tolerances: X: ± 0.5 mm X.X: ± 0.3 mm X.XX: ± 0.05 mm		Scale: 1:1
					Sheet 1 of 1