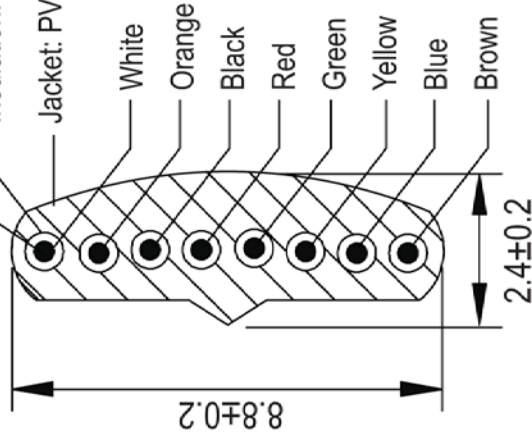


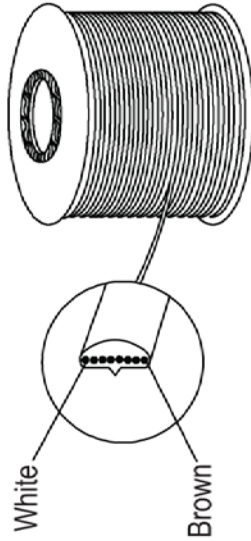
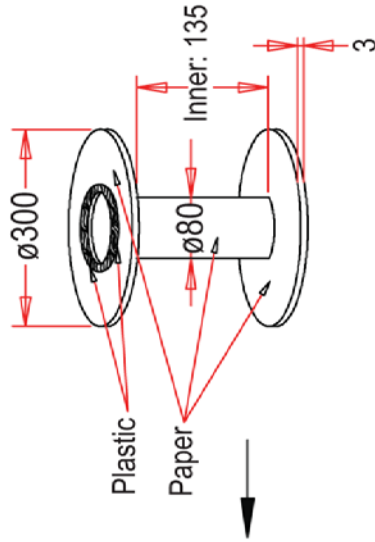
Conductor: [26AWG (0.16x7) Bare Copper]x8C

Insulation: (PP6331 ID: 0.95±0.05)x8C

Jacket: PVC NOUL 65P



Sec: A - A



1,000Ft/R. "PE" Foam Wrapped

Voltage rating: 30V (DC)

Unit: MM

Scale	1:1	Name	Chappell	Item No.	AT-K-26-8-W/1000
TOLERANCE		Drawn	11.18.11	Title	Modular Straight cable - Raw, 8 Contact, 26AWG, White, 1000Ft
X.X	±0.40	Approved		Drawing No.	rev00
X.XX	±0.25			Replace	Sheet
X.XXX	±0.15				
Angle	±3°				
		ASSMANN W ^{SW} /components			
		Modification	Date	Name	

