

Panasonic

CMOS type

Micro Laser Distance Sensor

HG-C_{SERIES}

CE
Conforming to
EMC Directive

FDA
Conforming to
FDA regulations

Reliable detection
in **10** μm precision



NEW

Measurement center

200 mm **7.874 in** type

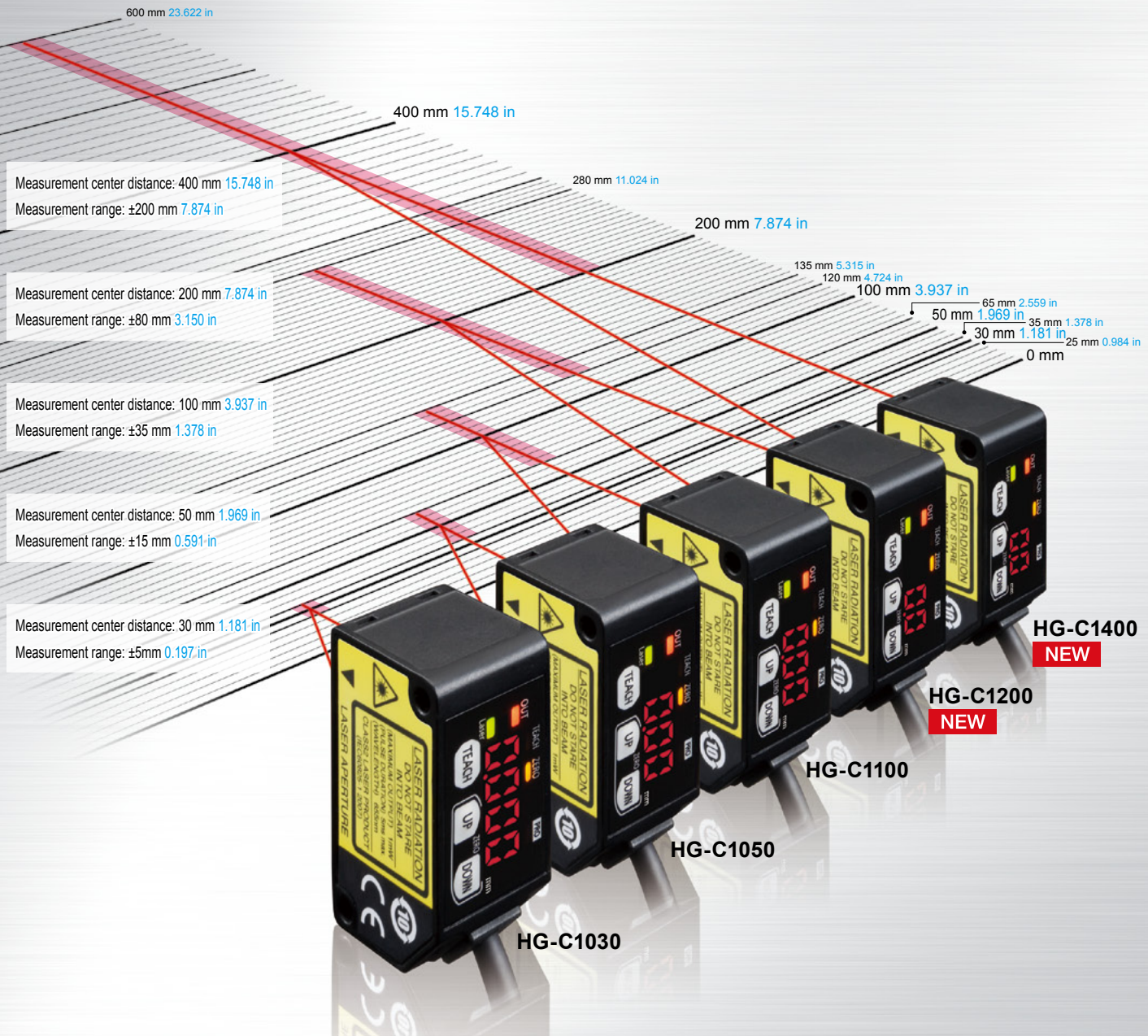
400 mm **15.748 in** type

HG-C SERIES

Repeatability
10 μm (for HG-C1030)

Dimensions
W20 × H44 × D25 mm

Inflection resistant cable
Available for all models



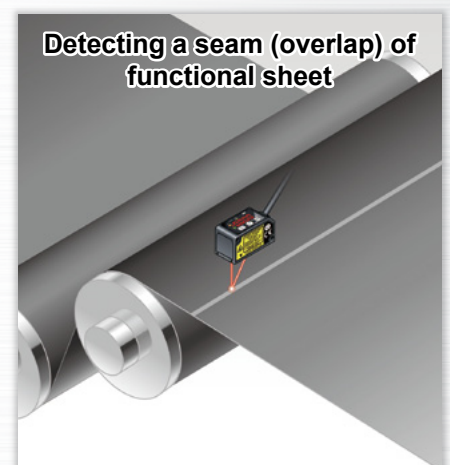
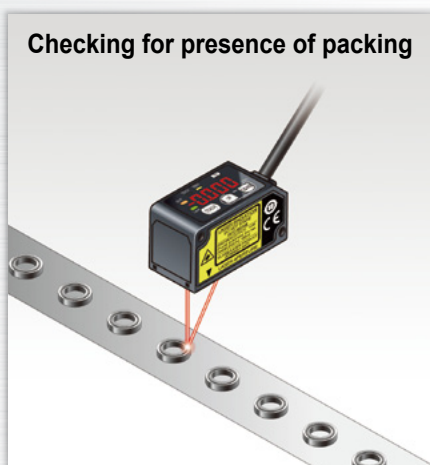
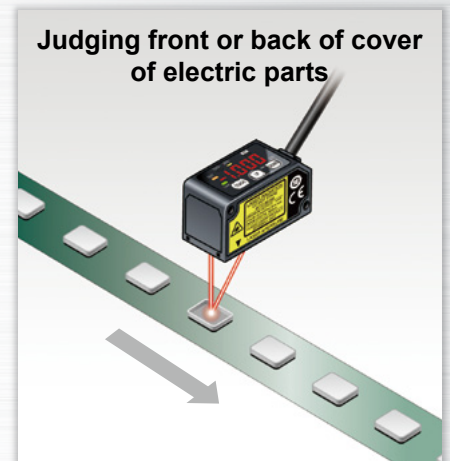
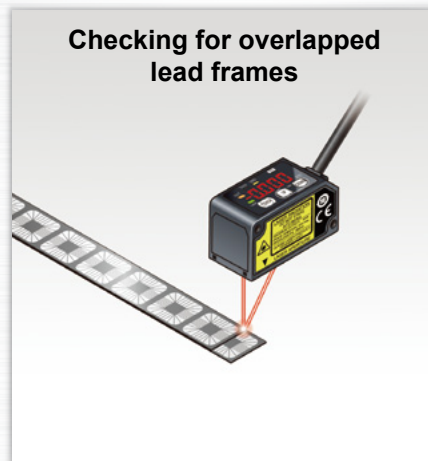
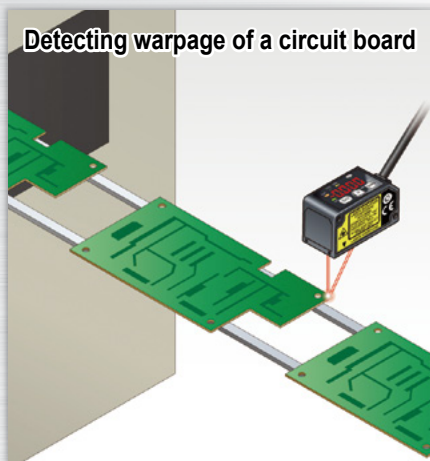
Item \ Model No.	HG-C1030	HG-C1050	HG-C1100	HG-C1200	HG-C1400
Measurement center distance	30 mm 1.181 in	50 mm 1.969 in	100 mm 3.937 in	200 mm 7.874 in	400 mm 15.748 in
Measurement range	±5 mm 0.197 in	±15 mm 0.591 in	±35 mm 1.378 in	±80 mm 3.150 in	±200 mm 7.874 in
Beam diameter	Approx. ϕ 50 μm 1.969 mil	Approx. ϕ 70 μm 2.756 mil	Approx. ϕ 120 μm 4.724 mil	Approx. ϕ 300 μm 11.811 mil	Approx. ϕ 500 μm 19.685 mil
Repeatability	10 μm 0.394 mil	30 μm 1.181 mil	70 μm 2.756 mil	200 μm 7.874 mil	300 μm 11.811 mil (Measuring distance 200 to 400mm 7.874 to 15.748 in) 800 μm 31.496 mil (Measuring distance 400 to 600mm 15.748 to 23.622 in)

Overwhelmingly stable

Precise measurements on the order of 1/100 mm **0.0003 inch**

Excellent level detection performance

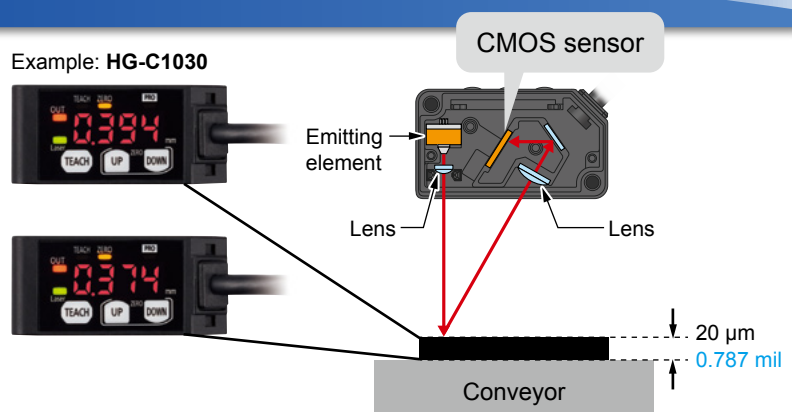
Repeatability: 10 μm (for HG-C1030)



Fitted with a precise CMOS image sensor and an original algorithm

Thanks to a precise CMOS image sensor, it is now possible to perform highly precise measurements in the order of 1/100 mm **0.0003 in.** The existing adjustable range reflective sensors cannot achieve such accuracy.

Example: HG-C1030



HG-C SERIES

Compact

The smallest CMOS laser sensor in the industry*
 *Based on research conducted by our company as of May 2015

Indicates real measurements

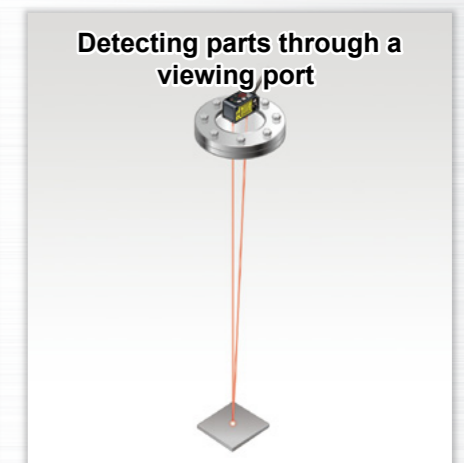
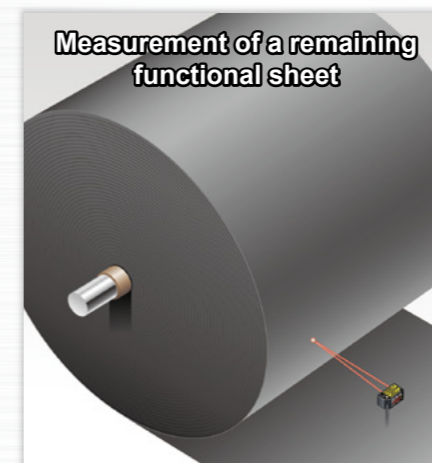
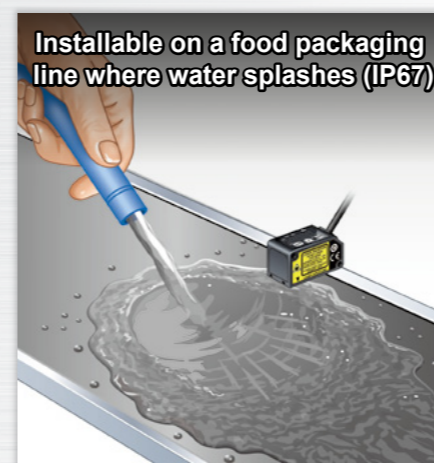
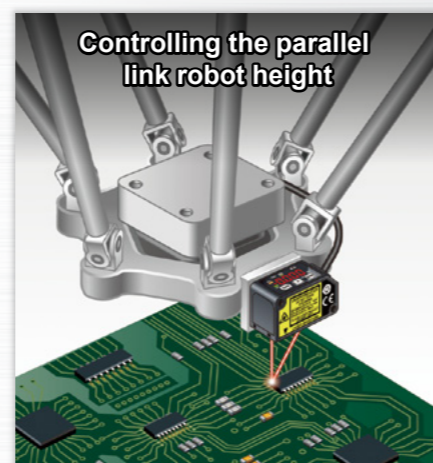
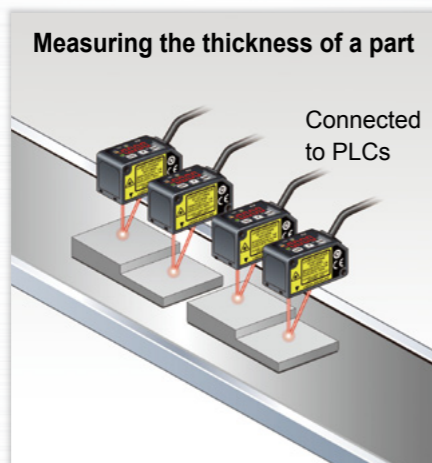
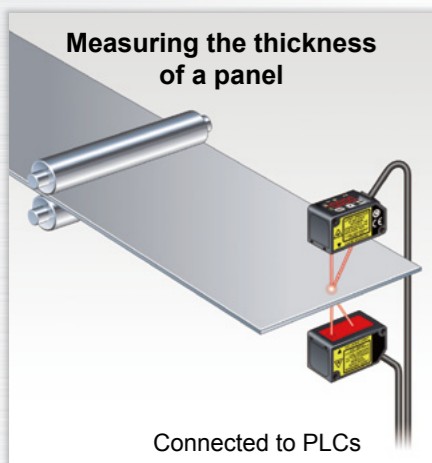
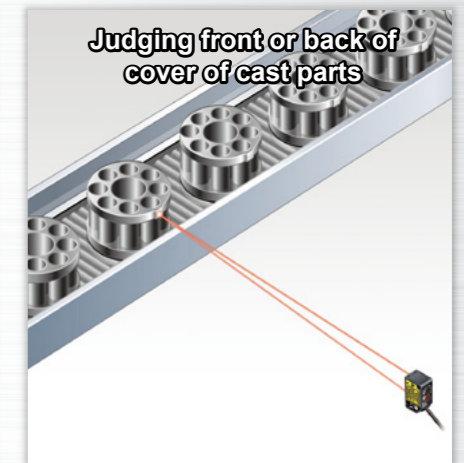
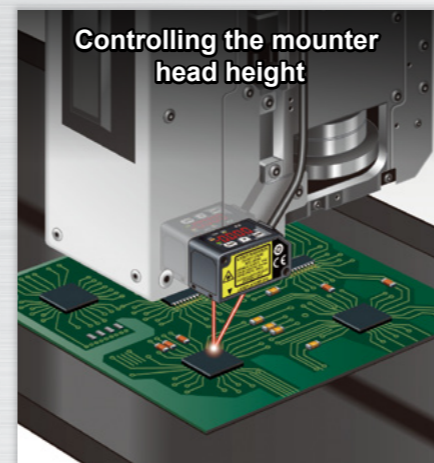
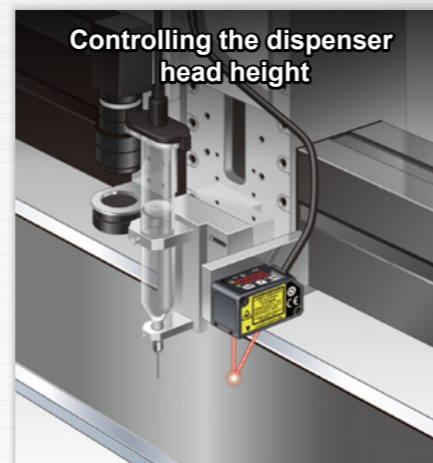
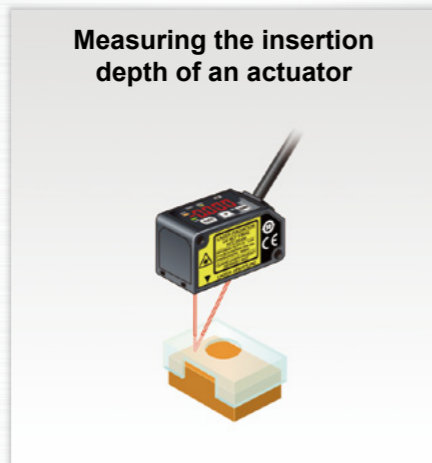
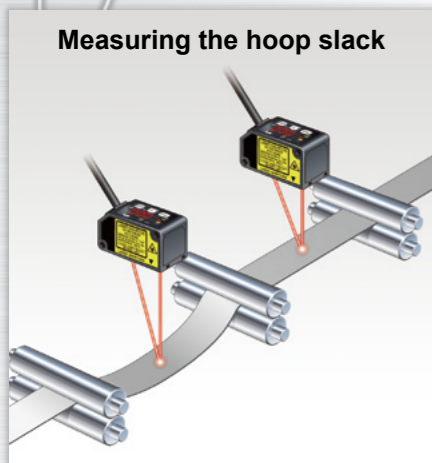
Linearity: $\pm 0.1\%$ F.S. (for HG-C1030 / HG-C1050 / HG-C1100)

Compact and light-weight

W20 × H44 × D25 mm, approx. 35 g (excluding the cable)

Long distance measurement

Measurement center distance: 400 mm (for HG-C1400), 200 mm (for HG-C1200)



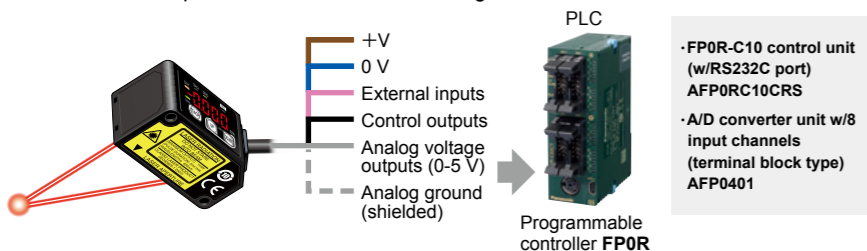
Remove water droplets on detection surface to achieve correct measurement.

Equipped with 0-5 V analog output

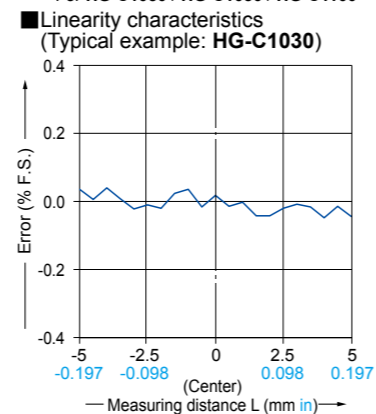
The value can be measured with a distance sensor.

Linearity: $\pm 0.1\%$ F.S.*
 Temperature characteristics: 0.03%F.S./°C

The sensor not only indicates measured values in mm but also produces analog voltage outputs. Various calculations and storage (logging) can be performed when output is taken into a PLC + analog unit.

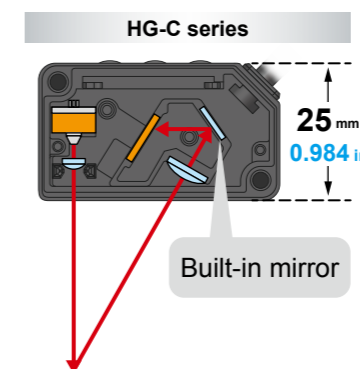


*For HG-C1030 / HG-C1050 / HG-C1100



A new optical system with a built-in mirror

In general, more accurate and stable measurements can be obtained by increasing the optical path length between the receptor and the light receiving element (CMOS), but this also increases the sensor depth and the sensor body gets bigger. The HG-C series sensors incorporating a new optical system with a built-in mirror provides smaller sensor depth as well as higher measurement accuracy equivalent to displacement sensors.

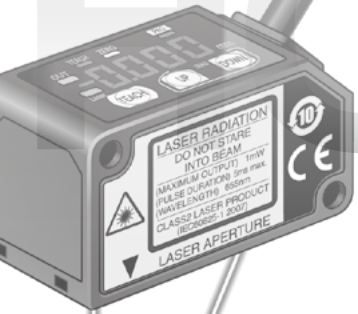


An aluminum die-cast casing protects from strain and heat

A light-weight but strong die-cast aluminum casing has been adopted. A compact, solid body casing reduces the impact of strain and heat on the measurement accuracy.

Aluminum die-cast casing

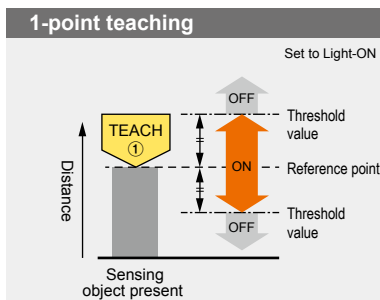




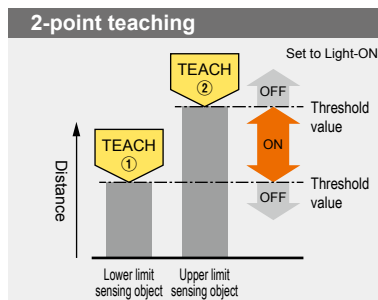
Useful functions

Teaching & window comparator mode

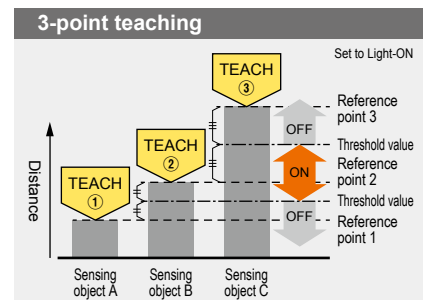
With an object below the sensor, press the TEACH key to set the valid range for distances via threshold values. There are 3 methods for setting the valid range: 1-point, 2-point, and 3-point teaching.



Perform 1-point teaching and the threshold range is set for the distance from the reference surface of the sensing object.



Press TEACH once for the lower (first point) and once for the upper limit (second point). Useful for sensing objects at different distances.



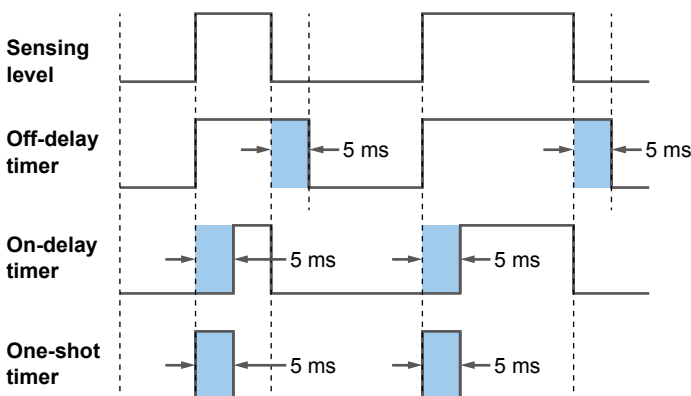
This is the method to set the threshold range by conducting the teaching at 3 points (sensing object A, B and C). After teaching, the reference points are automatically sorted in ascending order (reference point 1, 2 and 3). The thresholds are set at the midpoints between reference point 1 and 2, and 2 and 3, respectively. Useful for sensing objects at different distances.

In addition to the teaching & window comparator mode, the “**rising differential mode**”, “**trailing differential mode**” and “**normal sensing mode**” are available. In normal sensing mode, “**2-point teaching**” as basic teaching and “**limit teaching**,” which is useful for very small objects and backgrounds, are possible.



Timer setting function

The time mode options are “off-delay timer,” “on-delay timer,” “one-shot timer” and “no timer.” The counting time is fixed to 5 ms.



Timer period: 5 ms (fixed)

Off-delay timer

Function: Extends output signals by 5 ms.
Usage: Appropriate in case a connected device is slow to respond and ON time is required to extend.

On-delay timer

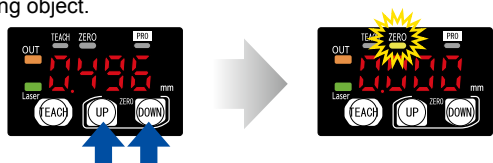
Function: Overrides output signals for 5 ms after detection.
Usage: Convenient way to override temporary signals and control with a time lag.

One-shot timer

Function: Sends output signals for only 5 ms after detection.
Usage: Useful when the signal duration needs to be constant to meet inputs from a connected device. This mode is also used to extend temporary signals by a desired length of time.

Zero set function

This function compulsorily sets the measured value to “zero.” The zero point can be set at a desired value. It is useful when measuring steps or tolerance with reference to the height of a sensing object.

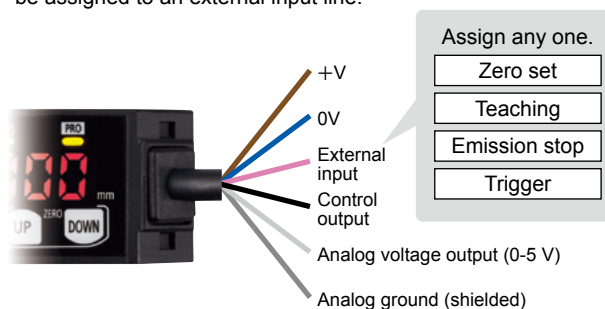


Keep pressing both keys for 3 seconds.

- * The zero set indicator (yellow) will turn ON while the zero set is valid.
- * When the zero set function is executed while the peak hold function or the bottom hold function is valid, the held measurement value is reset.
- * When the display setting is set to offset, the zero set function cannot be set.

External input setting function

One of four functions, “zero setting function,” “teaching function,” “emission stopping function” and “trigger function” can be assigned to an external input line.



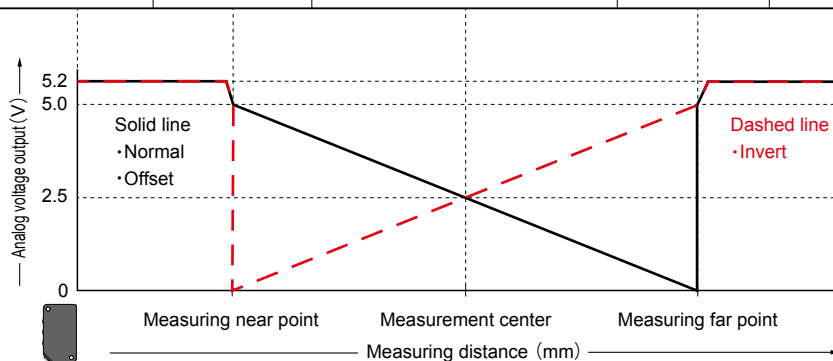
Display setting function

How to indicate measured values of the moving sensed object can be chosen from three options, “Normal,” “Invert” and “Offset.”

Example: HG-C1050

		Outside the measuring range	Measuring near point	Measurement center	Measuring far point	Outside the measuring range
Display setting	Normal	---	1500 mm	000 mm	-1500 mm	---
	Invert	---	-1500 mm	000 mm	1500 mm	---
	Offset	---	3000 mm	1500 mm	000 mm	---

■ Relation between the setting display and the analog voltage output



Peak and bottom hold functions

The peak hold function holds the maximum measured value which is output and displayed.

The bottom hold function holds the minimum measured value which is output and displayed.

- * The peak hold function and the bottom hold function cannot be set at the same time.
- * When the zero set function is executed while the peak hold function or the bottom hold function is valid, the held measurement value is reset.

Threshold value fine adjustment function

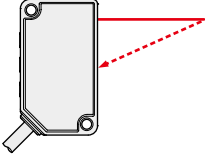
Fine adjustment of threshold values can be performed while measurement is proceeding on the display, and even after teaching.

Key lock function

This function protects setting conditions from unintentional changes.

* For other functions and procedures for setting the functions, see “PRO Mode Setting” from page 10.

ORDER GUIDE

Type	Appearance	Measurement center distance and measurement range	Repeatability	Beam diameter (Note)	Model No.	
					NPN output	PNP output
Measurement center 30mm type		30 ± 5 mm 1.181 ± 0.197 in	10 µm 0.394 mil	Approx. ø50 µm 1.969 mil	HG-C1030	HG-C1030-P
Measurement center 50mm type		50 ± 15 mm 1.969 ± 0.591 in	30 µm 1.181 mil	Approx. ø70 µm 2.756 mil	HG-C1050	HG-C1050-P
Measurement center 100mm type		100 ± 35 mm 3.937 ± 1.328 in	70 µm 2.756 mil	Approx. ø120 µm 4.724 mil	HG-C1100	HG-C1100-P
Measurement center 200mm type		200 ± 80 mm 7.874 ± 3.150 in	200 µm 7.874 mil	Approx. ø300 µm 11.811 mil	NEW HG-C1200	NEW HG-C1200-P
Measurement center 400mm type		400 ± 200 mm 15.748 ± 7.874 in	300 µm 11.811 mil (Measuring distance 200 to 400 mm 7.874 to 15.748 in) 800 µm 31.496 mil (Measuring distance 400 to 600 mm 15.748 to 23.622 in)	Approx. ø500 µm 19.685 mil	NEW HG-C1400	NEW HG-C1400-P

Note: This is the size in the measurement center distance. These values were defined by using 1/e² (approx. 13.5%) of the center light intensity. Due to leak light outside the specified area, the reflectance around the detecting point may be higher than at the point and this may affect the measurement value.

SPECIFICATIONS

Item	Type	Measurement center 30mm type	Measurement center 50mm type	Measurement center 100mm type	Measurement center 200mm type	Measurement center 400mm type	
		NPN output HG-C1030	HG-C1050	HG-C1100	HG-C1200	HG-C1400	
	PNP output	HG-C1030-P	HG-C1050-P	HG-C1100-P	HG-C1200-P	HG-C1400-P	
Applicable standard		EMC Directive Compliance, FDA Standard					
Measurement center distance		30 mm 1.181 in	50 mm 1.969 in	100 mm 3.937 in	200 mm 7.874 in	400 mm 15.748 in	
Measurement range		±5 mm 0.197 in	±15 mm 0.591 in	±35 mm 1.328 in	±80 mm 3.150 in	±200 mm 7.874 in	
Repeatability		10 µm 0.394 mil	30 µm 1.181 mil	70 µm 2.756 mil	200 µm 7.874 mil	300 µm 11.811 mil (Measuring distance 200 to 400 mm 7.874 to 15.748 in) 800 µm 31.496 mil (Measuring distance 400 to 600 mm 15.748 to 23.622 in)	
Linearity		±0.1 % F.S.			±0.2 % F.S.	±0.2 % F.S. (Measuring distance 200 to 400 mm 7.874 to 15.748 in) ±0.3 % F.S. (Measuring distance 400 to 600 mm 15.748 to 23.622 in)	
Temperature characteristic		0.03 % F.S./°C					
Light source		Red semiconductor laser Class 2 [JIS/IEC/GB/FDA (Note 2)] Max. output: 1 mW, emission peak wavelength: 655 nm 0.026 mil					
Beam diameter (Note 3)		Approx. ø50 µm 1.969 mil	Approx. ø70 µm 2.756 mil	Approx. ø120 µm 4.724 mil	Approx. ø300 µm 11.811 mil	Approx. ø500 µm 19.685 mil	
Supply voltage		12 to 24 V DC ±10 %, Ripple P-P 10 % or less					
Power consumption		40 mA or less (at 24 V DC supply voltage), 60 mA or less (at 12 V DC supply voltage)					
Control output		<NPN output type> NPN open-collector transistor • Maximum sink current: 50 mA • Applied voltage: 30 V DC or less (Between control output to 0V) • Residual voltage: 1.5 V or less (At 50 mA sink current) • Leakage current: 0.1 mA or less			<PNP output type> PNP open-collector transistor • Maximum source current: 50 mA • Applied voltage: 30 V DC or less (Between control output to +V) • Residual voltage: 1.5 V or less (At 50 mA source current) • Leakage current: 0.1 mA or less		
Output operation		Either Light-ON or Dark-ON					
Short-circuit protection		Incorporated (Auto reset type)					
Analogue output		• Output range: 0 to 5 V (at alarm: +5.2 V) • Output impedance: 100 Ω					
Response time		Switchable between 1.5 ms / 5 ms / 10 ms					
External input		<NPN output type> NPN non-contact input • Input conditions Invalid: +8 to +V DC or Open Valid: 0 to +1.2 V DC • Input impedance: Approx. 10 kΩ			<PNP output type> PNP non-contact input • Input conditions Invalid: 0 to +0.6 V DC or Open Valid: +4 to +V DC • Input impedance: Approx. 10 kΩ		
Degree of pollution		2					
Operating altitude		2,000 m 6561.680 ft or less					
Environmental resistance	Protection	IP67 (IEC)					
	Ambient temperature	-10 to +45 °C -14 to 113 °F (No dew condensation or icing allowed), Storage: -20 to +60 °C -4 to 140 °F					
	Ambient humidity	35 to 85 % RH, Storage: 35 to 85 % RH					
	Ambient illuminance	Incandescent lamp: Acceptance surface illuminance 3,000 lx or less					
	Vibration resistance	10 to 55 Hz (period: 1 min.) frequency, 1.5 mm 0.059 in amplitude in X, Y and Z directions for two hours each					
Shock resistance		500 m/s ² acceleration (50 G approx.) in X, Y and Z directions for three times each					
Cable		5-core composite cable, 2 m 6.5617 ft long					
Cable extension		Extension up to total 10 m 393.701 ft is possible with 0.3 mm ² , or more, cable.					
Material		Enclosure: Aluminum die-cast, Front cover: Acrylic					
Weight		Net weight: approx. 35 g (without cable), approx. 85 g (including cable)					

Notes: 1) Supply voltage: 24 V DC, ambient temperature: +20 °C +68 °F, response time: 10 ms, and analog output value of measurement center distance are used for unspecified measurement conditions. The subject is white ceramics.
 2) This is based on the FDA Standard, according to Laser Notice No. 50 of the FDA Standard.
 3) This is the size in the measurement center distance. These values were defined by using 1/e² (approx. 13.5%) of the center light intensity. Due to leak light outside the specified area, the reflectance around the detecting point may be higher than at the point and this may affect the measurement value.

OPTIONS

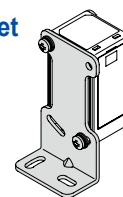
Designation	Model No.	Description
Simple mounting bracket (Note)	NEW MS-HG-01	Foot angled mounting bracket

Simple mounting bracket

• **MS-HG-01**

Material: Stainless steel (SUS304)

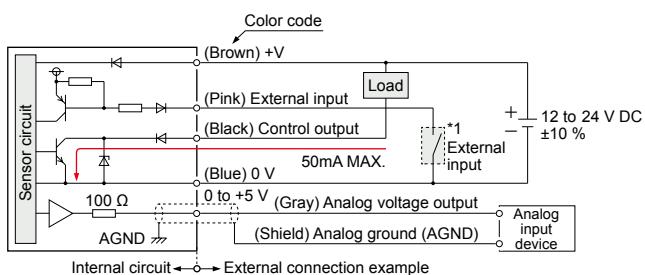
Two M3 (length 25 mm 0.984 in) screws with washers (SPCC) are attached.



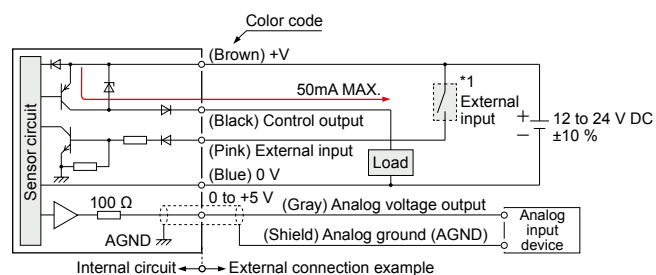
Note: Due to the simple mounting bracket, the sensing characteristics may not hold depending on the installation condition, in case of the purposes for acquiring the displacement data and a fine detecting.

I/O CIRCUIT DIAGRAMS

NPN output type



PNP output type



*1

Non-voltage contact or NPN open-collector transistor

• External input
Invalid: +8 to +V DC or open
Valid: 0 to +1.2 V DC

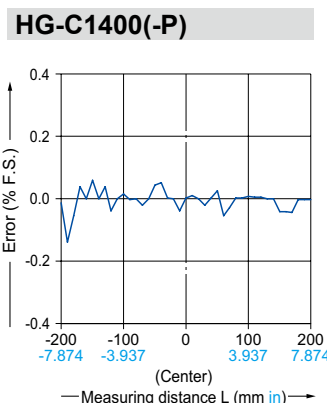
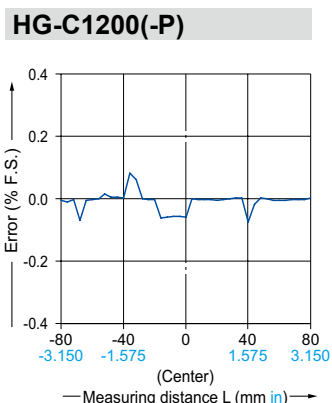
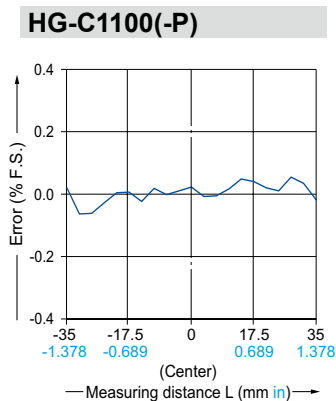
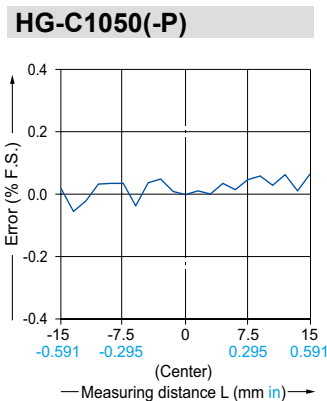
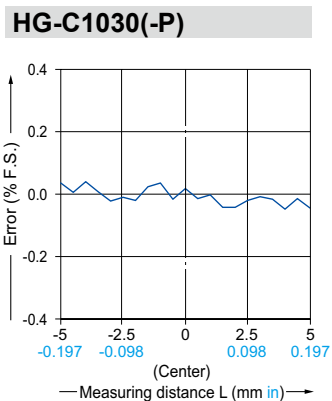
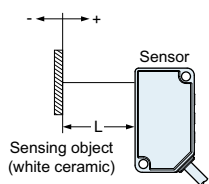
*1

Non-voltage contact or PNP open-collector transistor

• External input
Invalid: 0 to +0.6 V DC or open
Valid: +4 to +V DC


SENSING CHARACTERISTICS (TYPICAL)

Linearity




PRECAUTIONS FOR PROPER USE


- This catalog is only provided to help choose a product and the user's guide attached to the product must be read before use.




- Never use this product as a sensing device for personnel protection.
- In case of using sensing devices for personnel protection, use products which meet laws and standards, such as OSHA, ANSI or IEC etc., for personnel protection applicable in each region or country.



- Do not operate products using methods other than the ones described in the instruction manual included with each product. Control or adjustment through procedures other than the ones specified may cause hazardous laser radiation exposure.

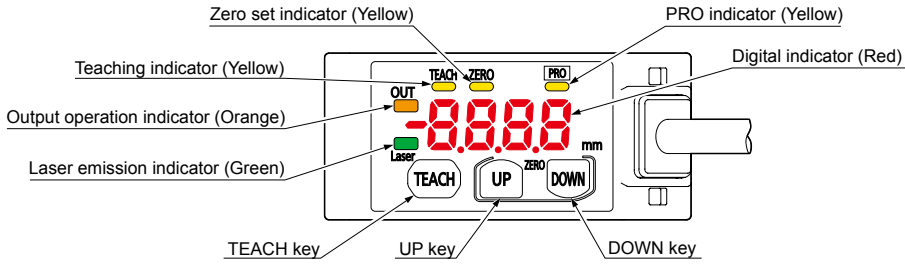


- This product is classified as a Class 2 Laser Product under JIS / IEC / GB standards and FDA * regulations. Do not look at the laser beam directly or through an optical system such as a lens.
- The warning label (English) is attached to the product. Handle the product according to the instruction given on the warning label. (The warning labels in Japanese and Chinese are packed with the sensor.)

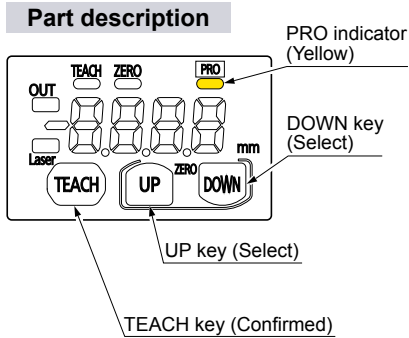


* The product complies with the FDA regulations and satisfies requirements of the FDA's Laser Notice No. 50.

Part description



PRO mode setting



Item	Default setting	Description
Response speed setting	Hr50	Set the response time. "Hr50": High precision 10ms, "Std": Standard 5ms, "FRSt": High speed 1.5ms
Output operation setting	L-on	Select the control output operation mode. "L-on": Light-ON, "d-on": Dark-ON
Sensing output setting	--F--	Set the sensing output. "--F--": Normal sensing mode "--1.1": 1-point teaching (Window comparator mode) "--1.2": 2-point teaching (Window comparator mode) "--1.3": 3-point teaching (Window comparator mode) "--d.1": Rising differential mode "--d.2": Trailing differential mode
Hysteresis setting	<HG-C1030> 0010 <HG-C1050> 003 <HG-C1100> 007 <HG-C1200> 02 <HG-C1400> 08	Set the hysteresis width. HG-C1030: 0.001 to 5.00 mm 0.00004 to 0.197 in HG-C1050: 0.01 to 15.00 mm 0.00039 to 0.591 in HG-C1100: 0.02 to 35.00 mm 0.00079 to 1.378 in HG-C1200: 0.1 to 80.0 mm 0.00394 to 3.150 in HG-C1400: 0.2 to 200.0 mm 0.00787 to 7.874 in
External input setting	05Et	Set the external input. "05Et": Zero set function, "tEcH": Teaching function "L-of": Light emitting stop function, "tr 19": Trigger function
Timer setting	non	Set the timer operation. The timer time is fixed at 5ms. "non": No timer, "oFd": OFF-delay timer "oNd": ON-delay timer, "oSd": One-shot timer
Display setting	Std	The display of the measured value can be changed. "Std": Normal, "Inv": Invert, "oFSt": Offset
Hold setting	oFF	Set the control output and the analogue output operation when a measurement error occurs (insufficient light intensity, saturation of light intensity, out of measurement range). "oFF": Hold OFF, "on": Hold ON
ECO Setting	oFF	The digital display can be set to go OFF when key operation is not performed for 30 seconds. Current consumption can be reduced. "oFF": ECO OFF, "on": ECO ON
Reset setting	no	Return to the default setting (factory setting). "no": Reset NG, "YES": Reset OK

PRECAUTIONS FOR PROPER USE

Procedure

Measurement display

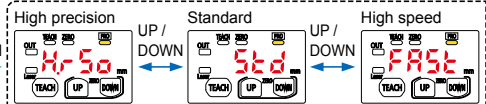


↓ DOWN: Press for 3 seconds

Response time setting



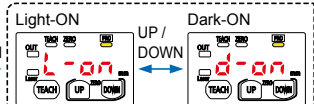
↑ UP / DOWN



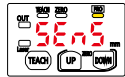
Output operation setting



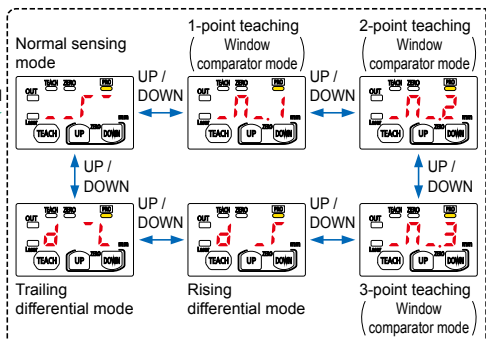
↑ UP / DOWN



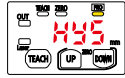
Sensing output setting



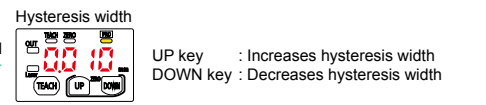
↑ UP / DOWN



Hysteresis setting



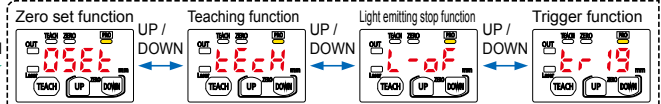
↑ UP / DOWN



External input setting



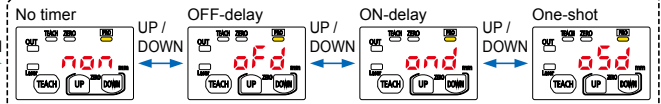
↑ UP / DOWN



Timer setting



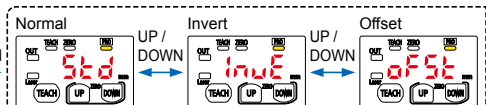
↑ UP / DOWN



Display setting



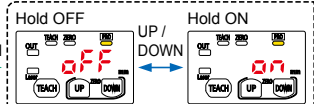
↑ UP / DOWN



Hold setting



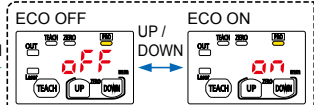
↑ UP / DOWN



ECO Setting



↑ UP / DOWN



Reset setting



↑ UP / DOWN



Response time setting



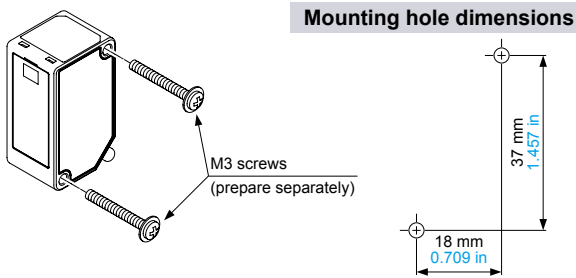
<Arrow description in figures>

- ↔ : Press the TEACH key
- ↕ : Press UP key or DOWN key
- ⬇ : Press DOWN key

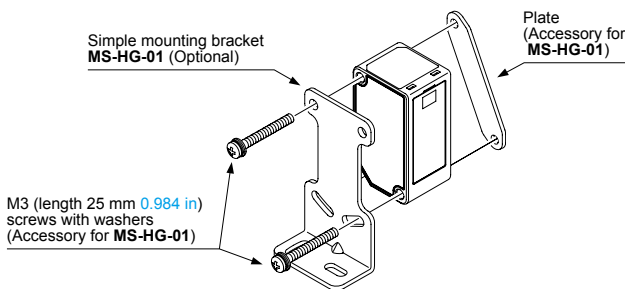
PRECAUTIONS FOR PROPER USE

Mounting

- When mounting this product, use M3 screws. The tightening torque should be 0.5 N·m. Please prepare M3 screws separately.



- When mounting the simple mounting bracket (optional) on this product, the tightening torque should be 0.5 N·m or less.



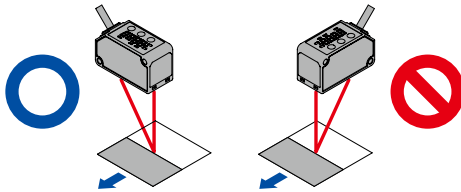
Note: Due to the simple mounting bracket, the sensing characteristics may not be hold depending on the installation condition, in case of the purposes for acquiring the displacement data and a fine detecting.

Mounting direction

Direction to a movable body

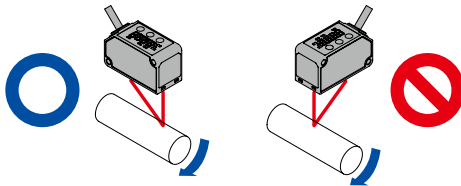
<When there are differences in material and color>

- When performing measurements of moving objects with excessively different materials and colors, mount the product per the following directions to minimize measurement errors.



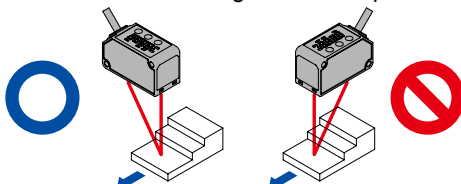
<Measurement of rotating objects>

- When measuring rotating objects, mount the product as follows. Measurement can be performed with minimized effect on the object caused by up / down deflection, position deviation and etc.



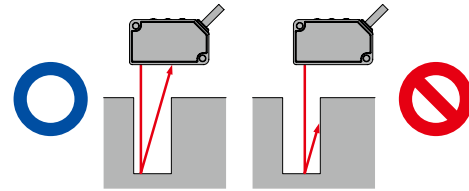
<When there is a step>

- When there is a step in the moving object, mount the product as follows. Measurement can be performed with minimized effect from the edges of the steps.



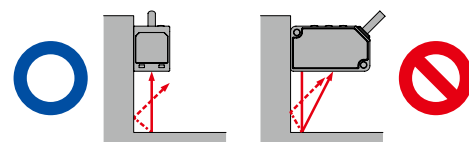
Measuring of narrow locations and recesses

- When measuring in narrow locations or inside holes, mount the product so that optical path from the light-emitting part to light-receiving part is not interrupted.



When mounting the product on a wall

- Mount the product as follows, so that the multiple light reflections on the wall do not emit to the light-receiving part. When the reflection factor on a wall is high, it is effective to use a dull black color.



Others

- This product has been developed / produced for industrial use only.
- Make sure that the power supply is OFF before starting the wiring.
- If the wiring is performed incorrectly, it will cause a failure.
- Do not run the wires together with high-voltage lines or power lines, or put them in the same raceway. This can cause malfunction due to induction.
- Verify that the supply voltage variation is within the rating.
- If power is supplied from a commercial switching regulator, ensure that the frame ground (F.G.) terminal of the power supply is connected to an actual ground.
- If noise generating devices (switching regulators, inverter motors, etc.) are used around the sensor mounting area, make sure to connect the frame ground (FG) terminal of the device.
- Do not use this product during the transient state when the power supply is turned ON.
- The overall length of the cable can be extended to 10m maximum with a cable size of 0.3mm² or more.
- Make sure that stress by forcible bend or pulling is not applied to the sensor cable joint.
- Although it depends on the type, light from rapid start type or high frequency lighting type fluorescent lights, sunlight and etc. may affect the sensing, therefore make sure to prevent direct incident light.
- This product is suitable for indoor use only.
- Keep water, oil, fingerprints and etc. which reflect light, or dust, particles or etc. which interrupts the light, away from the emitting / receiving surfaces of this product. If contaminants adhere to the surface, wipe off with a dust-free soft cloth, or lens cleaning paper.
- Do not use the sensor in locations where there is excessive vapor, dust or etc. or in an atmosphere where corrosive gases, etc. is generated.
- Take care that the product does not come in contact with oil, grease, organic solvents such as thinner, etc., strong acid or alkaline.
- Make sure to turn OFF the power supply, before cleaning the light emitting / receiving windows of the sensor head.

PRECAUTIONS FOR PROPER USE

Error indication

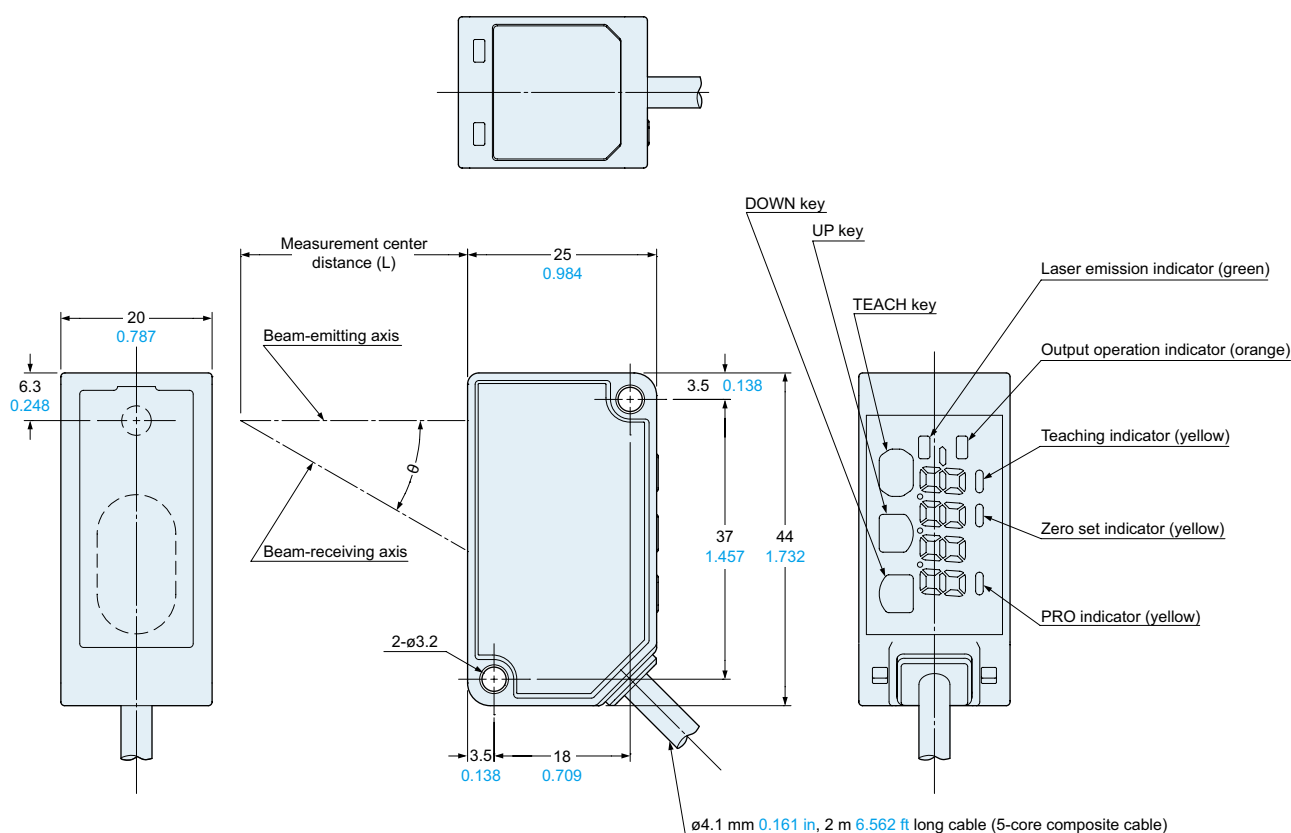
- In case of errors, attempt the following measures.

Error indication	Description	Remedy
<Hold OFF> ----- <Hold ON> Measured value blinks	Insufficient amount of reflected light. The sensing object is out of the sensing range.	Confirm that the sensing distance is within the specification range. Adjust the installation angle of the sensor.
E-01	Flash memory is damaged or is past its life expectancy.	Please contact our office.
E-11	Load of the sensing output is short-circuited causing an over-current to flow.	Turn OFF the power and check the load.
E-21	The semiconductor laser is damaged or is past its life expectancy.	Please contact our office.
E-31	<ul style="list-style-type: none"> • When zero set is set, the measurement is not performed normally. • Since the display setting is set to "Offset", the zero set function can not be used. 	<ul style="list-style-type: none"> • Confirm that the sensing distance is within the specification range. • Set the display to any setting except "Offset."
E-41	During teaching, the measurement is not performed normally.	Confirm that the sensing distance is within the specification range.
E-90 E-91 E-92 E-93	System error	Please contact our office.

DIMENSIONS (Unit: mm in)

CAD data can be downloaded from our website.

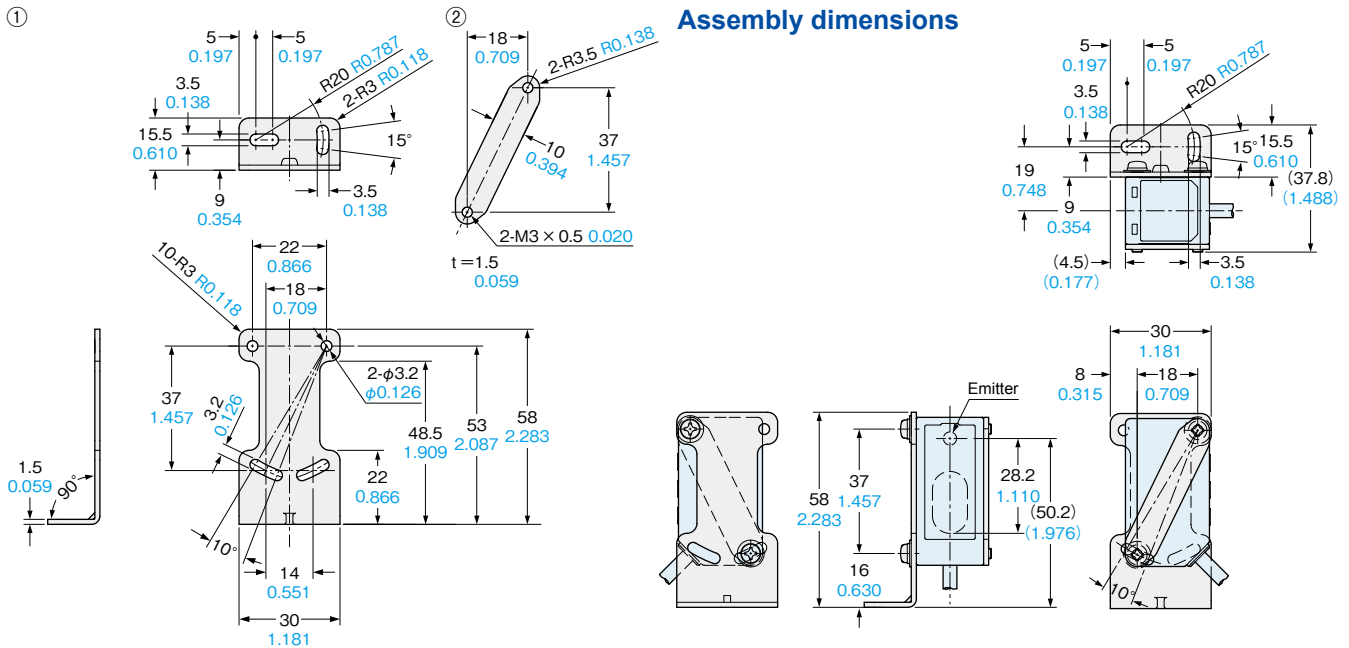
HG-C Sensor



Model No.	Measurement center distance (L)	θ
HG-C1030(-P)	30 1.181	30°
HG-C1050(-P)	50 1.969	22.5°
HG-C1100(-P)	100 3.937	12.5°
HG-C1200(-P)	200 7.874	6.3°
HG-C1400(-P)	400 15.748	3.2°

MS-HG-01

Simple mounting bracket (Optional)



Material: Stainless steel (SUS304)
Two M3 (length 25 mm 0.984 in) screws with washers (SPCC) are attached.

Assembly dimensions

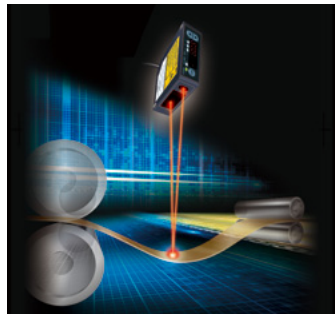
Introducing our laser sensors

Laser Displacement Sensor

Compact HL-G1 SERIES



High-precision measurement is achieved at a resolution of 0.5 μm 0.02 mil (HL-G103□). Easy to embed in machines and production lines thanks to a built-in controller.



Full lineup! 10 models of diffuse reflection type (class 2) and 6 models of specular reflection type (class 1) are available. They accommodate a variety of applications.

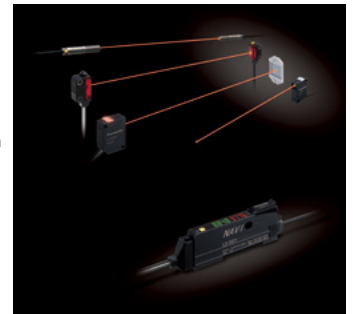
Digital Laser Sensor

Amplifier-separated LS-500 SERIES



Industry's smallest* laser sensor head, fastest response time* 60 μs.

* As of September 2013, as amplifier-separated type laser sensor amplifier, based on research conducted by us.



Engineered for maximum compatibility with fiber sensors in every aspect of its design, form and operability. The LS-500 delivers an environment that makes it easy to choose a class 1 laser sensor.

Please contact :

Panasonic Industrial Devices SUNX Co., Ltd.

2431-1 Ushiyama-cho, Kasugai-shi, Aichi, 486-0901, Japan
Global Sales Department
■ Telephone: +81-568-33-7861 ■ Facsimile: +81-568-33-8591
panasonic.net/id/pidsx/global

