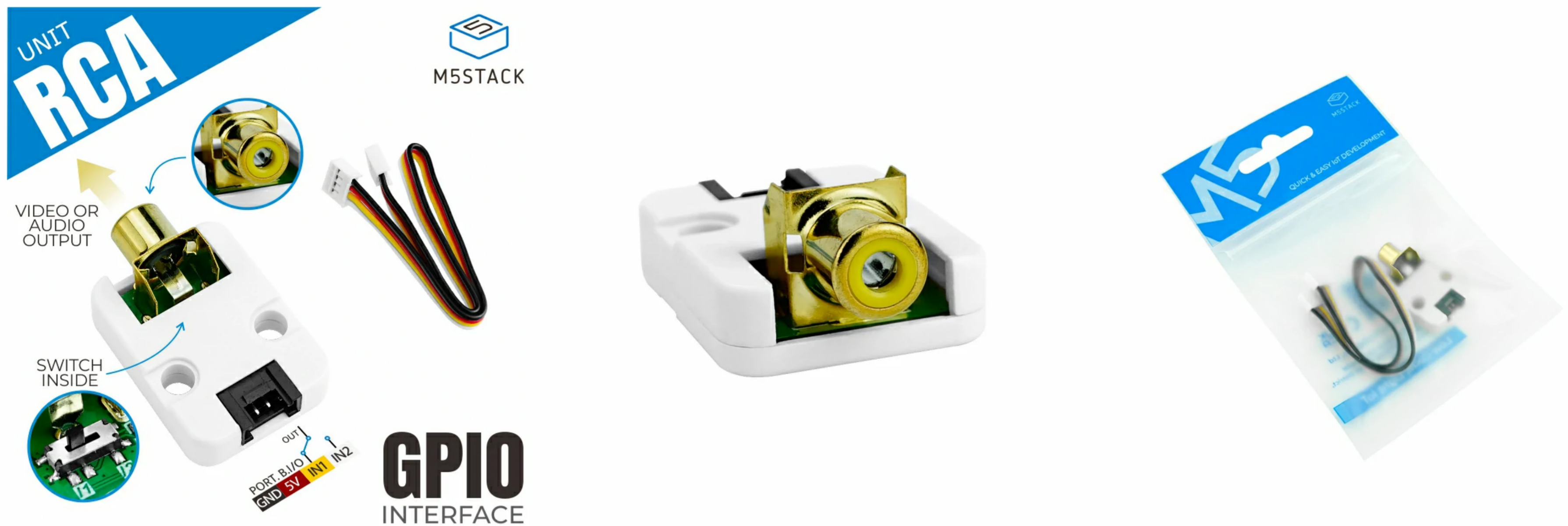


RCA

SKU:U155



Description

Unit RCA is a female jack terminal block for transmitting composite video (audio or video), one of the most common A/V connectors, which transmits video or audio signals from a component device to an output device (i.e., a display or speaker).

Features

- Composite video transmission
- RCA Female jack terminal block
- A/V connector
- Internal dual-channel switching
- HY2.0 4P interface
- 2x LEGO compatible holes

Includes

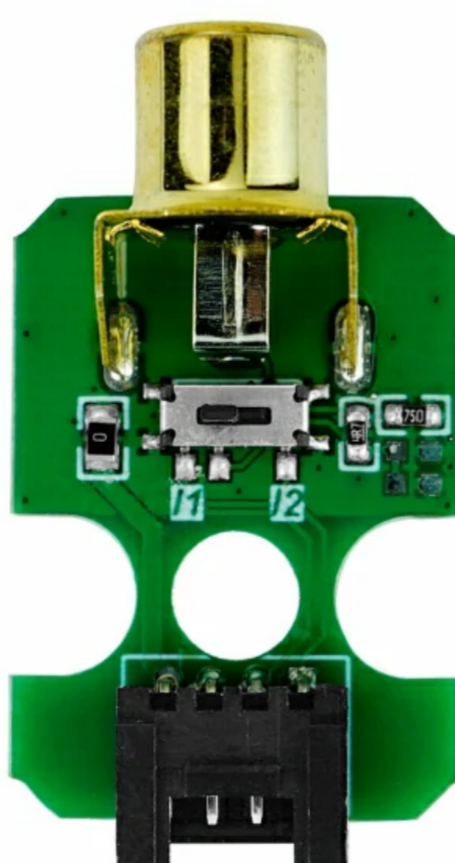
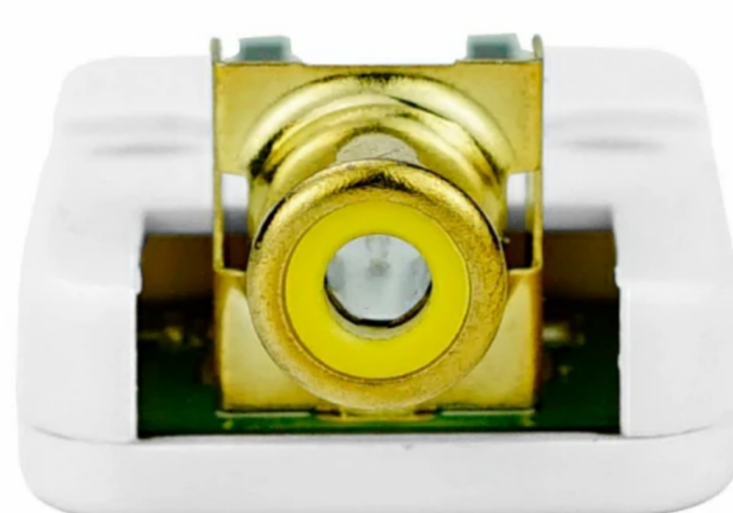
- 1x RCA Unit
- 1x HY2.0-4P Cable

Applications

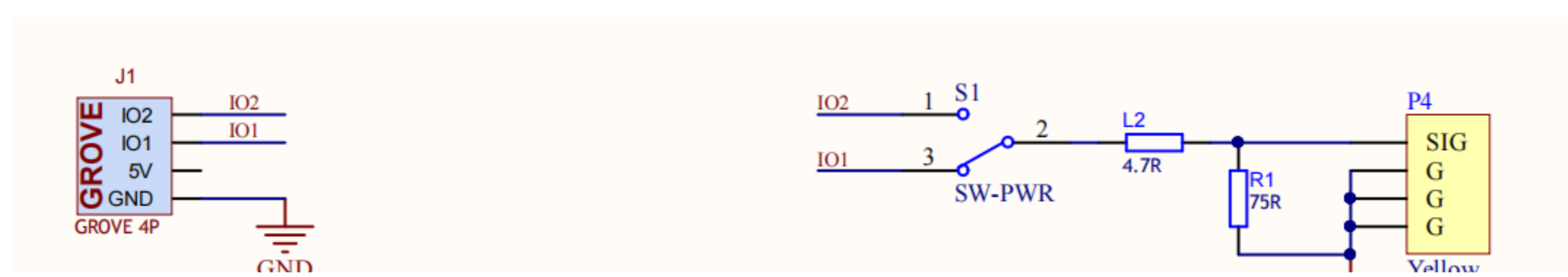
- RCA stereo output
- Composite video or audio output

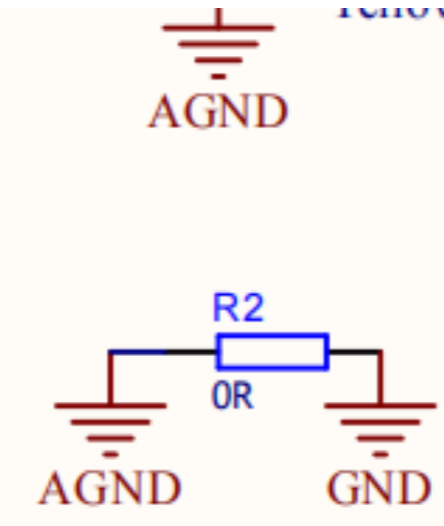
Specification

Resources	Parameters
interface	RCA female seat
switch	Internal dual-channel switching
Product Size	37mm × 24mm × 8mm
Package Size	136mm × 92mm × 13mm
Product Weight	5.4g
Package Weight	10.6g

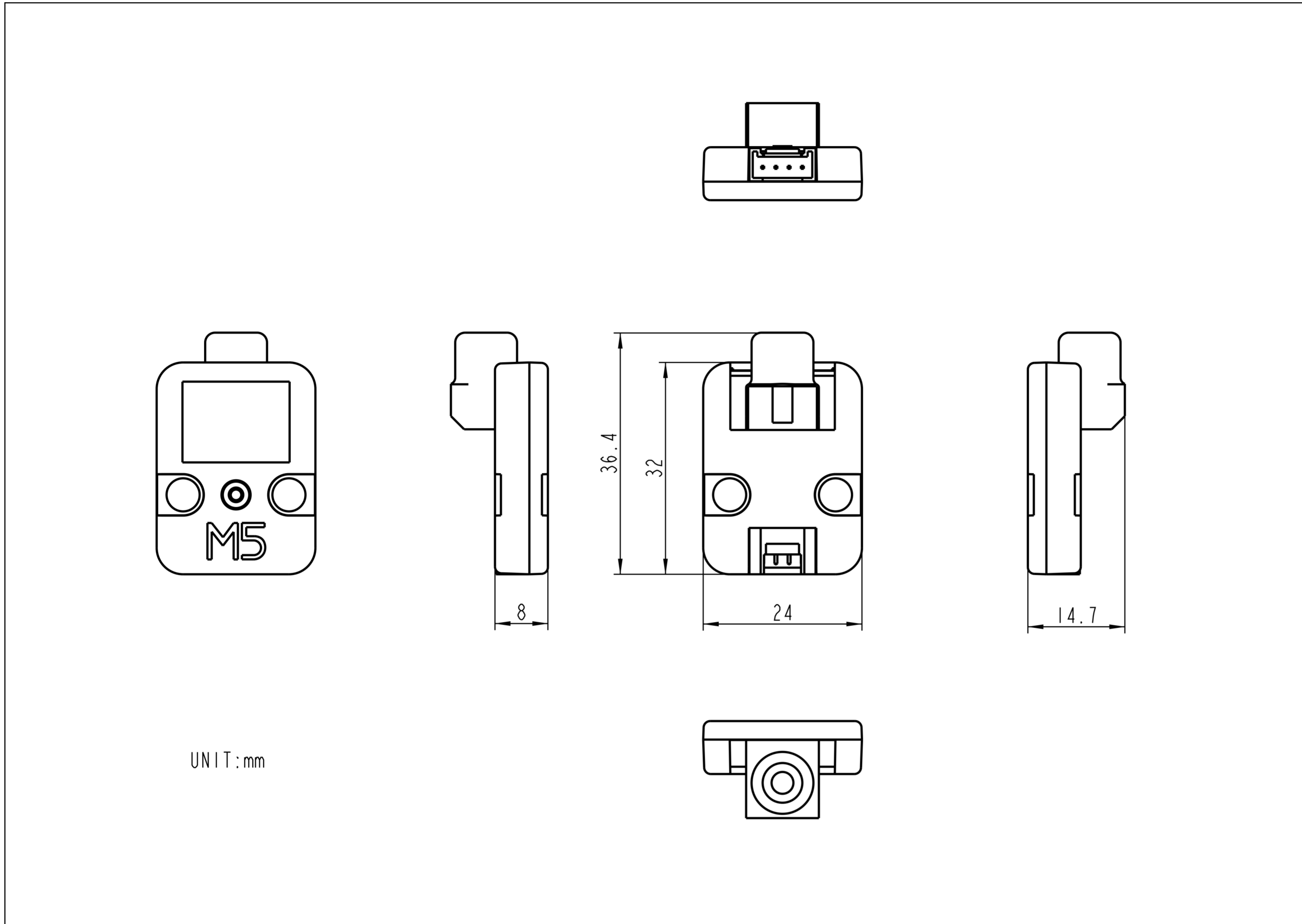


Schematic





Module Size



Examples

Arduino

- [Arduino Example](#)
-

