

# MICRO SWITCH

A DIVISION OF MINNEAPOLIS-HONEYWELL REGULATOR COMPANY  
FREEPORT, ILLINOIS

FED. MFR. CODE 91929

# ACTUATOR-SWITCH

CATALOG LISTING



JS-31

5

(M) JS-31  
ISSUE 1

REPLACES

JS-31

M

DRAWING  
NUMBER

ISSUE  
2  
8  
6

RELEASE NO.

C.A.T. 1 MAR. 56

CHECK

1 MAR. 56

CHECK

1 MAY 58

CHECK

17 MAY 80

CHECK

29 FEB. 56

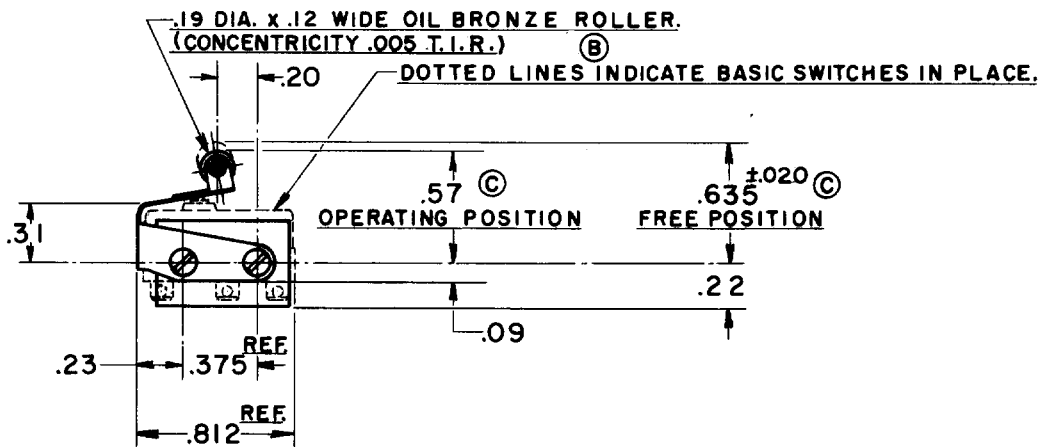
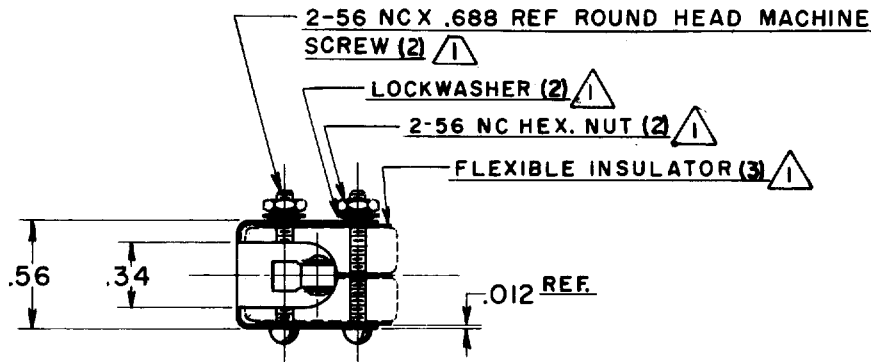
CHECK

29 FEB. 56

CHECK

29 FEB. 56

CHECK



NOTE -  
△-FURNISHED UNASSEMBLED

THIS DRAWING COVERS A PROPRIETARY ITEM AND IS THE PROPERTY OF MICRO SWITCH, A DIVISION OF HONEYWELL. THIS DRAWING IS NOT TO BE COPIED OR USED WITHOUT THE APPROVAL OF MICRO SWITCH.

## CHARACTERISTICS (WITH (2) ISM BASIC SWITCHES INSTALLED)

OPERATING FORCE ----- 2 1/2 LBS. MAX.  
RELEASE FORCE ----- 1 LB. MIN.  
PRETRAVEL ----- .093 MAX.  
DIFFERENTIAL TRAVEL ----- .015 MAX.  
OVERTRAVEL ----- .005 MIN.

## ELECTRICAL DATA

CONTACT ARRANGEMENT

BREAK DISTANCE

SCALE FULL

DO NOT SCALE PRINT

UNLESS OTHERWISE SPECIFIED

DIMENSIONS ARE IN INCHES

TOLERANCES ARE:

ONE PLACE	(.0)	±.030
TWO PLACE	(.00)	±.015
THREE PLACE	(.000)	±.008
ANGLES		±

WEIGHT

©

74-86

DRAWN

R. L. Z. 29 FEB. 56

# Mouser Electronics

Authorized Distributor

Click to View Pricing, Inventory, Delivery & Lifecycle Information:

[Honeywell:](#)

[JS-31](#)