

PLEASE CHECK WWW.MOLEX.COM FOR LATEST PART INFORMATION

Part Number: **0521170411**
Status: **Active**
Overview: Mizu-P25™ Miniature Waterproof Connectors
Description: Mizu-P25™ 2.50mm Pitch Waterproof Wire-to-Wire Receptacle Housing, 4 Circuits

Documents:

[3D Model](#) [Application Specification AS-52117-001-JP-001 \(PDF\)](#)
[Drawing \(PDF\)](#) [Packaging Specification 521170000-P00 \(PDF\)](#)
[Product Specification PS-52117-008-001 \(PDF\)](#) [RoHS Certificate of Compliance \(PDF\)](#)
[Application Specification AS-52117-001-001 \(PDF\)](#)

Agency Certification

UL E29179

General

Product Family Crimp Housings
Series [52117](#)
Application Signal, Wire-to-Wire
Application Tooling Part Link 62202-4400
Overview [Mizu-P25™ Miniature Waterproof Connectors](#)
Product Name Mizu-P25™ Waterproof, Splash Proof
UPC 800754368735

Physical

Circuits (maximum) 4
Color - Resin Black
Gender Receptacle
Glow-Wire Compliant No
Lock to Mating Part Yes
Material - Resin Polyester
Net Weight 1020.000/mg
Number of Rows 1
Packaging Type Tray
Panel Mount No
Pitch - Mating Interface 2.50mm
Stackable No
Temperature Range - Operating -40°C to +105°C

Electrical

Current - Maximum per Contact 3.0A

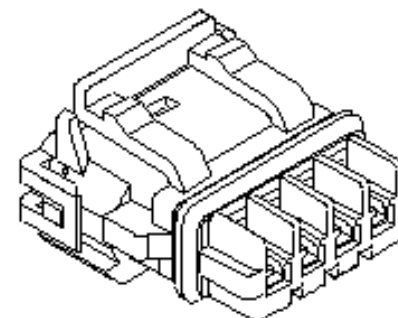
Solder Process Data

Lead-free Process Capability N/A

Material Info

Reference - Drawing Numbers

Application Specification AS-52117-001-001, AS-52117-001-JP-001
Packaging Specification 521170000-P00
Product Specification PS-52117-008-001
Sales Drawing SD-52117-002



Series image - Reference only

EU ELV

Compliant

EU RoHS

Compliant

REACH SVHC

Not Contained Per -
ED/21/2016 (20 June
2016)

Halogen-Free

Status

Not Low-Halogen

Need more information on product environmental compliance?

Email productcompliance@molex.com
Please visit the [Contact Us](#) section for any non-product compliance questions.

China ROHS

ELV

RoHS Phthalates

Green Image

Compliant

Not Contained

Search Parts in this Series

[52117 Series](#)

Mates With

[52116 Mizu-P25™ 2.50mm Pitch Waterproof Wire-to-Wire Plug Housing](#)

Use With

[50039 Mizu-P25™ Crimp Terminal](#)

Application Tooling | FAQ

Tooling specifications and manuals are found by selecting the products below. Crimp Height Specifications are then contained in the Application Tooling Specification document.

Global

Description

Product #

Sealing Cap Hand Tool [0622024400](#)

This document was generated on 11/16/2016

PLEASE CHECK WWW.MOLEX.COM FOR LATEST PART INFORMATION