

Customer Information Sheet

DRAWING No.: M80-5T1XXXXMC

IF IN DOUBT - ASK

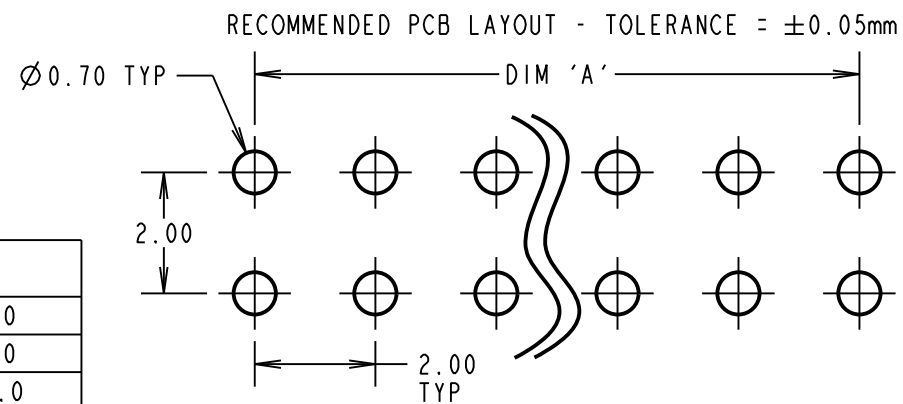
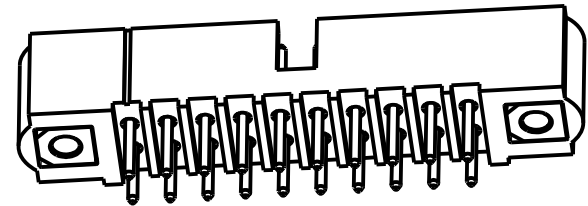
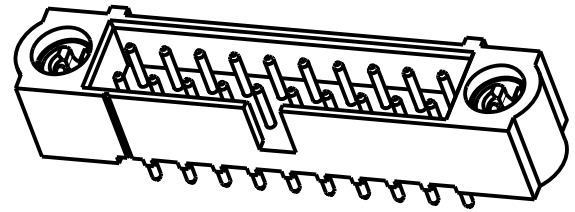
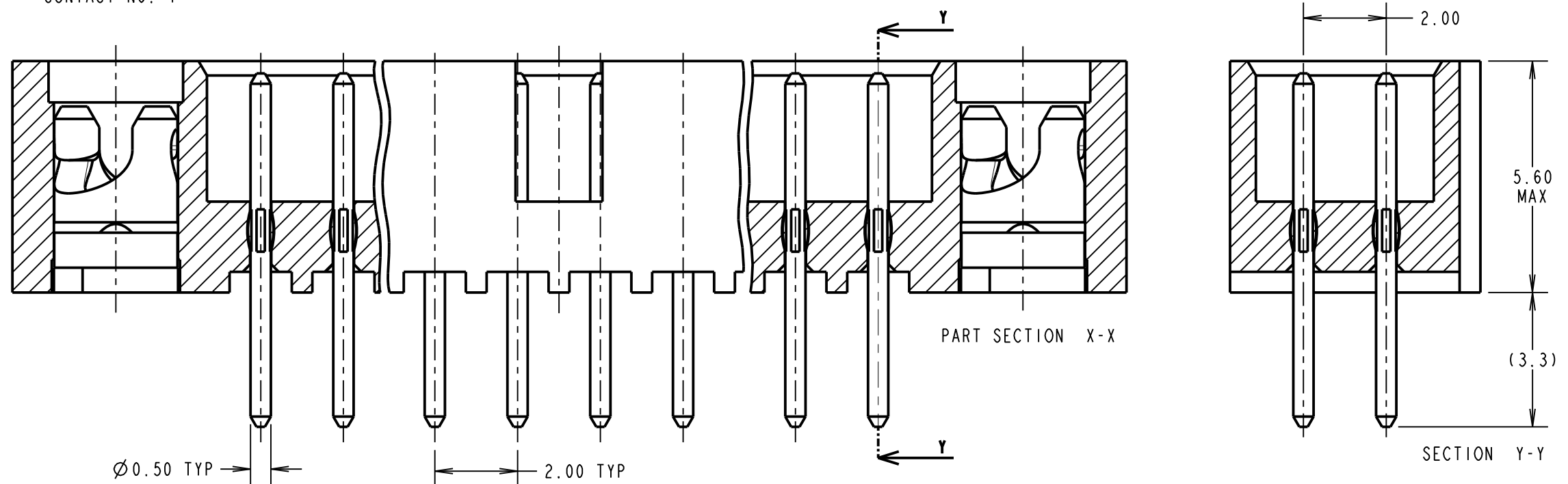
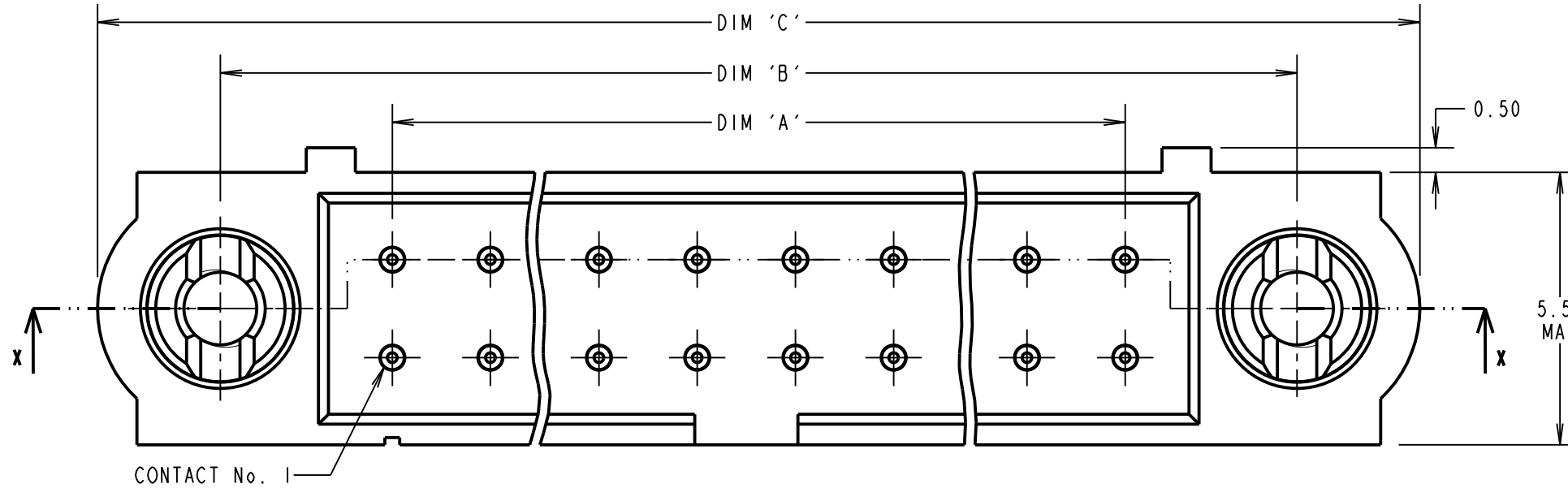
©

NOT TO SCALE

THIRD ANGLE PROJECTION

ALL DIMENSIONS IN mm

SPECIFICATIONS:
MATERIAL:
 Moulding = GLASS-FILLED PPS,
 UL94V-0, BLACK
 CONTACT = PHOSPHOR BRONZE
 10ILOK RETAINER = STAINLESS STEEL
FINISH (CONTACTS):
 05 = 0.75µm GOLD ALL OVER
 22 = 0.75µm GOLD ON CONTACT AREA,
 3µm TIN/LEAD ON TAILS
 42 = 0.75µm GOLD ON CONTACT AREA,
 3µm 100% TIN OVER NICKEL ON TAILS
ELECTRICAL:
 CURRENT RATING AT 25°C = 3.0A MAX
 CURRENT RATING AT 85°C = 2.2A MAX
 WORKING VOLTAGE = 800V AC/DC
 VOLTAGE PROOF = 1200V AC/DC
 CONTACT RESISTANCE = 25mΩ MAX
 INSULATION RESISTANCE = 100MΩ MIN
MECHANICAL:
 DURABILITY = 500.
ENVIRONMENTAL:
 TEMPERATURE RANGE = -55°C TO +125°C
PACKING:
 TUBE
 FOR COMPLETE SPECIFICATION, SEE COMPONENT
 SPECIFICATION C005XX (LATEST ISSUE)



ORDER CODE: **M80-5T1XXXXMC**

TOTAL No. OF CONTACTS: 04 TO 50 (EVEN NUMBERS ONLY)

FINISH CODE:
 05 - ALL OVER GOLD
 22 - GOLD ON CONTACT AREA / TIN/LEAD ON TAIL
 42 - GOLD ON CONTACT AREA / 100% TIN OVER NICKEL ON TAIL

MGP	3	20.04.20	21950
NAME	ISS.	DATE	C/NOTE
APPROVED: MGP			
CHECKED: RP			
DRAWN: S.FLOWER			
CUSTOMER REF.:			
ASSEMBLY DRG:			

DIMENSION	CALCULATION
DIM 'A'	TOTAL No. OF CONTACTS - 2.00
DIM 'B'	TOTAL No. OF CONTACTS + 5.00
DIM 'C'	TOTAL No. OF CONTACTS + 10.0

EXAMPLE ORDER CODE: CONNECTOR WITH 20 CONTACTS,
 GOLD ON CONTACT AREA AND 100% TIN OVER NICKEL ON TAIL
M80-5T12042MC
 DIM 'A' = 18.00mm, DIM 'B' = 25.00mm, DIM 'C' = 30.0mm

HARWIN
 www.harwin.com
 technical@harwin.com

THIS DRAWING AND ANY INFORMATION OR DESCRIPTIVE MATTER SET OUT HEREON ARE CONFIDENTIAL AND COPYRIGHT PROPERTY OF THE HARWIN GROUP AND MUST NOT BE DISCLOSED, LOANED, COPIED OR USED FOR MANUFACTURING, TENDERING OR FOR ANY OTHER PURPOSE WITHOUT THEIR WRITTEN PERMISSION.

TOLERANCES
 X. = ±1mm
 X.X = ±0.50mm
 X.XX = ±0.20mm
 X.XXX = ±0.01mm
ANGLES = ±5°
 UNLESS STATED

MATERIAL: SEE ABOVE
FINISH: SEE ABOVE
S/AREA: mm²

TITLE: DATAMATE J-TEK DIL VERT 3mm PC-TAIL MALE ASSY WITH 10ILOK RETAINERS
DRAWING NUMBER: M80-5T1XXXXMC
 SHT 2 OF 2

Mouser Electronics

Authorized Distributor

Click to View Pricing, Inventory, Delivery & Lifecycle Information:

Harwin:

[M80-5T12042MC](#) [M80-5T10642MC](#) [M80-5T11242MC](#) [M80-5T10842MC](#) [M80-5T11042MC](#) [M80-5T11442MC](#) [M80-5T13442MC](#) [M80-5T12642MC](#) [M80-5T14022MC](#) [M80-5T12022MC](#) [M80-5T11422MC](#) [M80-5T14222MC](#) [M80-5T13822MC](#) [M80-5T14042MC](#) [M80-5T11642MC](#) [M80-5T10442MC](#) [M80-5T11822MC](#) [M80-5T12442MC](#) [M80-5T13622MC](#) [M80-5T13642MC](#) [M80-5T11022MC](#) [M80-5T11842MC](#) [M80-5T10422MC](#) [M80-5T10822MC](#) [M80-5T13422MC](#) [M80-5T13842MC](#) [M80-5T15042MC](#) [M80-5T11622MC](#) [M80-5T12422MC](#) [M80-5T12622MC](#) [M80-5T14242MC](#) [M80-5T10622MC](#) [M80-5T15022MC](#) [M80-5T11222MC](#) [M80-5T10405MC](#)