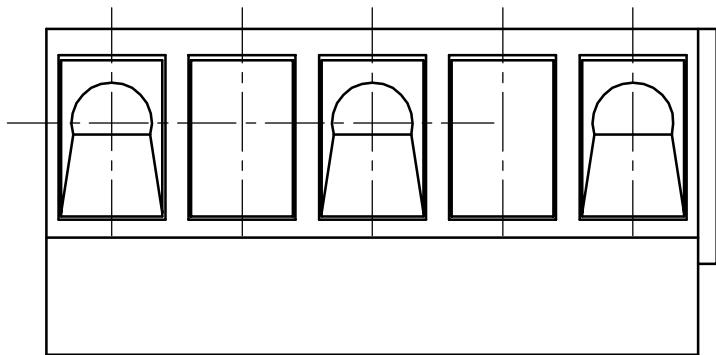
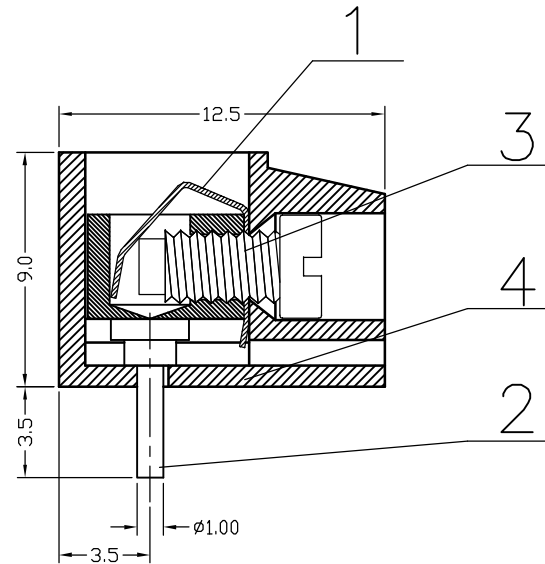
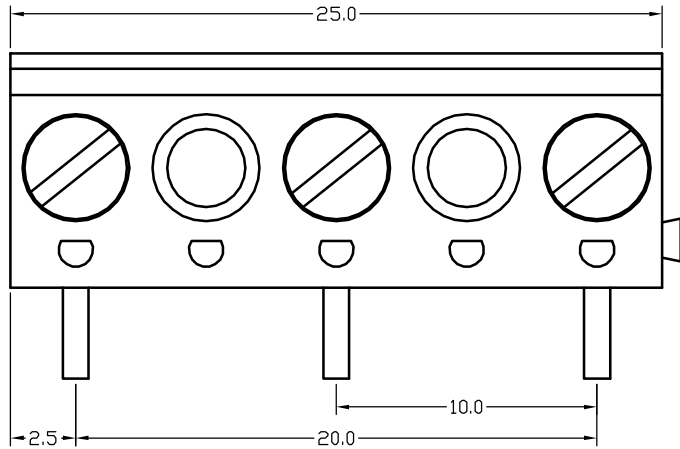


序号/RevNo.	名称/Title	文件编号/File No.
1	XY300弹片	QJ/XYT-2124102
2	XY300R端子	QJ/XYT-2124301
3	XY300螺丝	QJ/XYT-2124103
4	XY300R-A塑件	QJ/XYT-2124302



300V 10A 22-14AWG 2.5mm²
Poles: 3P
Pitch: 10.0mm(.396")

Materials

Housing: PBT(UL 94-0), Blue
Wire Protector: Stainless Steel
Solder Pin: Brass, Tin Plated
Screw: M3, Steel (A3), Zinc Plated
Torque: 0.5N.m

设计/Designed by	绘图/Drawing by	审核/Checked by	批准/Approved by	未注公差 General Tolerance	
		图名/Title	文件编号/File No.	x. ±0.2	x." ±2"
		XY300RA-3P 产品图	QJ/XYT-2224300	.x ±0.1	.x" ±1"
备注/Remark		页序/Sheet		.xx ±0.05	.xx" ±0.5"
				.xxx ±0.01	
				单位/Units: mm	

序号/RevNo.	更改记录/Revision note	签名/Signature	日期/Date