

FlashLight

SKU:U152



Description

FlashLight UNIT is an I/O Unit with built-in flash, including AW3641 driver and a white LED, with a color temperature of 5000-5700K. There is a mode selection switch on the board, which can set the flash mode and the constant lighting mode. The communication interface is GPIO. This Unit can be used as a flash or lighting applications.

Features

- PWM Brightness Adjustment Method
- Over-Temperature Protection
- Over-Voltage and Short-Circuit Protection

Includes

- 1x FlashLight Unit
- 1x HY2.0-4P Cable

Applications

- Light source
- DIY

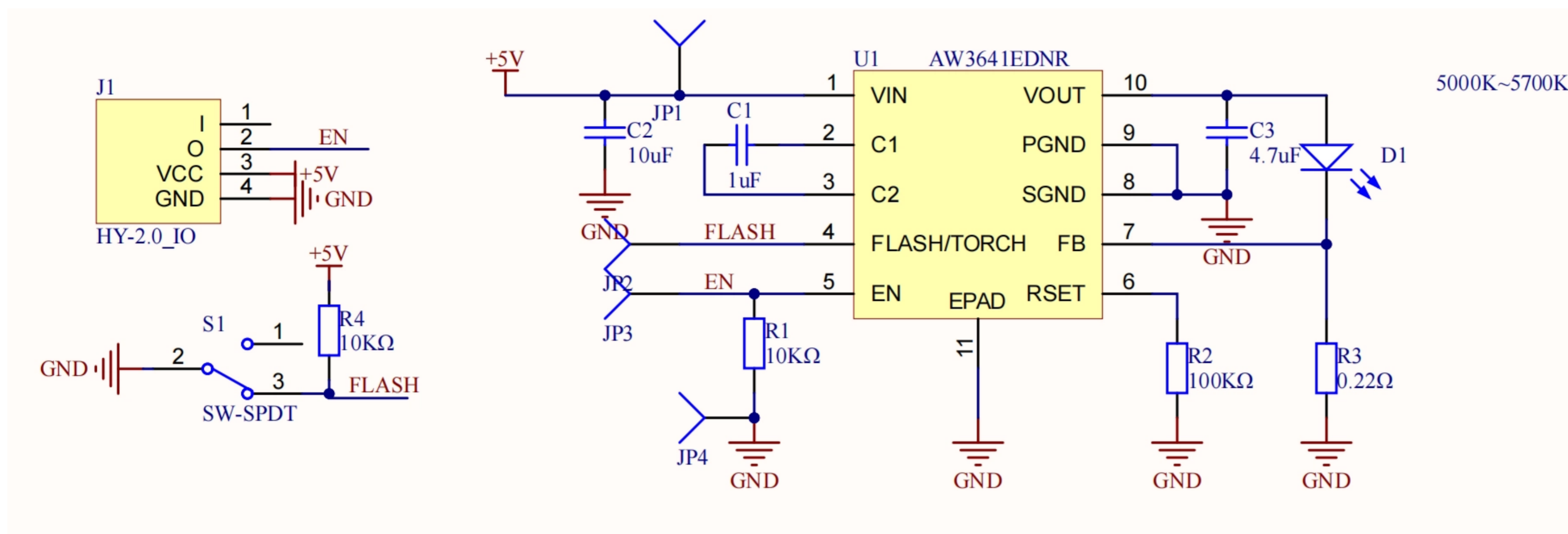
Specification

Resources	Parameters
Driver chip	AW3641EDNR
Adjustment Mode	PWM
AW3641EDNR Operation Temperature Range	-40°C to +85°C
Unit Operation Temperature	0°C to +40°C
Color Temperature	5000K~5700K (Kevin)
Product Size	32mm × 24mm × 8mm
Package Size	67mm × 53mm × 12mm
Product Weight	4.7g
Package Weight	9.8g

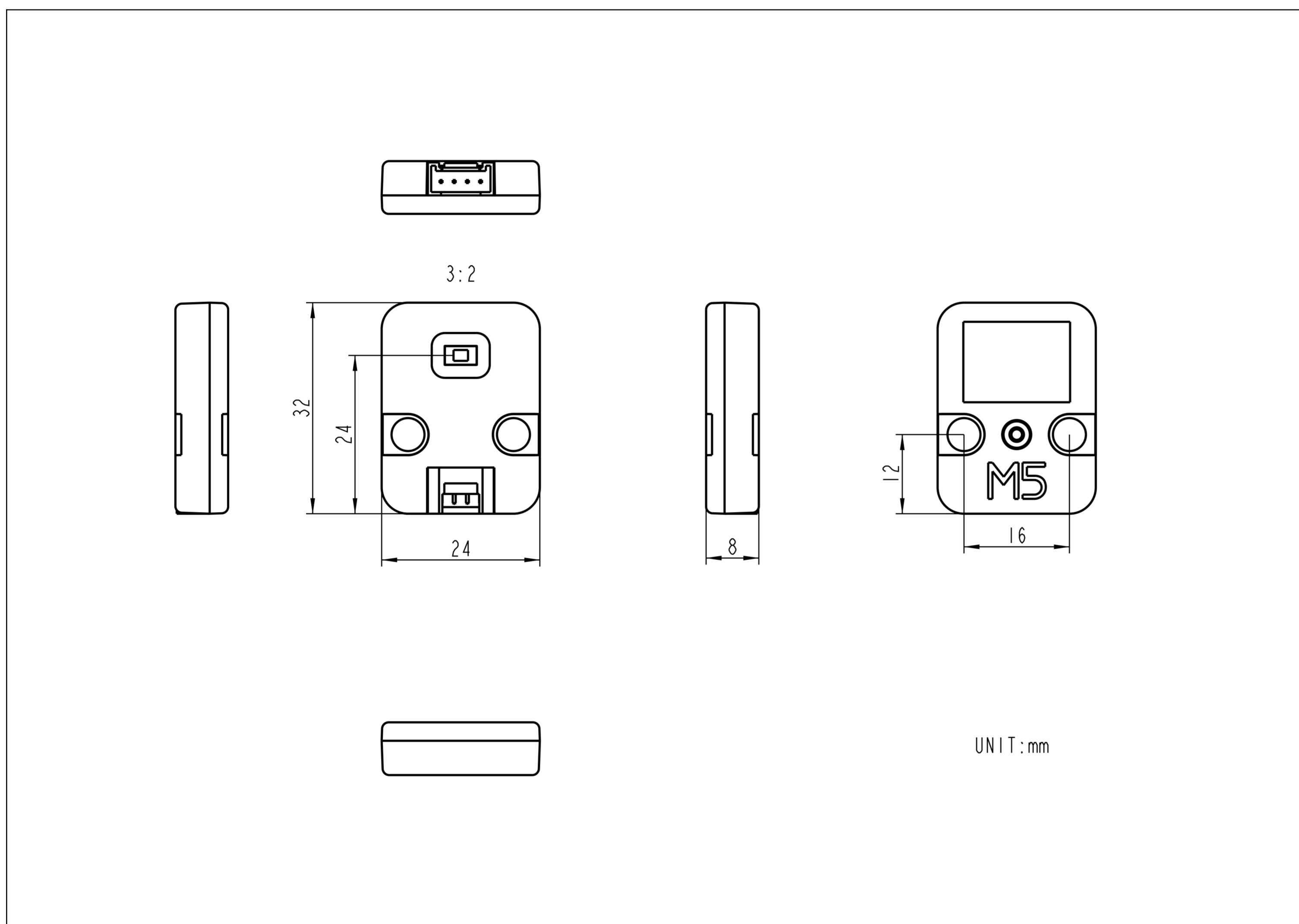


Related Link

Schematic



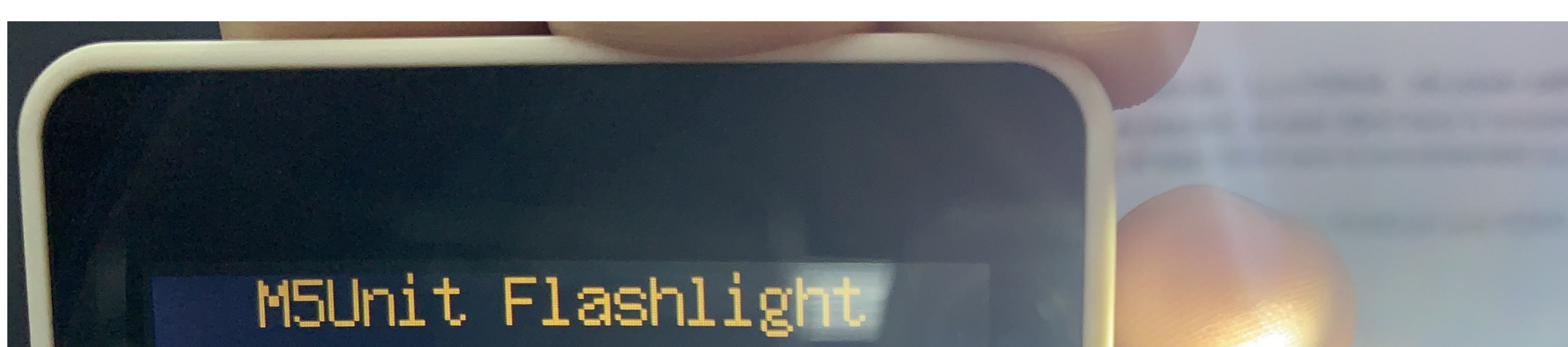
Module Size



Examples

Arduino

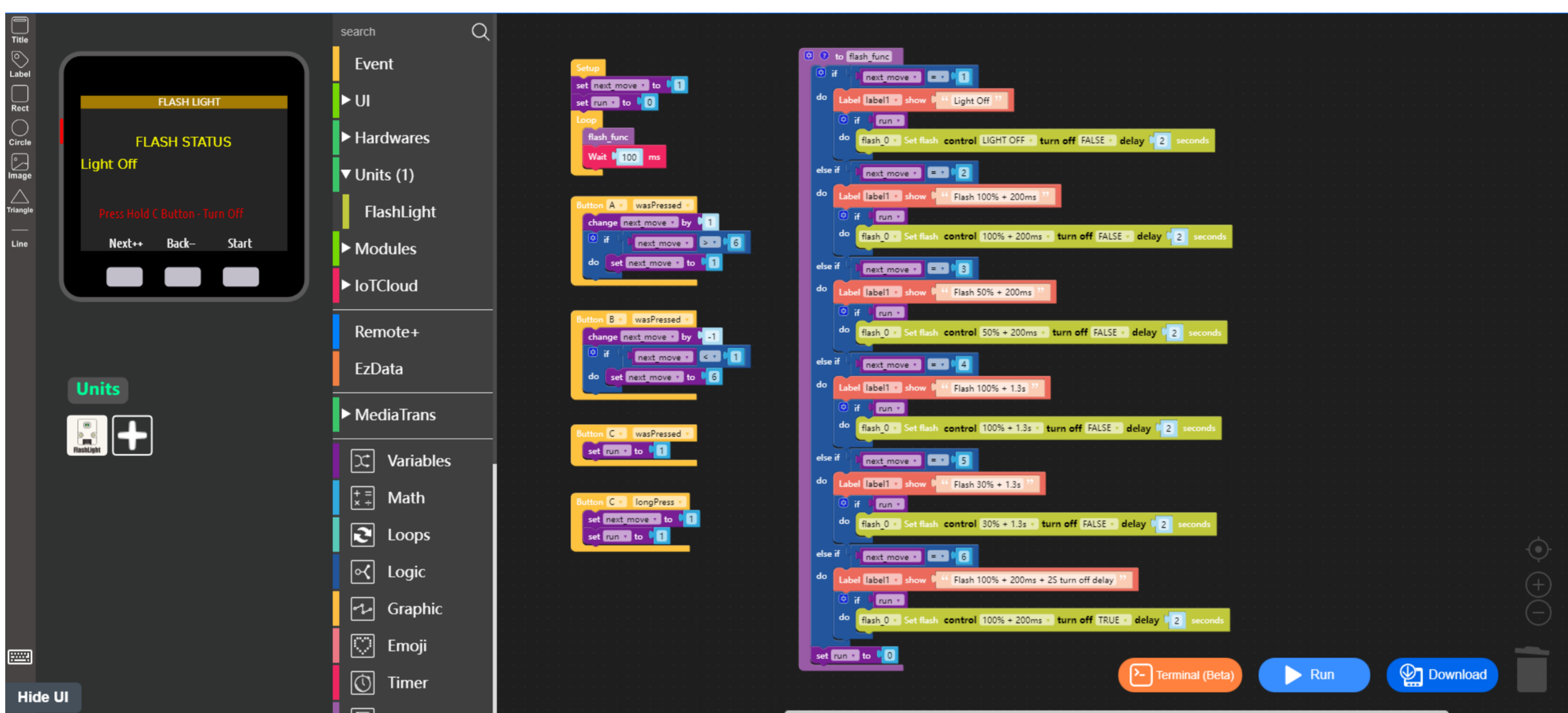
- SetFlashTimeAndBrightness





UIFlow

- [UiFlow Example](#)



UIFlow Blocks

- Set flash control (Set the duty cycle 30%-100%, and toggle FlashLight)

