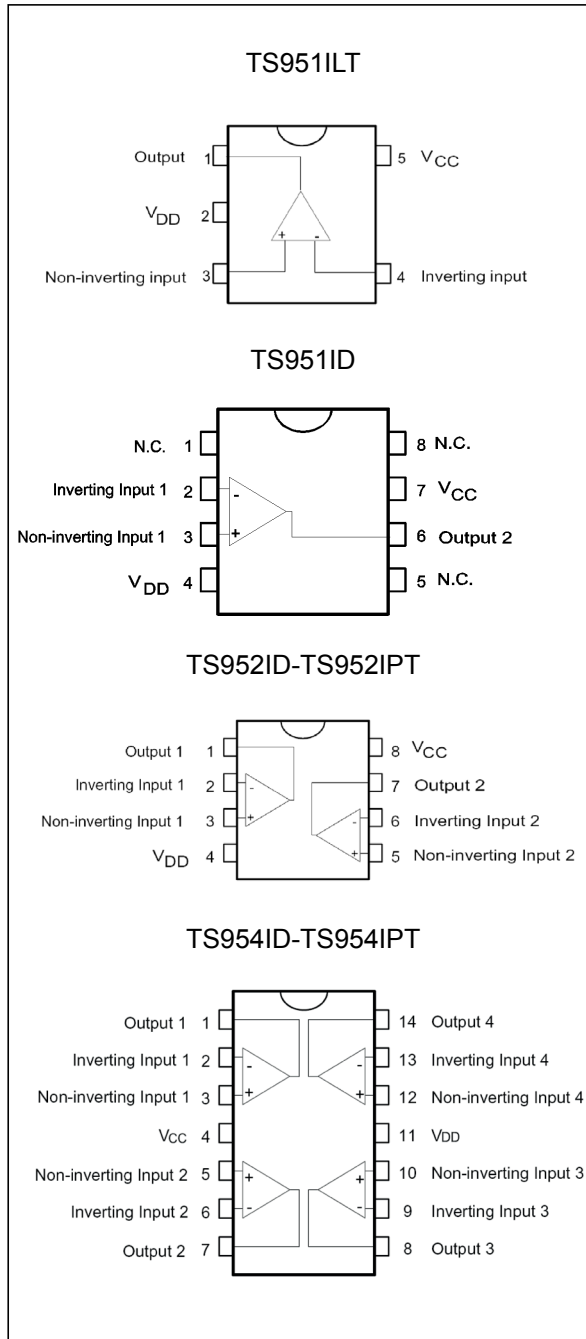


## Input/output rail-to-rail low-power operational amplifiers

Datasheet - production data



### Features

- Rail-to-rail input common mode voltage range
- Rail-to-rail output voltage swing
- Operates from 2.7 V to 12 V
- High-speed (3 MHz, 1 V/ $\mu$ s)
- Low consumption (0.9 mA at 3 V)
- Supply voltage rejection ratio: 80 dB
- Latch-up immunity
- Available in SOT23-5 micropackage, SO8, TSSOP8, SO14, and TSSOP14 packages

### Applications

- Set-top boxes
- Laptop/notebook computers
- Transformer/line drivers
- Personal entertainment (CD players)
- Portable communications (cell phones, pagers)
- Instrumentation and sensors
- Digital-to-analog converter buffers
- Portable headphone speaker drivers

### Description

The TS951, TS952, and TS954 family of devices are rail-to-rail BiCMOS operational amplifiers optimized and fully specified for 3 V and 5 V operation.

The TS951 device is housed in the space-saving 5-pin SOT23 package that makes it well suited for battery powered systems. This micropackage simplifies the PC board design because of its ability to be placed in tight spaces (outside dimensions are: 2.8 mm x 2.9 mm).

# Contents

- 1      Absolute maximum ratings and operating conditions ..... 3**
- 2      Electrical characteristics ..... 5**
- 3      Package information ..... 9**
  - 3.1    SOT23-5 package information ..... 10
  - 3.2    SO8 package information ..... 11
  - 3.3    TSSOP8 package information ..... 12
  - 3.4    SO14 package information ..... 13
  - 3.5    TSSOP14 package information ..... 14
- 4      Ordering information ..... 15**
- 5      Revision history ..... 16**

# 1 Absolute maximum ratings and operating conditions

Table 1. Absolute maximum ratings

Symbol	Parameter	Value	Unit	
$V_{CC}$	Supply voltage <sup>(1)</sup>	14	V	
$V_{id}$	Differential input voltage <sup>(2)</sup>	$\pm 1$		
$V_{in}$	Input voltage <sup>(3)</sup>	$V_{DD}-0.3$ to $V_{CC}+0.3$		
$T_{stg}$	Storage temperature range	-65 to +150	°C	
$T_j$	Maximum junction temperature	150		
$R_{thja}$	Thermal resistance junction-to-ambient <sup>(4)</sup>		°C/W	
	SOT23-5	250		
	SO8	125		
	TSSOP8	120		
	SO14	103		
$R_{thjc}$	Thermal resistance junction-to-case <sup>(4)</sup>		°C/W	
	SOT23-5	81		
	SO-8	40		
	TSSOP8	37		
	SO14	31		
ESD	HBM: human body model <sup>(5)</sup>		kV	
	TS951	1		
	TS952	2		
ESD	MM: machine model <sup>(6)</sup>	120	V	
	CDM: charged device model <sup>(7)</sup>	TS951	1.5	kV
		TS952	1.5	
TS954		1		
	Latch-up immunity	200	mA	
	Lead temperature (soldering, 10 sec.)	260	°C	

- All voltage values, except differential voltage are with respect to network ground terminal.
- Differential voltages are the non-inverting input terminal with respect to the inverting input terminal. If  $V_{id} > \pm 1$  V, the maximum input current must not exceed  $\pm 1$  mA. In this case ( $V_{id} > \pm 1$  V), an input series resistor must be added to limit input current.
- Do not exceed 14 V.
- Short-circuits can cause excessive heating and destructive dissipation.  $R_{th}$  are typical values.
- Human body model: a 100 pF capacitor is charged to the specified voltage, then discharged through a 1.5 k $\Omega$  resistor between two pins of the device. This is done for all couples of connected pin combinations while the other pins are floating.
- Machine model: a 200 pF capacitor is charged to the specified voltage, then discharged directly between two pins of the device with no external series resistor (internal resistor < 5  $\Omega$ ). This is done for all couples of connected pin combinations while the other pins are floating.
- Charged device model: all pins and the package are charged together to the specified voltage and then discharged directly to ground through only one pin. This is done for all pins.

Table 2. Operating conditions

Symbol	Parameter	Value	Unit
$V_{CC}$	Supply voltage	2.7 to 12	V
$V_{icm}$	Common mode input voltage range	$V_{DD} - 0.2$ to $V_{CC} + 0.2$	
$T_{oper}$	Operating free air temperature range	-40 to +125	°C

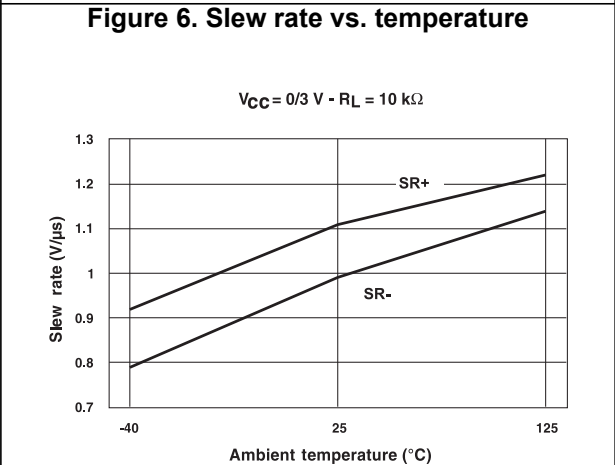
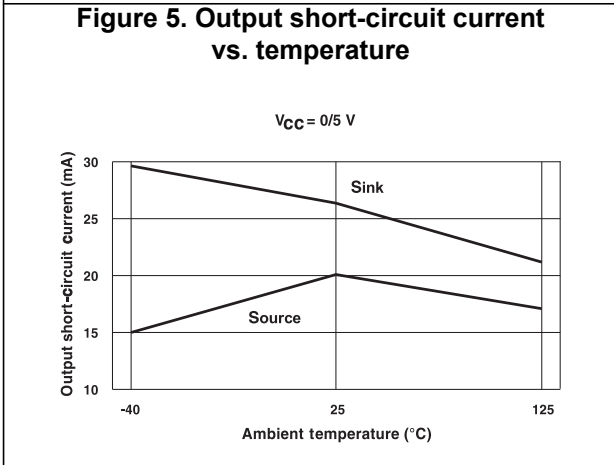
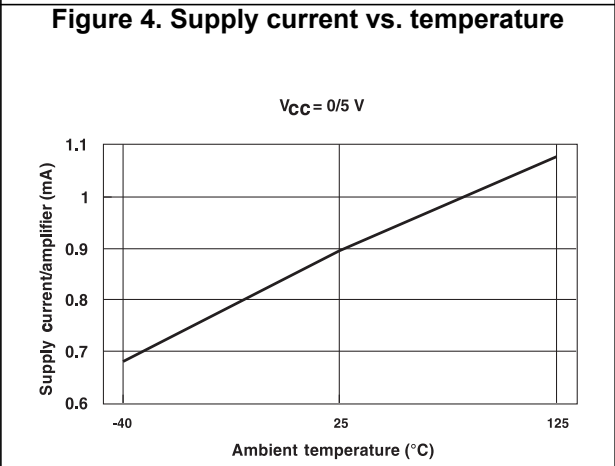
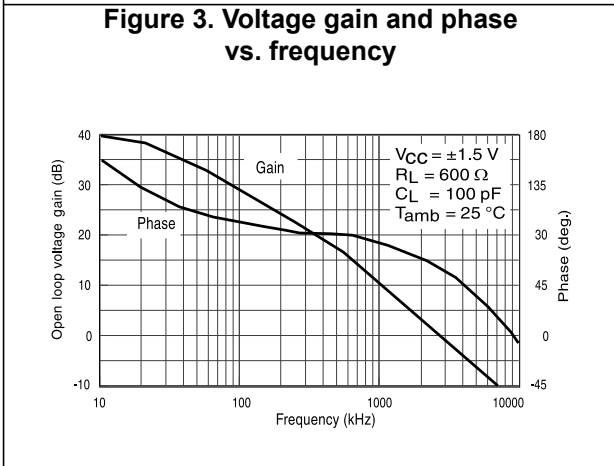
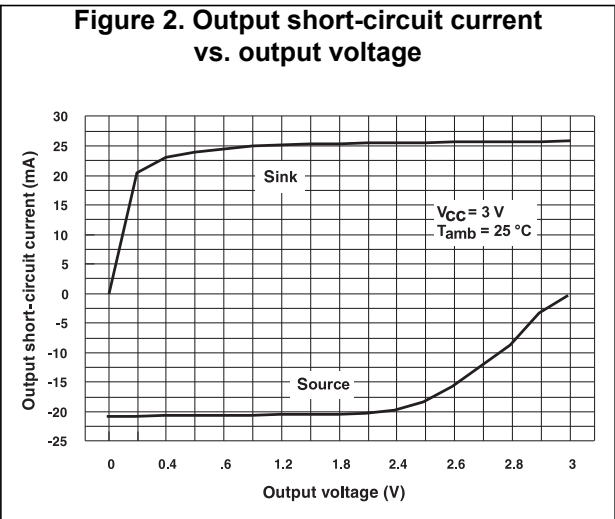
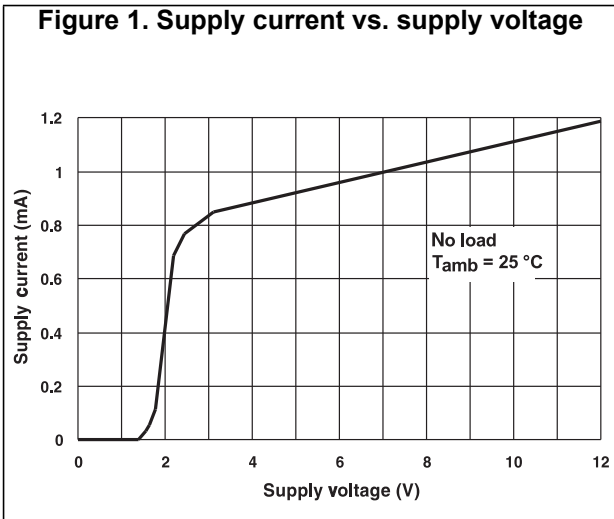
## 2 Electrical characteristics

**Table 3. Electrical characteristics at  $V_{CC} = +3\text{ V}$ ,  $V_{DD} = 0\text{ V}$ ,  $R_L$  connected to  $V_{CC}/2$ ,  $T_{amb} = 25\text{ °C}$  (unless otherwise specified)**

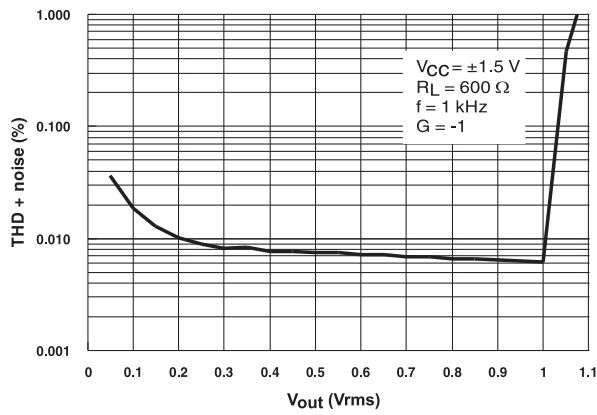
Symbol	Parameter	Min.	Typ.	Max.	Unit
$V_{io}$	Input offset voltage $T_{min} \leq T_{amb} \leq T_{max}$			6 8	mV
$\Delta V_{io}/\Delta T$	Input offset voltage drift		2		$\mu\text{V}/\text{°C}$
$I_{io}$	Input offset current $T_{min} \leq T_{amb} \leq T_{max}$		1	30 80	nA
$I_{ib}$	Input bias current $V_{icm} = V_{CC}/2$ $T_{min} \leq T_{amb} \leq T_{max}$		35	100 200	nA
CMR	Common mode rejection ratio	50	80		dB
SVR	Supply voltage rejection ratio $V_{CC} = 2.7\text{ V to } 3.3\text{ V}$	60	80		
$A_{vd}$	Large signal voltage gain $V_o = 2 V_{pk-pk}$ , $R_L = 600\ \Omega$		80		
$V_{OH}$	High level output voltage $R_L = 600\ \Omega$	2.8	2.9		V
$V_{OL}$	Low level output voltage $R_L = 600\ \Omega$		80	250	mV
$I_{sc}$	Output short-circuit current	10			mA
$I_{CC}$	Supply current (per amplifier) No load, $V_{icm} = V_{CC}/2$		0.9	1.3	
GBP	Gain bandwidth product $R_L = 2\text{ k}\ \Omega$		3		MHz
SR	Slew rate		1		V/ $\mu\text{s}$
$\phi_m$	Phase margin at unit gain $R_L = 600\ \Omega$ , $C_L = 100\text{ pF}$		60		Degrees
Gm	Gain margin $R_L = 600\ \Omega$ , $C_L = 100\text{ pF}$		10		dB
$e_n$	Equivalent input noise voltage $f = 1\text{ kHz}$		25		$\frac{\text{nV}}{\sqrt{\text{Hz}}}$
THD	Total harmonic distortion $V_{out} = 4 V_{pk-pk}$ , $F = 10\text{ kHz}$ , $A_V = 2$ , $R_L = 10\text{ k}\Omega$		0.01		%

**Table 4. Electrical characteristics at  $V_{CC} = +5\text{ V}$ ,  $V_{DD} = 0\text{ V}$ ,  $R_L$  connected to  $V_{CC}/2$ ,  $T_{amb} = 25\text{ °C}$  (unless otherwise specified)**

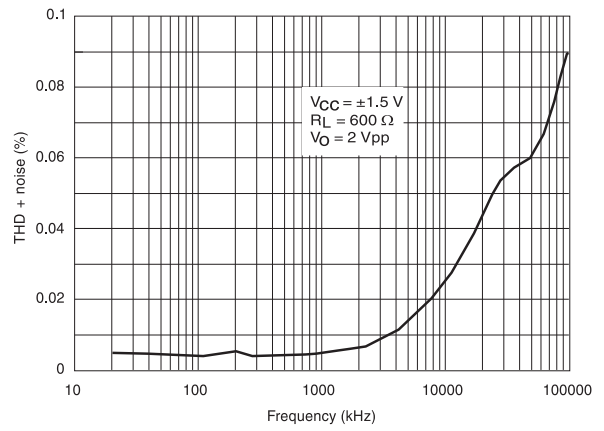
Symbol	Parameter	Min.	Typ.	Max.	Unit
$V_{io}$	Input offset voltage $T_{min} \leq T_{amb} \leq T_{max}$			6 8	mV
$\Delta V_{io}/\Delta T$	Input offset voltage drift		2		$\mu\text{V}/\text{°C}$
$I_{io}$	Input offset current $V_{icm} = V_{CC}/2$ $T_{min} \leq T_{amb} \leq T_{max}$		1	30 80	nA
$I_{ib}$	Input bias current $V_{icm} = V_{CC}/2$ $T_{min} \leq T_{amb} \leq T_{max}$		35	100 200	
CMR	Common mode rejection ratio	50	80		dB
SVR	Supply voltage rejection ratio $V_{CC} = 2.7\text{ V to } 3.3\text{ V}$	60	80		
$A_{vd}$	Large signal voltage gain $V_o = 2\text{ V}_{pk-pk}$ , $R_L = 600\ \Omega$		86		
$V_{OH}$	High level output voltage $R_L = 600\ \Omega$	4.7	4.8		V
$V_{OL}$	Low level output voltage $R_L = 600\ \Omega$		80	300	mV
$I_{sc}$	Output short-circuit current	10			mA
$I_{CC}$	Supply current (per amplifier) No load, $V_{icm} = V_{CC}/2$		0.95	1.4	
GBP	Gain bandwidth product $R_L = 2\text{ k}\Omega$		3		MHz
SR	Slew rate		1		$\text{V}/\mu\text{s}$
$\phi_m$	Phase margin at unit gain $R_L = 600\ \Omega$ , $C_L = 100\text{ pF}$		60		Degrees
Gm	Gain margin $R_L = 600\ \Omega$ , $C_L = 100\text{ pF}$		10		dB
$e_n$	Equivalent input noise voltage $f = 1\text{ kHz}$		25		$\frac{\text{nV}}{\sqrt{\text{Hz}}}$
THD	Total harmonic distortion $V_{out} = 4\text{ V}_{pk-pk}$ , $F = 10\text{ kHz}$ , $A_V = 2$ , $R_L = 10\text{ k}\Omega$		0.01		%



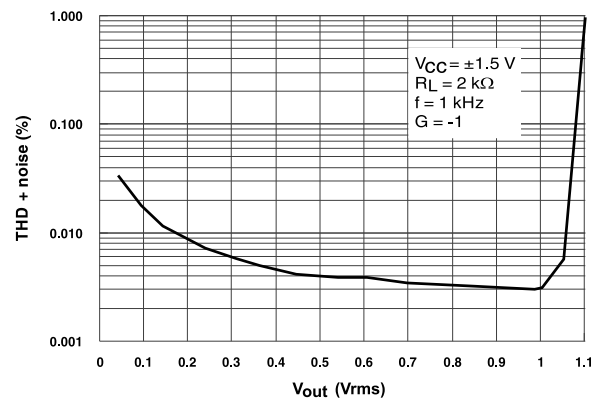
**Figure 7. THD + noise vs.  $V_{out}$  ( $V_{CC} = \pm 1.5 V$ ,  $R_L = 600 \Omega$ ,  $f = 1 kHz$ ,  $G = -1$ )**



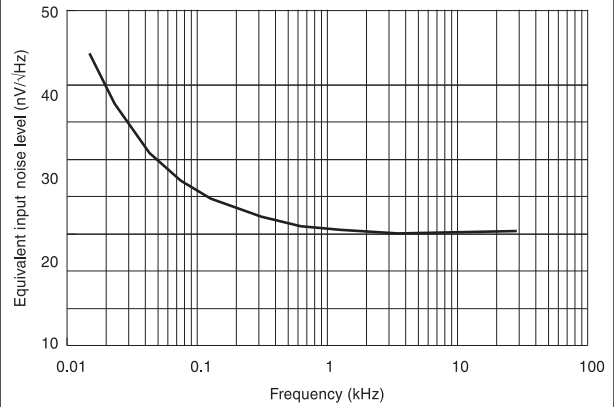
**Figure 8. THD + noise vs. frequency**



**Figure 9. THD + noise vs.  $V_{out}$  ( $V_{CC} = \pm 1.5 V$ ,  $R_L = 2 k\Omega$ ,  $f = 1 kHz$ ,  $G = -1$ )**



**Figure 10. Equivalent input noise voltage vs. frequency**





### 3 Package information

In order to meet environmental requirements, ST offers these devices in different grades of ECOPACK<sup>®</sup> packages, depending on their level of environmental compliance. ECOPACK<sup>®</sup> specifications, grade definitions and product status are available at: [www.st.com](http://www.st.com). ECOPACK<sup>®</sup> is an ST trademark.

### 3.1 SOT23-5 package information

Figure 11. SOT23-5 package outline

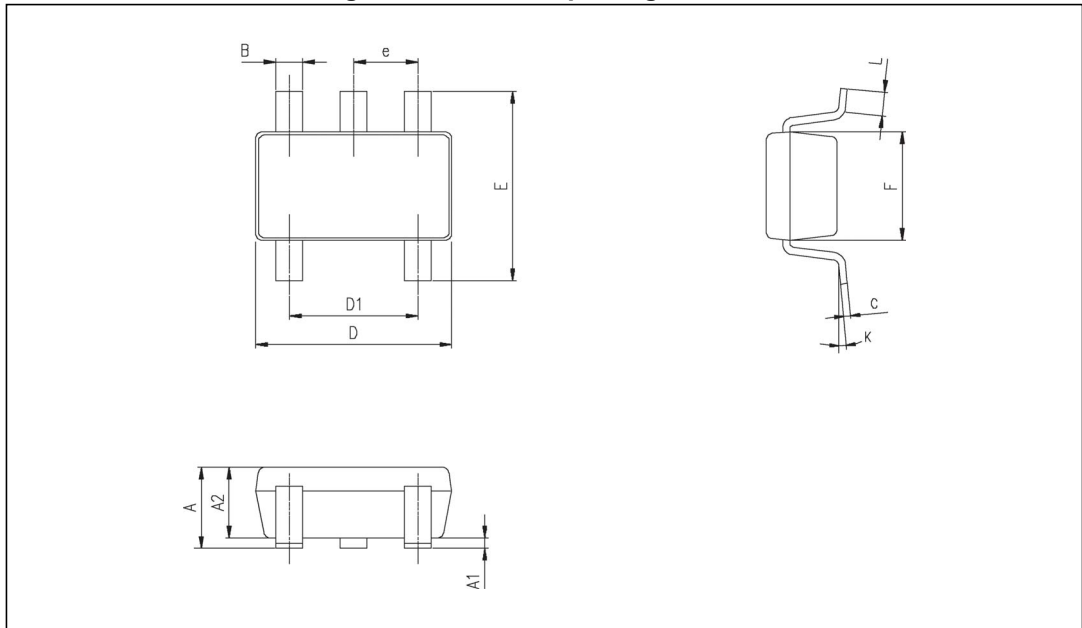


Table 5. SOT23-5 package mechanical data

Symbol	Dimensions					
	Millimeters			Inches		
	Min.	Typ.	Max.	Min.	Typ.	Max.
A	0.90	1.20	1.45	0.035	0.047	0.057
A1			0.15			0.006
A2	0.90	1.05	1.30	0.035	0.041	0.051
B	0.35	0.40	0.50	0.013	0.015	0.019
C	0.09	0.15	0.20	0.003	0.006	0.008
D	2.80	2.90	3.00	0.110	0.114	0.118
D1		1.90			0.075	
e		0.95			0.037	
E	2.60	2.80	3.00	0.102	0.110	0.118
F	1.50	1.60	1.75	0.059	0.063	0.069
L	0.10	0.35	0.60	0.004	0.013	0.023
K	0 degrees		10 degrees			

### 3.2 SO8 package information

Figure 12. SO8 package outline

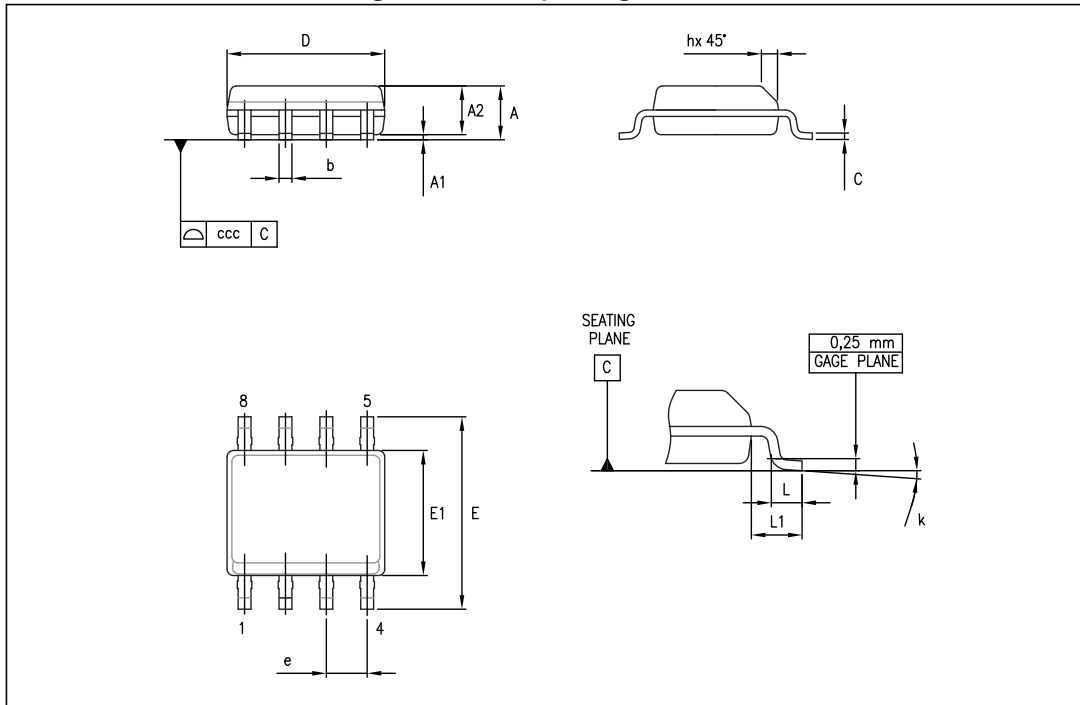


Table 6. SO8 package mechanical data

Symbol	Dimensions					
	Millimeters			Inches		
	Min.	Typ.	Max.	Min.	Typ.	Max.
A			1.75			0.069
A1	0.10		0.25	0.004		0.010
A2	1.25			0.049		
b	0.28		0.48	0.011		0.019
c	0.17		0.23	0.007		0.010
D	4.80	4.90	5.00	0.189	0.193	0.197
E	5.80	6.00	6.20	0.228	0.236	0.244
E1	3.80	3.90	4.00	0.150	0.154	0.157
e		1.27			0.050	
h	0.25		0.50	0.010		0.020
L	0.40		1.27	0.016		0.050
L1		1.04			0.040	
k	1°		8°	1°		8°
ccc			0.10			0.004

### 3.3 TSSOP8 package information

Figure 13. TSSOP8 package outline

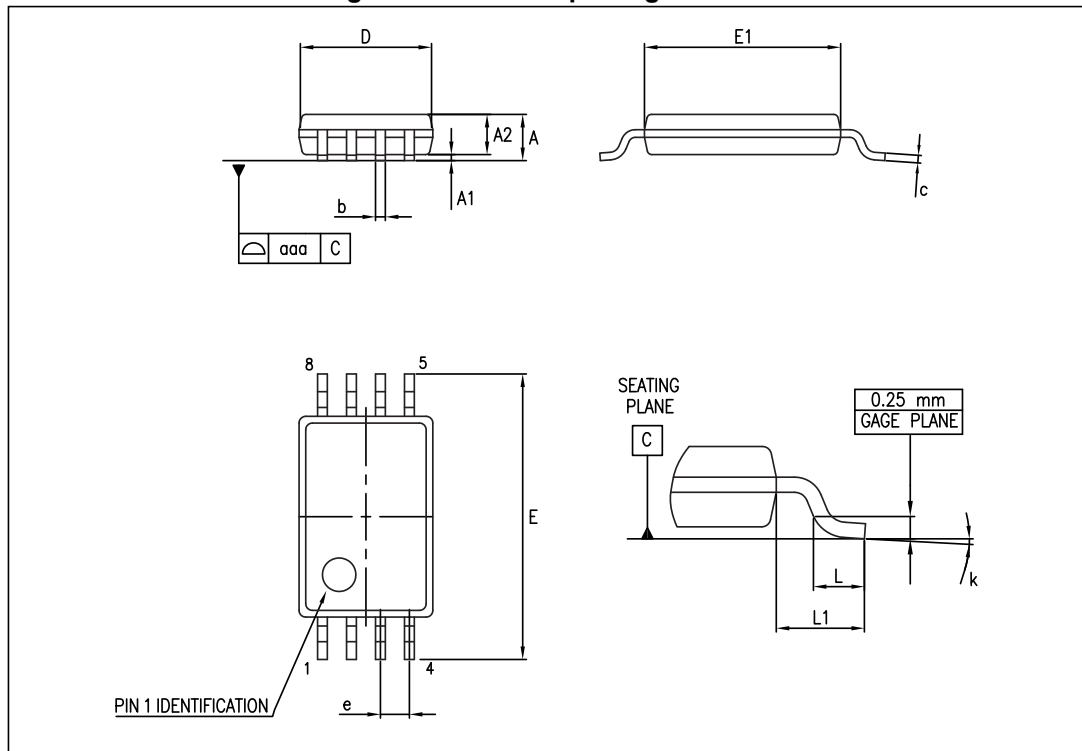


Table 7. TSSOP8 package mechanical data

Symbol	Dimensions					
	Millimeters			Inches		
	Min.	Typ.	Max.	Min.	Typ.	Max.
A			1.20			0.047
A1	0.05		0.15	0.002		0.006
A2	0.80	1.00	1.05	0.031	0.039	0.041
b	0.19		0.30	0.007		0.012
c	0.09		0.20	0.004		0.008
D	2.90	3.00	3.10	0.114	0.118	0.122
E	6.20	6.40	6.60	0.244	0.252	0.260
E1	4.30	4.40	4.50	0.169	0.173	0.177
e		0.65			0.0256	
k	0°		8°	0°		8°
L	0.45	0.60	0.75	0.018	0.024	0.030
L1		1			0.039	
aaa			0.10			0.004

### 3.4 SO14 package information

Figure 14. SO14 package outline

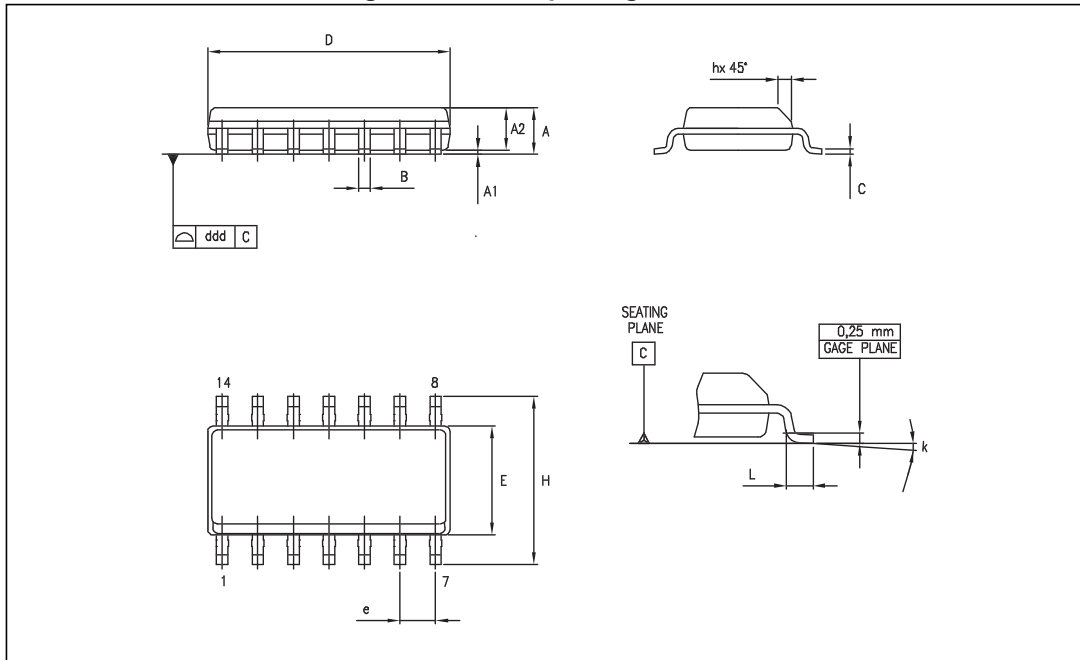


Table 8. SO14 package mechanical data

Symbol	Dimensions					
	Millimeters			Inches		
	Min.	Typ.	Max.	Min.	Typ.	Max.
A	1.35		1.75	0.05		0.068
A1	0.10		0.25	0.004		0.009
A2	1.10		1.65	0.04		0.06
B	0.33		0.51	0.01		0.02
C	0.19		0.25	0.007		0.009
D	8.55		8.75	0.33		0.34
E	3.80		4.0	0.15		0.15
e		1.27			0.05	
H	5.80		6.20	0.22		0.24
h	0.25		0.50	0.009		0.02
L	0.40		1.27	0.015		0.05
k	8° (max.)					
ddd			0.10			0.004

### 3.5 TSSOP14 package information

Figure 15. TSSOP14 package outline

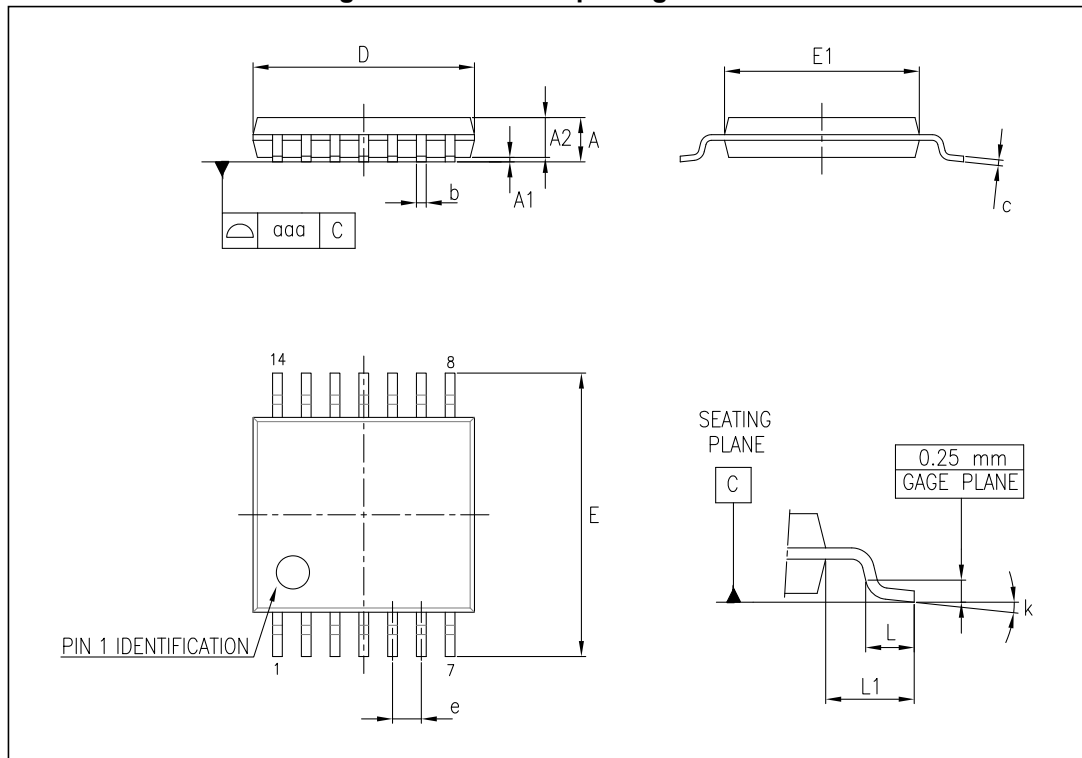


Table 9. TSSOP14 package mechanical data

Symbol	Dimensions					
	Millimeters			Inches		
	Min.	Typ.	Max.	Min.	Typ.	Max.
A			1.20			0.047
A1	0.05		0.15	0.002	0.004	0.006
A2	0.80	1.00	1.05	0.031	0.039	0.041
b	0.19		0.30	0.007		0.012
c	0.09		0.20	0.004		0.0089
D	4.90	5.00	5.10	0.193	0.197	0.201
E	6.20	6.40	6.60	0.244	0.252	0.260
E1	4.30	4.40	4.50	0.169	0.173	0.176
e		0.65			0.0256	
L	0.45	0.60	0.75	0.018	0.024	0.030
L1		1.00			0.039	
k	0°		8°	0°		8°
aaa			0.10			0.004

## 4 Ordering information

Table 10. Order codes

Order code	Temperature range	Package	Packaging	Marking
TS951IDT	-40 °C to +125 °C	SO8	Tape and reel	951I
TS951ILT		SOT23-5L	Tape and reel	K101
TS951IYLT <sup>(1)</sup>		SOT23-5L (automotive grade)		K102
TS952IDT		SO8	Tape and reel	952I
TS952IYDT <sup>(1)</sup>		SO8 (automotive grade)		952IY
TS952IPT		TSSOP8	Tape and reel	952I
TS952IYPT <sup>(1)</sup>		TSSOP8 (automotive grade)		952Y
TS954IDT		SO14	Tape and reel	954I
TS954IYDT <sup>(1)</sup>		SO14 (automotive grade)		954IY
TS954IPT		TSSOP14	Tape and reel	954I
TS954IYPT <sup>(1)</sup>		TSSOP14 (automotive grade)		954Y

1. Qualified and characterized according to AEC Q100 and Q003 or equivalent, advanced screening according to AEC Q001 and Q002 or equivalent.

## 5 Revision history

**Table 11. Document revision history**

Date	Revision	Changes
01-May-2001	1	Initial release.
02-Jan-2005	2	Modifications on AMR <a href="#">Table 1 on page 3</a> (explanation of $V_{id}$ and $V_i$ limits, ESD MM and CDM values added, $R_{thja}$ added).
03-Jul-2005	3	PPAP references inserted in the datasheet see <a href="#">Table 10: Order codes</a> .
04-Aug-2005	4	Table data was badly formatted, see <a href="#">Table 4 on page 6</a> .
15-Dec-2005	5	TS951IYLT PPAP reference added, see <a href="#">Table 10: Order codes</a> .
10-Dec-2007	6	Added missing order codes, and automotive grade status in <a href="#">Table 10: Order codes</a> . Updated footnotes for ESD parameters in <a href="#">Table 1: Absolute maximum ratings</a> . Reformatted package information.
10-Mar-2009	7	Removed TS951IN and TS951IYD/DT from <a href="#">Table 10: Order codes</a> .
24-Feb-2011	8	Changed TS951IYLT marking and updated automotive grade status in <a href="#">Table 10: Order codes</a> .
21-Nov-2012	9	Updated <a href="#">Features</a> (added DIP8, SO-8, TSSOP8, DIP14, SO-14, and TSSOP14 package). Updated <a href="#">Table 1</a> (added values of DIP8 and DIP14 packages for $R_{thja}$ and $R_{thjc}$ symbols). Updated title of <a href="#">Figure 7</a> and <a href="#">Figure 9</a> (added conditions). Updated <a href="#">Table 10</a> (removed TS952IYD and TS954IYD order code, qualified status of TS954IYPT and TS952IYPT order code). Minor corrections throughout document.
11-Sep-2013	10	Removed DIP8 and DIP14 packages and all information pertaining to them. <a href="#">Table 10: Order codes</a> ; updated marking of order code TS951IYLT from K1A2 to K102.
27-Jun-2014	11	Updated ESD(MM) in <a href="#">Table 1: Absolute maximum ratings</a> Updated <a href="#">Table 10: Order codes</a>



**Please Read Carefully:**

Information in this document is provided solely in connection with ST products. STMicroelectronics NV and its subsidiaries ("ST") reserve the right to make changes, corrections, modifications or improvements, to this document, and the products and services described herein at any time, without notice.

All ST products are sold pursuant to ST's terms and conditions of sale.

Purchasers are solely responsible for the choice, selection and use of the ST products and services described herein, and ST assumes no liability whatsoever relating to the choice, selection or use of the ST products and services described herein.

No license, express or implied, by estoppel or otherwise, to any intellectual property rights is granted under this document. If any part of this document refers to any third party products or services it shall not be deemed a license grant by ST for the use of such third party products or services, or any intellectual property contained therein or considered as a warranty covering the use in any manner whatsoever of such third party products or services or any intellectual property contained therein.

**UNLESS OTHERWISE SET FORTH IN ST'S TERMS AND CONDITIONS OF SALE ST DISCLAIMS ANY EXPRESS OR IMPLIED WARRANTY WITH RESPECT TO THE USE AND/OR SALE OF ST PRODUCTS INCLUDING WITHOUT LIMITATION IMPLIED WARRANTIES OF MERCHANTABILITY, FITNESS FOR A PARTICULAR PURPOSE (AND THEIR EQUIVALENTS UNDER THE LAWS OF ANY JURISDICTION), OR INFRINGEMENT OF ANY PATENT, COPYRIGHT OR OTHER INTELLECTUAL PROPERTY RIGHT.**

**ST PRODUCTS ARE NOT DESIGNED OR AUTHORIZED FOR USE IN: (A) SAFETY CRITICAL APPLICATIONS SUCH AS LIFE SUPPORTING, ACTIVE IMPLANTED DEVICES OR SYSTEMS WITH PRODUCT FUNCTIONAL SAFETY REQUIREMENTS; (B) AERONAUTIC APPLICATIONS; (C) AUTOMOTIVE APPLICATIONS OR ENVIRONMENTS, AND/OR (D) AEROSPACE APPLICATIONS OR ENVIRONMENTS. WHERE ST PRODUCTS ARE NOT DESIGNED FOR SUCH USE, THE PURCHASER SHALL USE PRODUCTS AT PURCHASER'S SOLE RISK, EVEN IF ST HAS BEEN INFORMED IN WRITING OF SUCH USAGE, UNLESS A PRODUCT IS EXPRESSLY DESIGNATED BY ST AS BEING INTENDED FOR "AUTOMOTIVE, AUTOMOTIVE SAFETY OR MEDICAL" INDUSTRY DOMAINS ACCORDING TO ST PRODUCT DESIGN SPECIFICATIONS. PRODUCTS FORMALLY ESCC, QML OR JAN QUALIFIED ARE DEEMED SUITABLE FOR USE IN AEROSPACE BY THE CORRESPONDING GOVERNMENTAL AGENCY.**

Resale of ST products with provisions different from the statements and/or technical features set forth in this document shall immediately void any warranty granted by ST for the ST product or service described herein and shall not create or extend in any manner whatsoever, any liability of ST.

ST and the ST logo are trademarks or registered trademarks of ST in various countries.

Information in this document supersedes and replaces all information previously supplied.

The ST logo is a registered trademark of STMicroelectronics. All other names are the property of their respective owners.

© 2014 STMicroelectronics - All rights reserved

STMicroelectronics group of companies

Australia - Belgium - Brazil - Canada - China - Czech Republic - Finland - France - Germany - Hong Kong - India - Israel - Italy - Japan - Malaysia - Malta - Morocco - Philippines - Singapore - Spain - Sweden - Switzerland - United Kingdom - United States of America

[www.st.com](http://www.st.com)

