



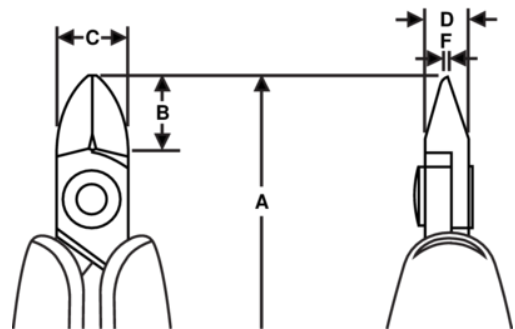
RX 8130-RX 8162

**ERGO™ Precision Diagonal Cutters
with Oval Head**



PRODUCT DETAILS




- Precision oval head diagonal cutters developed according to the scientific ERGO™ process, Oval head
- ERGO™ handles with two-component combination, thermoplastic surface, for comfortable grip, on tough polypropylene core for rigidity
- Micro-bevel, flush and ultra-cut
- The cutting capacity that is given is for copper wire
- Cutting capacity: 0.1 mm-0.8 mm to 0.4 mm-2 mm
- High performance alloyed steel
- Phosphate finish
- Numerically controlled machine grinding guarantees edge angle accuracy and contact, increases the tool's reliability and consistency
- Precision induction-hardened edges 63-65 HRC
- Screw joint minimises friction and maximises alignment of cutting edges
- ESD safe handles in two-component synthetic material
- Bio spring limits the tension throughout the working cycle of the tool and can be adjusted to 3 different cycle positions or removed
- Ideal for wire harness work and standard printed circuit board assembly



Follow the Fish!



PRODUCT ATTRIBUTES

Product	A	B	C	D	F			
RX 8130	133.5 mm	8.5 mm	8 mm	5 mm	0.8 mm	0.2-1.0 mm	Micro	68 g
RX 8131	133.5 mm	8.5 mm	8 mm	5 mm	0.8 mm	0.1-1.0 mm	Flush	68 g
RX 8132	133.5 mm	8.5 mm	8 mm	5 mm	0.8 mm	0.1-0.8 mm	Ultra	68 g
RX 8140	135.5 mm	10.5 mm	10 mm	6 mm	0.8 mm	0.2-1.25 mm	Micro	70 g
RX 8141	135.5 mm	10.5 mm	10 mm	6 mm	0.8 mm	0.1-1.25 mm	Flush	70 g
RX 8142	135.5 mm	10.5 mm	10 mm	6 mm	0.8 mm	0.1-1.0 mm	Ultra	70 g
RX 8150	138.0 mm	13 mm	12.5 mm	6 mm	1.2 mm	0.3-1.6 mm	Micro	73 g
RX 8151	138.0 mm	13 mm	12.5 mm	6 mm	1.2 mm	0.2-1.6 mm	Flush	73 g
RX 8152	138.0 mm	13 mm	12.5 mm	6 mm	1.2 mm	0.2-1.25 mm	Ultra	73 g
RX 8160	147.0 mm	16 mm	16 mm	8 mm	1.6 mm	0.4-2.0 mm	Micro	97 g
RX 8161	147.0 mm	16 mm	16 mm	8 mm	1.6 mm	0.3-2.0 mm	Flush	97 g
RX 8162	147.0 mm	16 mm	16 mm	8 mm	1.6 mm	0.3-1.6 mm	Ultra	97 g

Follow the Fish!

