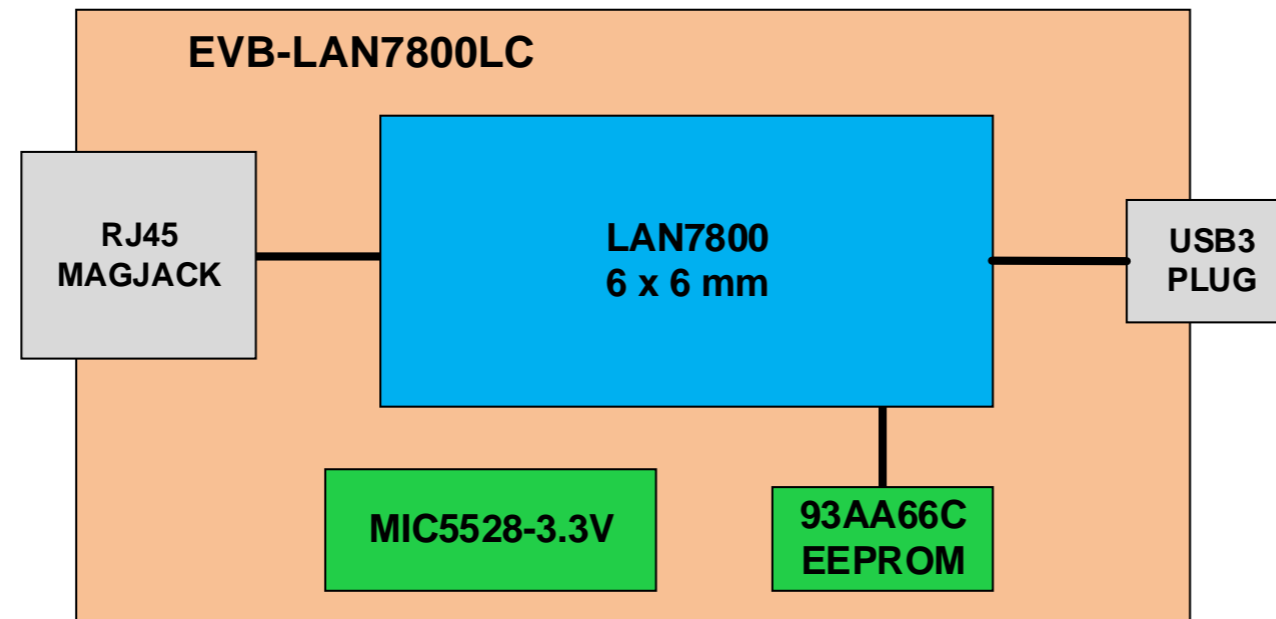
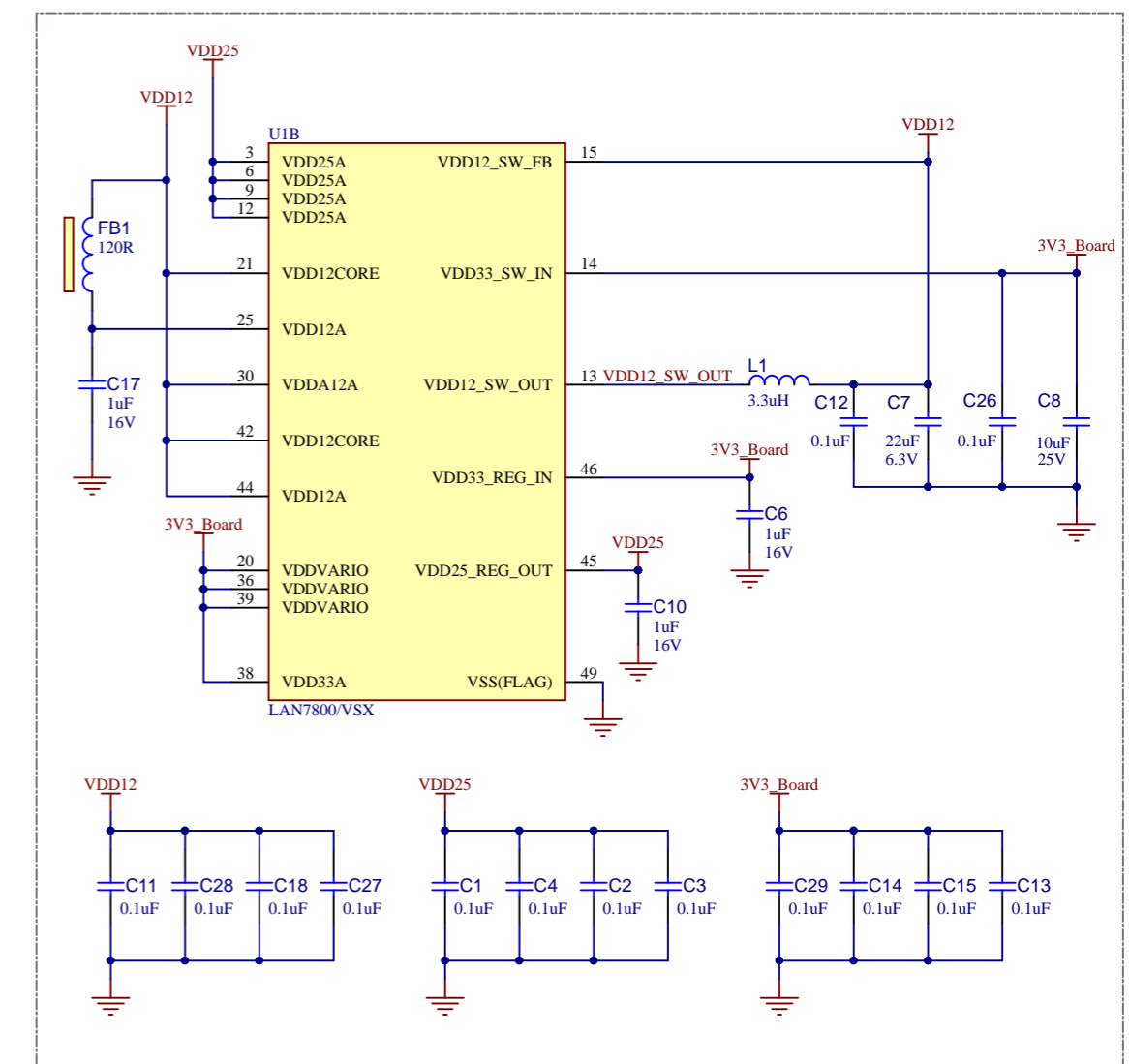
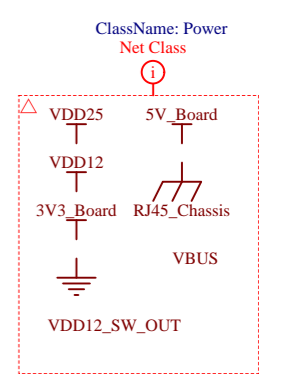
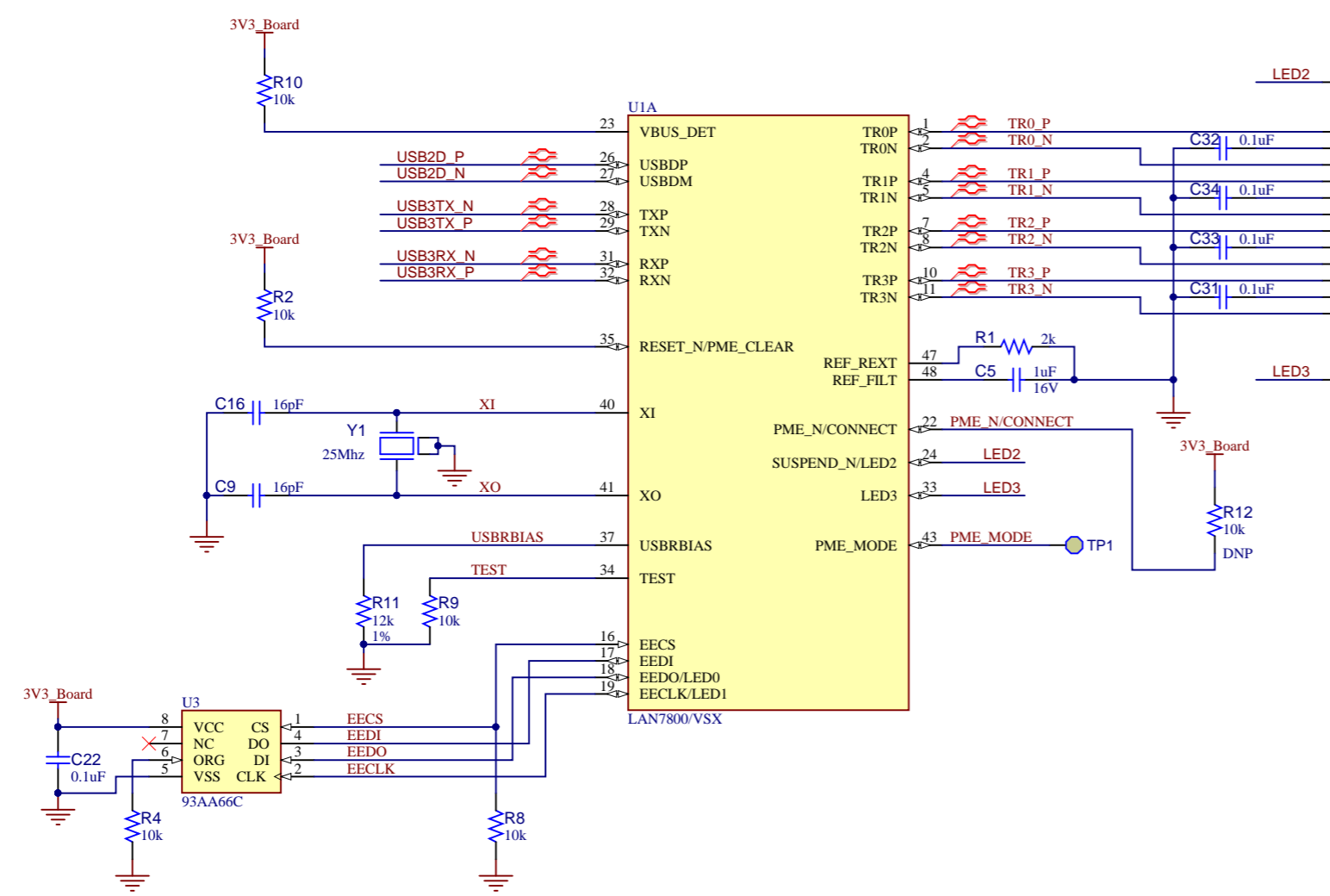
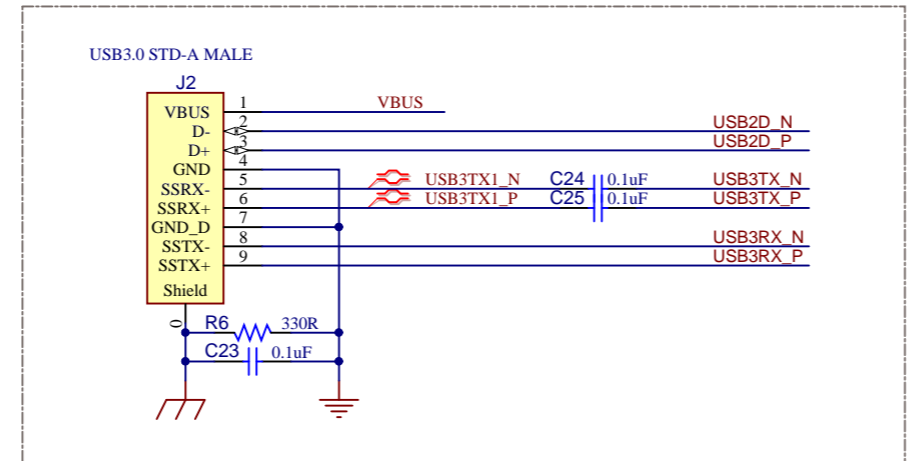
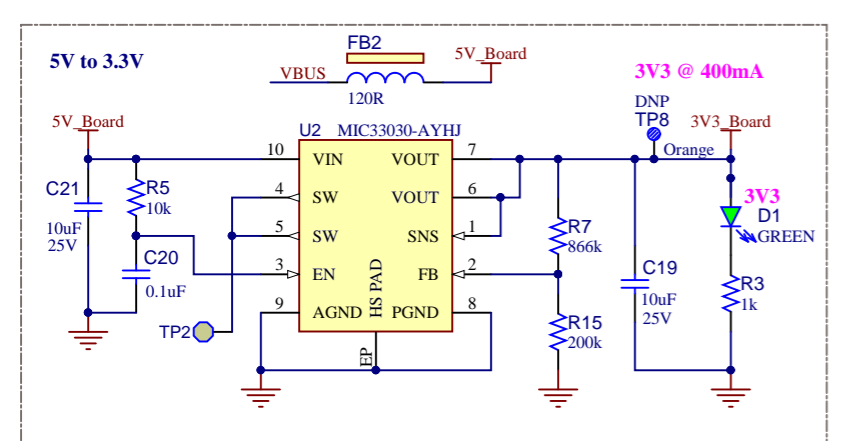


Revision History			
Revision	Date	Revision Summary	Author
A	3-16-2016	Initial schematic	M. Rahman
B	8-04-2016	Updated USB-C plug connectivity	A. Cruz
C	7-31-2018	Replaced USB-C plug with USB3-A plug, replaced L1 inductor, replaced U2 MIC5528 LDO for MIC33030 switching regulator.	A. Cruz
1	1-14-2019	Released for Manufacturing	A. Cruz





Upstream Facing USB3-A Plug



MICROCHIP Microchip Technology, Inc. USB/Network Group - UNG www.Microchip.com

Altium Designed with Altium.com

Description: **EVB-LAN7800LC USB3-A**

Page Title: **LAN7800, RJ45 MagJack, USB Type-C Plug**

Project Name: **EVB-LAN7800LC - UNG8055** PN: **03-10949**

Size: B | Date: **9/5/2018** | Designer: **Arnaldo Cruz** | Sheet 2 of 2 | Rev 1



Mouser Electronics

Authorized Distributor

Click to View Pricing, Inventory, Delivery & Lifecycle Information:

[Microchip:](#)

[EVB-LAN7800LC-1](#)