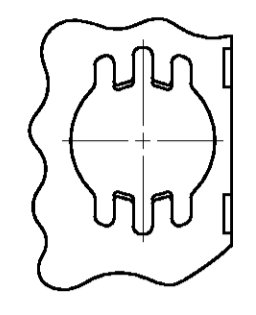


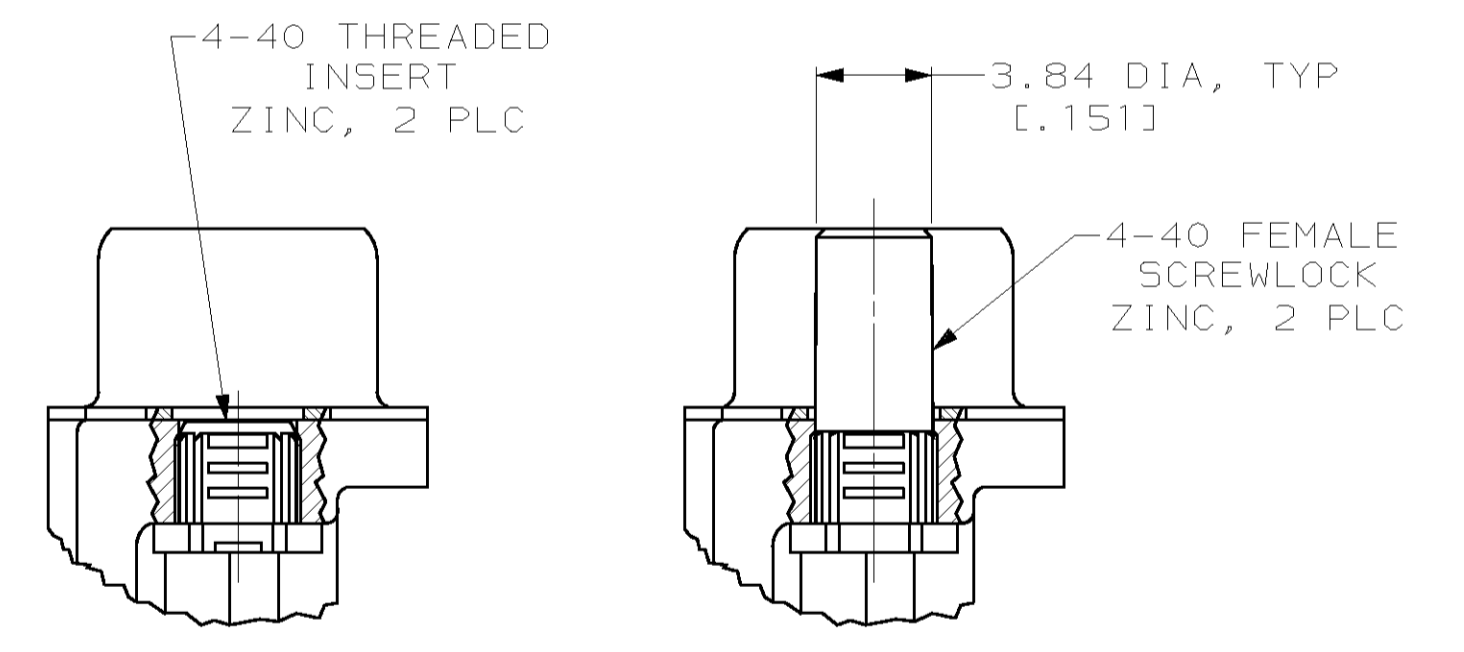
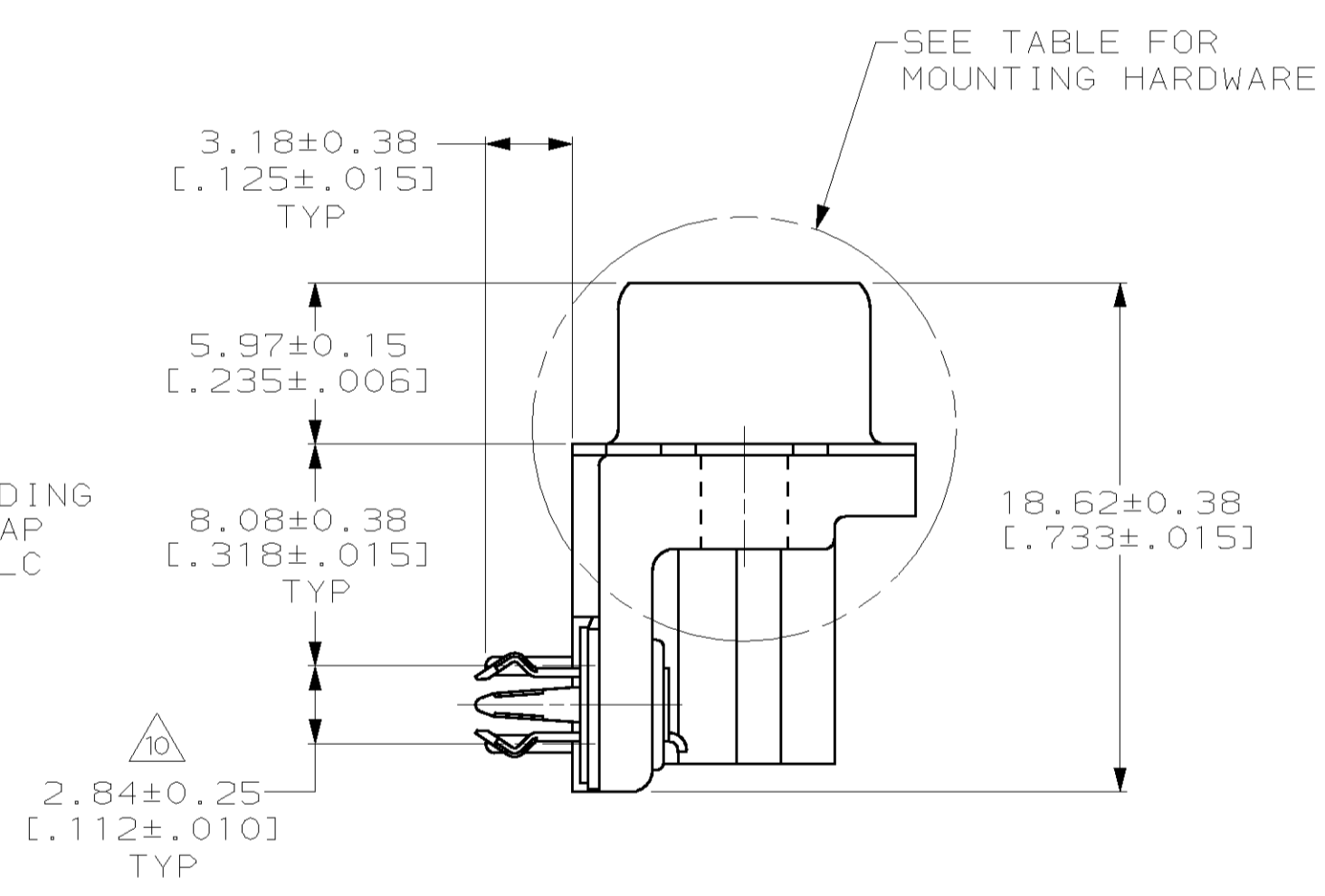
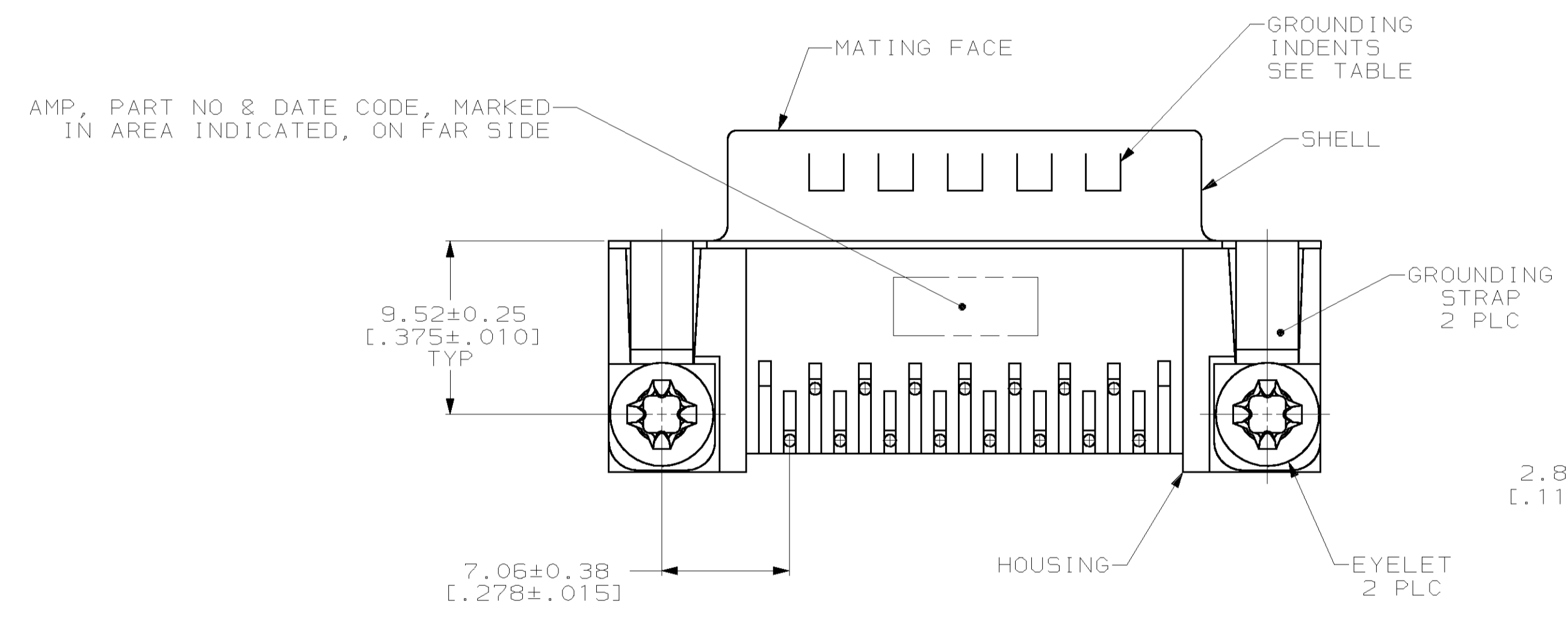
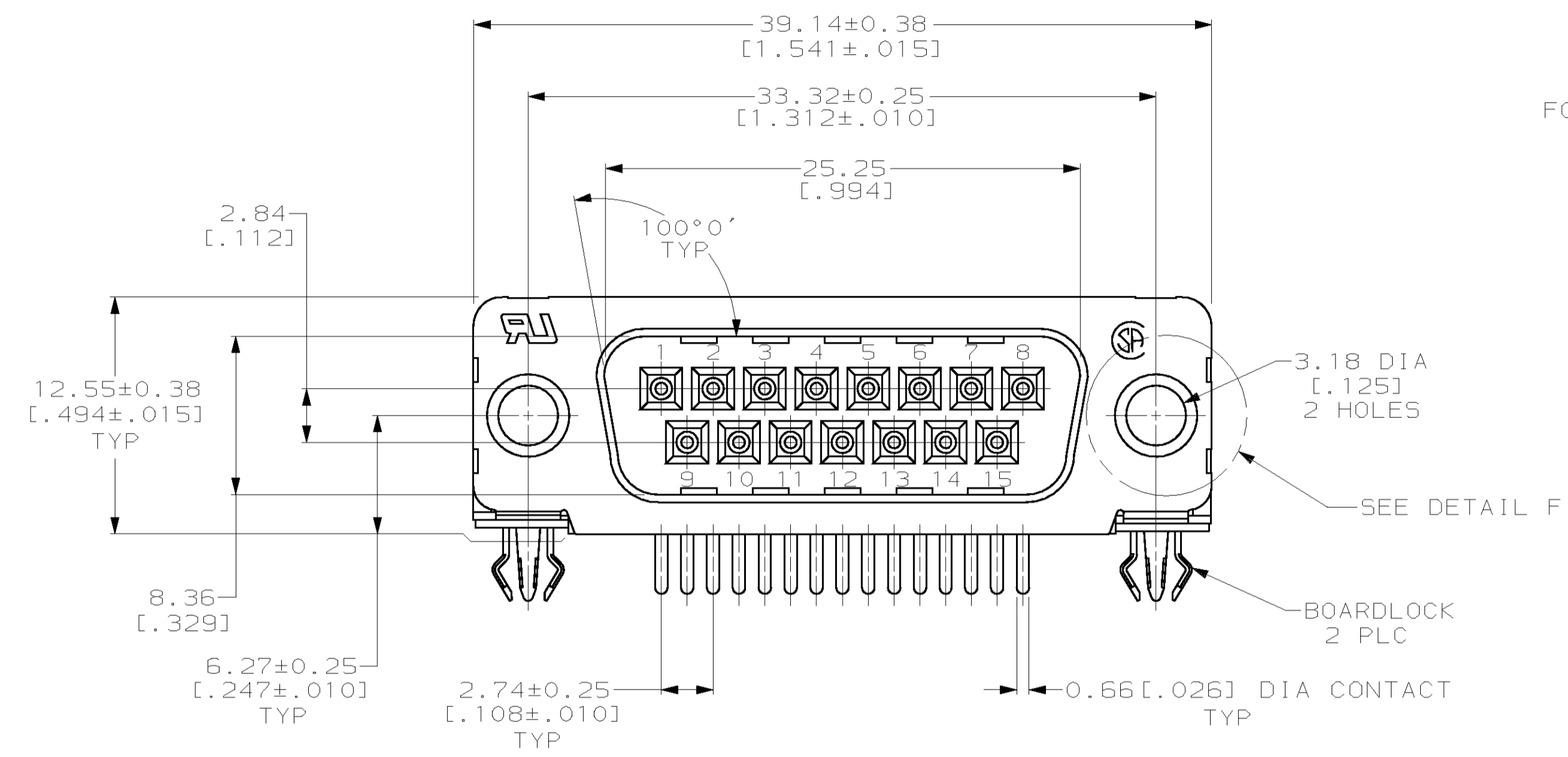
LOC	DIST	REV	DESCRIPTION	DATE	BY	APPV
BD	77	N	REVISED PER EC 0640-0283-99	22DEC99	DD	KB
		P	OBSOLETE -7 AND REV PER EC 001D-0103-00	03 APR 00	DB	JK

- 1 NYLON OR POLYESTER, FLAME RETARDANT, UL 94V-0 RATED, GLASS FILLED, BLACK.
- 2 BRASS PER MIL-C-50.
- 3 CARBON STEEL PER ASTM A109.
- 4 EYELETS: BRASS; BOARDLOCKS: COPPER ALLOY.
- 5 GOLD PLATING PER MIL-G-45204; NICKEL PLATING PER QQ-N-290; TIN PLATING PER MIL-T-10727; COPPER PLATING PER MIL-C-14550.
- 6 2.54µm [0.000100] MIN TIN OVER 1.27µm [0.00050] MIN COPPER.
- 7 EYELETS: 5.08µm [0.000200] MIN TIN OVER COPPER FLASH. BOARDLOCKS: 5.08µm [0.000200] MIN TIN-LEAD OVER 1.27µm [0.00050] MIN NICKEL.
- 8 GOLD PLATED FOR A LENGTH OF 3.81 [0.150] MIN FROM MATING END, GOLD FLASH IN MATED AREA. 2.54µm [0.000100] MIN TIN OR TIN-LEAD FOR A LENGTH OF 3.56 [0.140] MIN FROM OPPOSITE END, BOTH OVER 1.27µm [0.00050] MIN NICKEL.
- 9 GOLD PLATED FOR A LENGTH OF 3.81 [0.150] MIN FROM MATING END, 0.76µm [0.00030] MIN GOLD IN MATED AREA, 2.54µm [0.000100] MIN TIN OR TIN-LEAD FOR A LENGTH OF 3.56 [0.140] MIN FROM OPPOSITE END, BOTH OVER 1.27µm [0.00050] MIN NICKEL.
- 10 DIMENSION APPLIES FROM CENTER OF CONTACTS.
- 11 SUPERSEDED BY 747841-2.
- 12 SUPERSEDED BY 747841-6.
- 13 OBSOLETE.

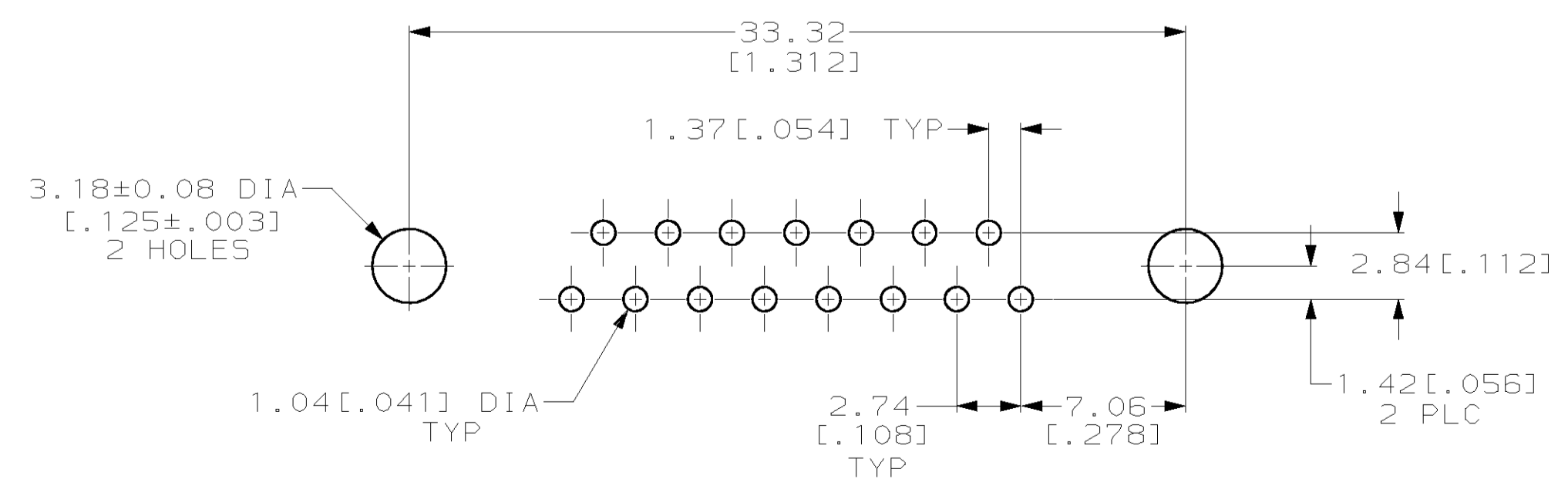


FOR -5 AND -6 ONLY

DETAIL F
2 PLC



DETAIL D DETAIL E



P.C. BOARD MOUNTING DIMENSIONS
P.C. BOARD THICKNESS: 1.57 [0.062]

NO			
YES	-	9	747841-7
YES	SEE DETAIL E	9	747841-6
YES	SEE DETAIL E	8	747841-5
YES	SEE DETAIL D	9	747841-4
YES	SEE DETAIL D	8	747841-3
YES	-	9	747841-2
YES	-	8	747841-1

GROUNDING INDENTS	MOUNTING HARDWARE	CONTACT FINISH	PART NUMBER
THIS DRAWING IS A CONTROLLED DOCUMENT.			
DIMENSIONS: mm [INCHES] TOLERANCES UNLESS OTHERWISE SPECIFIED: 0 PLC ± 1 PLC ± 2 PLC ± 3 PLC ±0.13 [0.005] 4 PLC ± ANGLES ±2°		FINISH: CONTACTS, SEE TABLE SHELL: HARDWARE, SEE TABLE INSERTS: CLEAR CHROMATE SCREWLOCKS: CLEAR CHROMATE	
MATERIAL: HOUSING, 1 SHELL, 2 HARDWARE, 3		NAME: W.G. LENKER 05 OCT 89 R. STONE 05 FEB 90 M.D. GALLOWAY 06 FEB 90 PRODUCT SPEC: 108-40025 APPLICATION SPEC: 114-40010 SIZE: 114-40010 WEIGHT: - CUSTOMER DRAWING	
AMP Incorporated Harrisburg, PA 17105-3608		AMP PLUG ASSEMBLY, SIZE 2, 15 POSITION, RIGHT ANGLE, FRONT METAL SHELL, .318 SERIES, BOARDLOCKS, AMPLIMITE® HD-20	
SCALE: 4:1		SHEET: 1 OF 1 REV: P	