

ALN 081306



Sample image

Order symbol : ALN 081306

Product nr : 7811150

UL Code : 7811152

UL Name : ALN UL 081306

Description : Enclosure, aluminium

Remarks : Aluminium

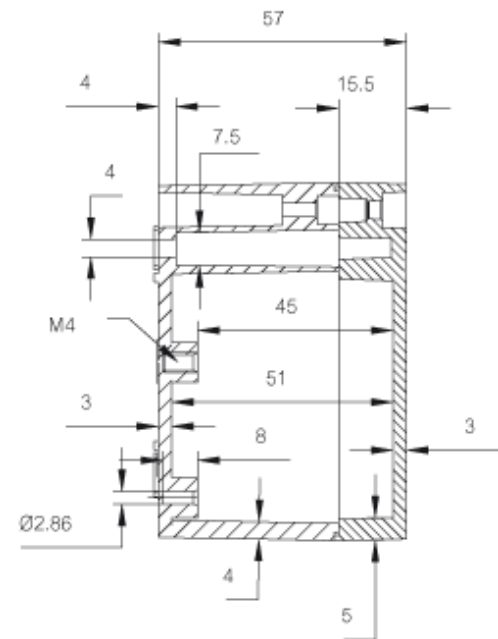
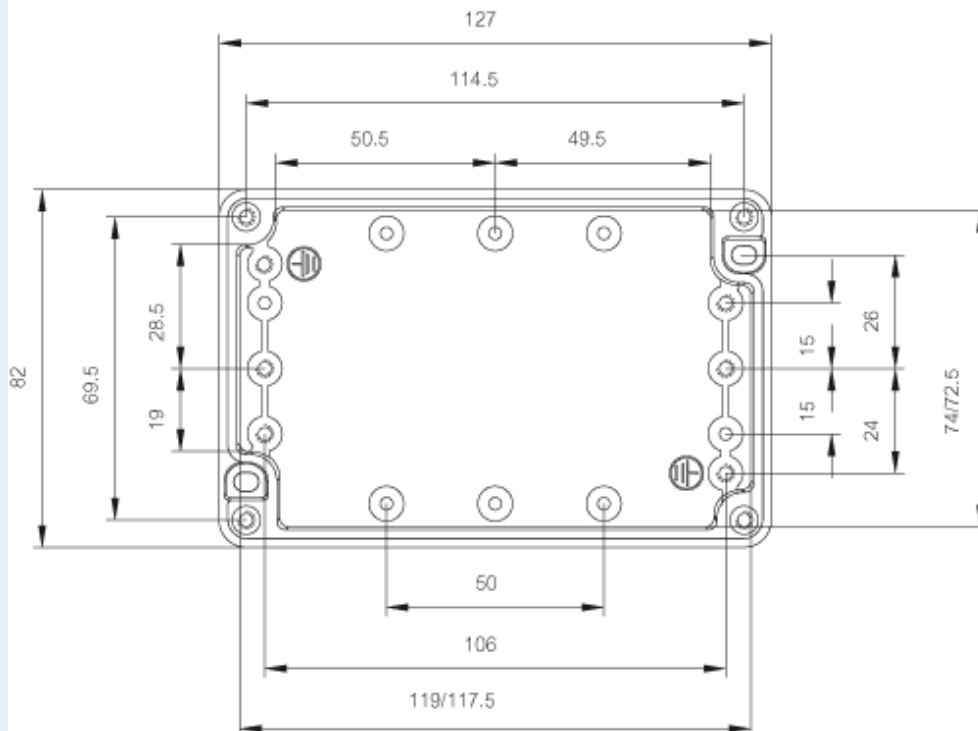
Including : Base with screws for mounting plate/DIN-rail. cover with PUR gasket and stainless steel cover screws.

EAN : 6418074016072

El. number :

- Finland : 3420045
- Denmark : 8212045651
- Sweden : 2500908

127 x 81 x 51



Dimensions :	Height	Width	Depth
mm :	81	127	57

Accessories :

ARM 0813 DIN-15 Mounting rail, for enclosures:

inch : 3.19 5 2.24

Materials :

Material : Aluminum
Base colour : RAL 7001
Cover colour : RAL 7001
Gasket material : Polyurethane

Temperatures :

Temperature °C (short term) : -50 ... 120
Temperature °C (continuous) : -50 ... 80
Temperature °F (short term) : -60 ... 285
Temperature °F (continuous) : -60 ... 175

(115 x 35 x 1)

MR 75003 Selftapping taptite screw M3, for enclosures:
AM 0813 Mounting plate, for enclosures:
(69 x 114 x 1)
MRS 28540 Wall fastening lug (2 pcs), for enclosures:
(11 x 42 x 1)

Rating :

Ingress protection (EN 60529): IP66; IP67; IP68;
Impact Resistance (EN 62262): IK08;
Electrical insulation : Not insulated
Halogen free (DIN/VDE 0472, Part 815): 1
UV resistance : -
Flammability Rating :
Glow Wire Test (IEC 695-2-1) °C : C
NEMA Class

Certificates :

SGSFIMKO_ALU