

# PC B 85 T



Sample image

**Order symbol :** PC B 85 T

**Product nr :** 8724004

UL Code : 8714004

UL Name : UL PC B 85 T

**Description :** Enclosure, PC

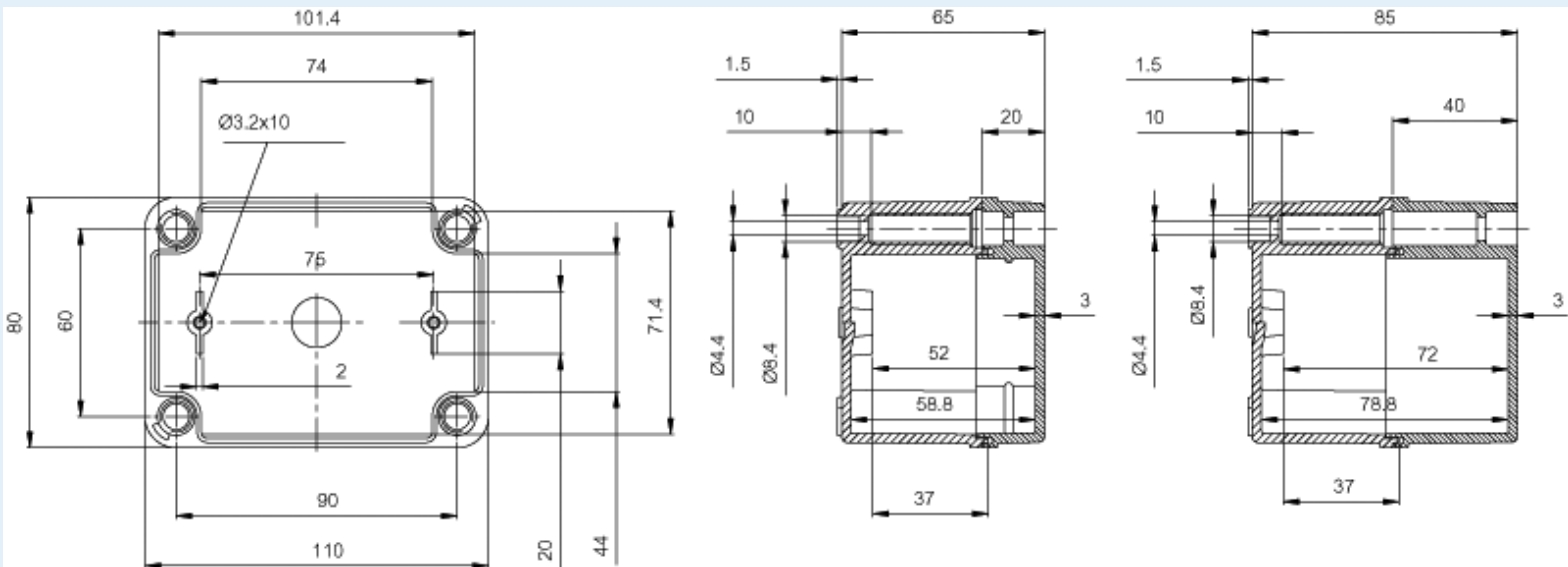
**Remarks :** Transparent cover

**Including :** Base with screws for mounting plate/DIN-rail. cover with PUR gasket and polyamide cover screws.

**EAN :** 6418074001962

**El. number :**

- Finland : 3423503
- Denmark : 8212001501
- Sweden : 2536835



Dimensions :	Height	Width	Depth
mm :	110	80	85
inch :	4.33	3.15	3.35

## Materials :

Material :	Polycarbonate
Base colour :	RAL 7035 -light grey
Cover colour :	
Gasket material :	Polyurethane

## Accessories :

B-MP	Mounting plate, for enclosures: (80 x 54 x 1)
FP 22040	Wall fastening lug (2 pcs), for enclosures:
B-3	DIN-35 Mounting rail, for enclosures: (80 x 35 x 1)

## Rating :

Ingress protection (EN 60529):	IP66; IP67;
--------------------------------	-------------

**Temperatures :**

Temperature °C (short term) :	-40 ... 120
Temperature °C (continuous) :	
Temperature °F (short term) :	-40 ... 250
Temperature °F (continuous) :	-40 ... 175

Impact Resistance (EN 62262):	IK08;
Electrical insulation :	Totally insulated
Halogen free (DIN/VDE 0472, Part 815):	1
UV resistance :	UL 508
Flammability Rating :	UL 746C 5"
Glow Wire Test (IEC 695-2-1) °C :	960 °C
NEMA Class	

**Certificates :**

SGSFIMKO\_PICC\_pc