

# ALN 161609



Sample image

**Order symbol :** ALN 161609

**Product nr :** 7811270

UL Code : 7811272

UL Name : ALN UL 161609

**Description :** Enclosure, aluminium

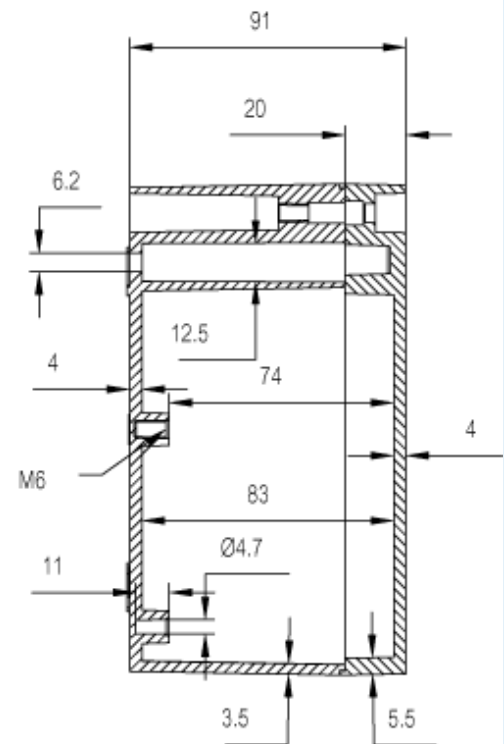
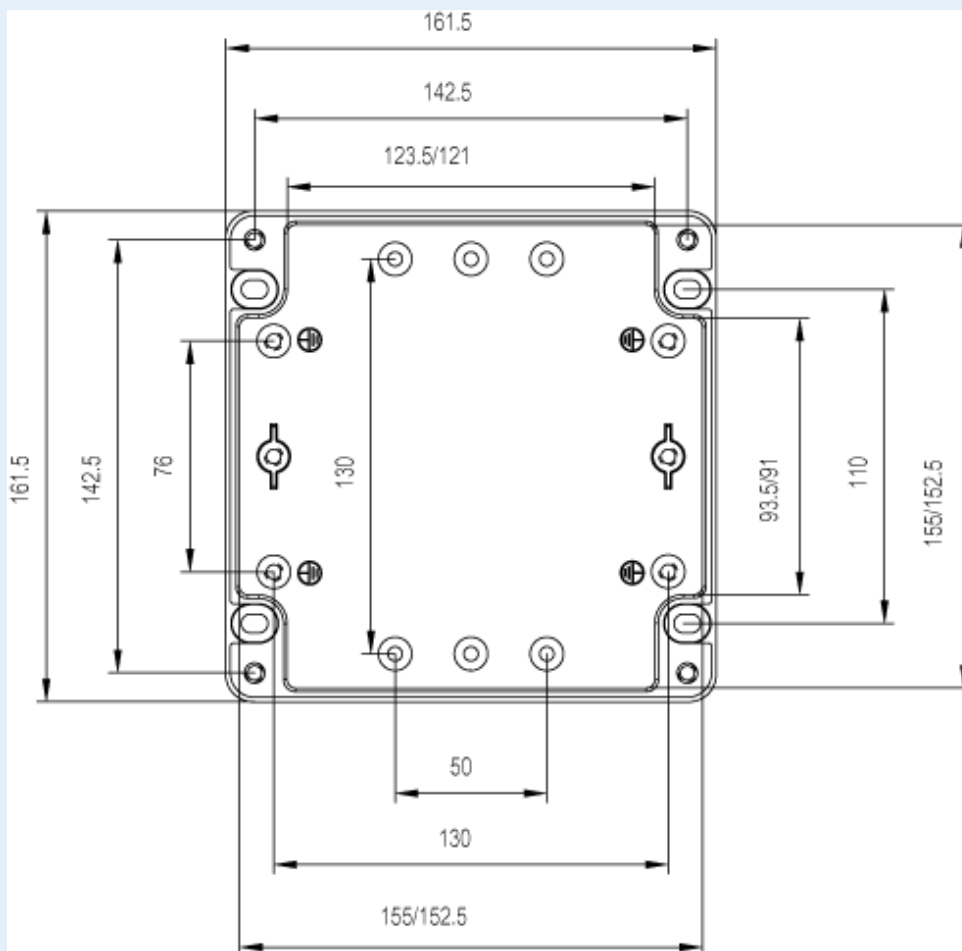
**Remarks :** Aluminium

**Including :** Base with screws for mounting plate/DIN-rail. cover with PUR gasket and stainless steel cover screws.

**EAN :** 6418074016126

**El. number :**

- Finland : 3420051
- Denmark : 8212045716
- Sweden : 2500916



**Dimensions :**

mm :

**Height**

162

**Width**

163

**Depth**

91

**Accessories :**

ARH 16

DIN-35 Mounting rail, for enclosures:

inch : 6.38 6.42 3.58

**Materials :**

Material : Aluminum  
Base colour : RAL 7001  
Cover colour : RAL 7001  
Gasket material : Polyurethane

**Temperatures :**

Temperature °C (short term) : -50 ... 120  
Temperature °C (continuous) : -50 ... 80  
Temperature °F (short term) : -60 ... 285  
Temperature °F (continuous) : -60 ... 175

(140 x 35 x 1)

ARM 0615 DIN-15 Mounting rail, for enclosures:  
(140 x 15 x 1)  
AM 1616 Mounting plate, for enclosures:  
(146 x 146 x 1)  
MR 75005 Selftapping taptite screw M5, for enclosures:  
MRS 28541 Wall fastening lug (2 pcs), for enclosures:  
(15 x 50 x 1)

**Rating :**

Ingress protection (EN 60529): IP66; IP67;  
Impact Resistance (EN 62262): IK08;  
Electrical insulation : Not insulated  
Halogen free (DIN/VDE 0472, Part 815): 1  
UV resistance : -  
Flammability Rating :  
Glow Wire Test (IEC 695-2-1) °C : C  
NEMA Class

**Certificates :**

SGSFIMKO\_ALU