

CAB PC 504020 T3B



Sample image

Order symbol : CAB PC 504020 T3B

Product nr : 8113062

UL Code : 8143062

UL Name : UL CAB PC 504020 T3B

Description : Cabinet, PC, Smoked transparent door

Remarks : Locks on the long side

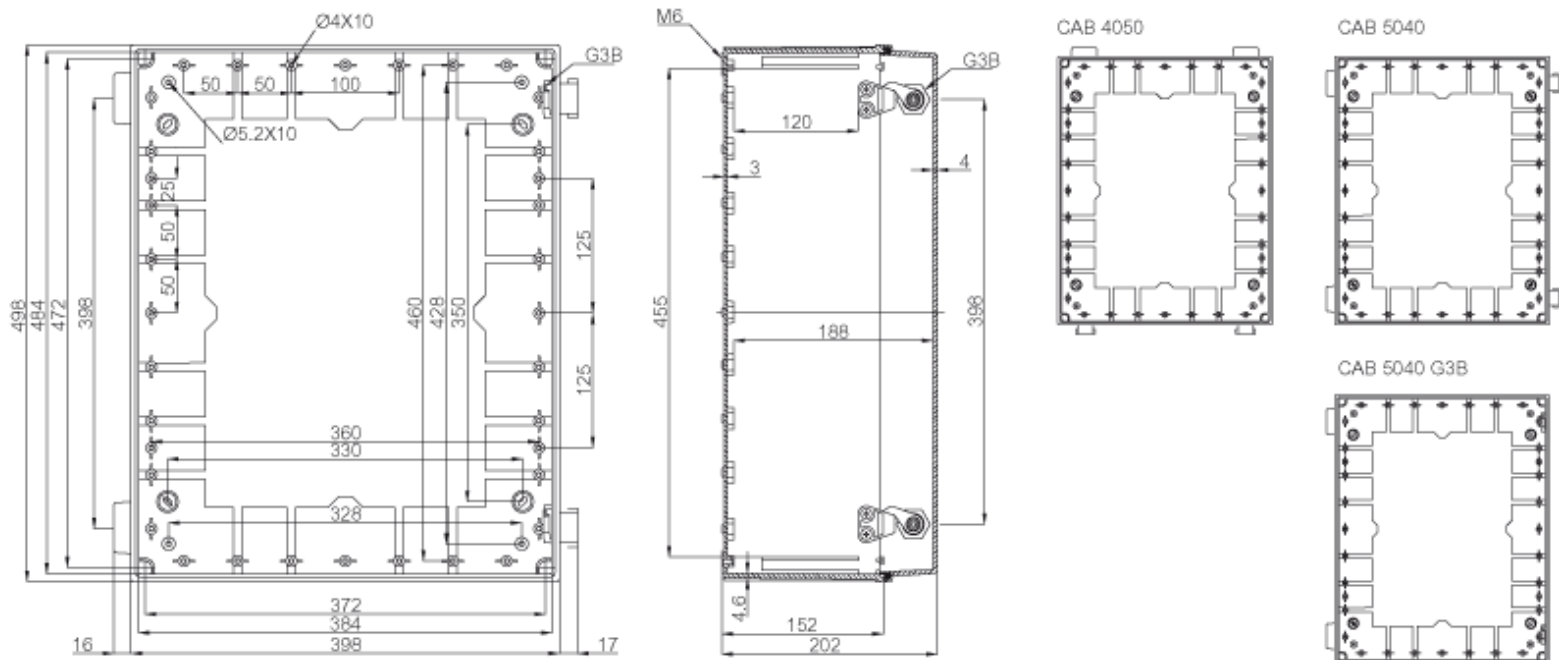
EAN : 6418074020376

El. number :

- Finland : 3424174
- Denmark : 8212019276
- Sweden : 2539955

Including : Cabinet base, door with PUR gasket, 3mm double bit lock(s) with key, screws for mounting plate/DIN-rail and corner plugs.

CAB 500x400x200



Dimensions :	Height	Width	Depth
mm :	500	400	200
inch :	19.69	15.75	7.87

Rating :	
Ingress protection (EN 60529):	IP65;
Impact Resistance (EN 62262):	IK08;
Electrical insulation :	Totally insulated

Materials :

Material : Polycarbonate
Base colour : RAL 7035 -light grey
Cover colour : Clear transparent
Gasket material : Polyurethane

Halogen free (DIN/VDE 0472, Part 815): 1
UV resistance : UL 508
Flammability Rating : UL 746C 5"
Glow Wire Test (IEC 695-2-1) °C : 960 °C
NEMA Class

Temperatures :

Temperature °C (short term) : -40 ... 120
Temperature °C (continuous) : -40 ... 80
Temperature °F (short term) : -40 ... 250
Temperature °F (continuous) : -40 ... 175

Certificates :

Certificate FI 40854