

PC 5628 13 T-3FSH

FIBOX
Enclosing innovations



Sample image

Order symbol : PC 5628 13 T-3FSH

Product nr : 2539555

Description : Enclosure, PC

Remarks : Transparent hinged cover

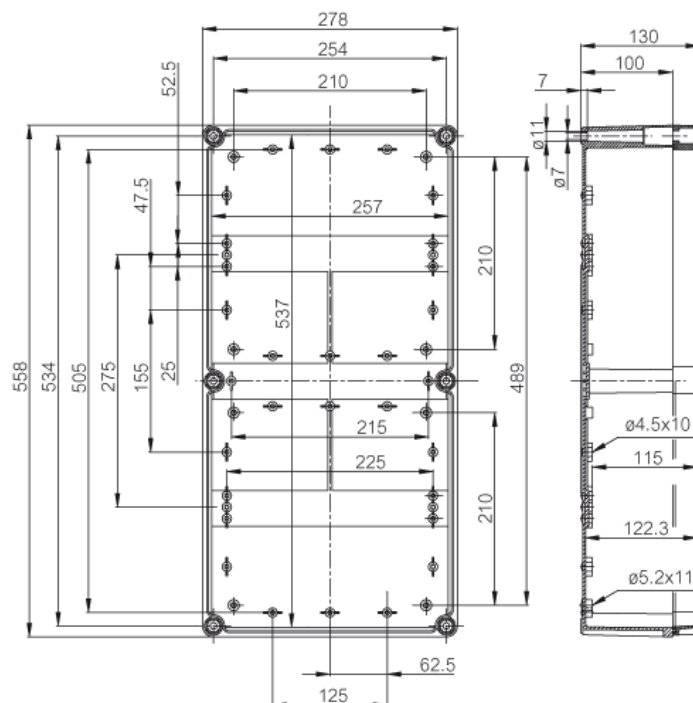
EAN : 6418074052872

El. number :

- Finland : 3435756
- Denmark :
- Sweden : 2539555

Including : Base with screws for mounting plate. cover with PUR gasket and polyamide cover screws.

SOLID 558x278x130



Dimensions :

	Height	Width	Depth
mm :	560	280	130
inch :			

Materials :

Material :	Polycarbonate
Base colour :	RAL 7035 -light grey
Cover colour :	Clear transparent
Gasket material :	Polyurethane

Temperatures :

Temperature °C (short term) :	-40 ... 120
Temperature °C (continuous) :	-40 ... 80
Temperature °F (short term) :	-40 ... 250
Temperature °F (continuous) :	-40 ... 175

Accessories :

EKTZR	Extension frame, for enclosures: (560 x 280 x 50)
EKTVT	Mounting plate, for enclosures: (518 x 238 x 1)
EKV 22	DIN-35 Mounting rail, for enclosures: (235 x 35 x 1)
EKV 50	DIN-35 Mounting rail, for enclosures: (515 x 35 x 1)

Rating :

Ingress protection (EN 60529):	IP65;
Impact Resistance (EN 62262):	IK08;
Electrical insulation :	Totally insulated
Halogen free (DIN/VDE 0472, Part 815):	1
UV resistance :	UL 508
Flammability Rating :	UL 746C 5"
Glow Wire Test (IEC 695-2-1) °C :	960 °C
NEMA Class	

Certificates :

Certificate NCS FI 30308