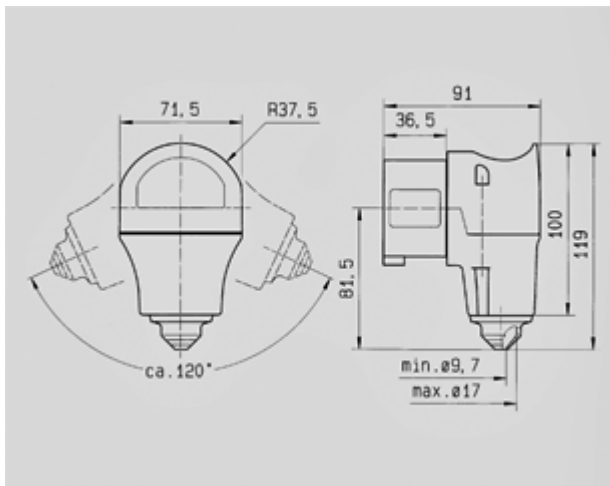


Angled plug VarioTOP - Part no. 3982

- screw terminals
- cable entry hood rotating up to 60° to the left or the right
- with grommet
- cable entry hood in electric grey
- especially suited for use with receptacles of the Cepex range

Protection type	IP 44
Ampere	16 A
Poles	5p
Voltage	400
Hertz	50-60Hz
Earth position	6h
Contact	nickel plated contacts
Connection technology	Screw terminals

Std. Pack. 10 Qty.



Drawing
2 MB 208

Dim. in mm