

TPC 090706



Sample image

Order symbol : TPC 090706

Product nr : 5824038

Description : Enclosure, PC

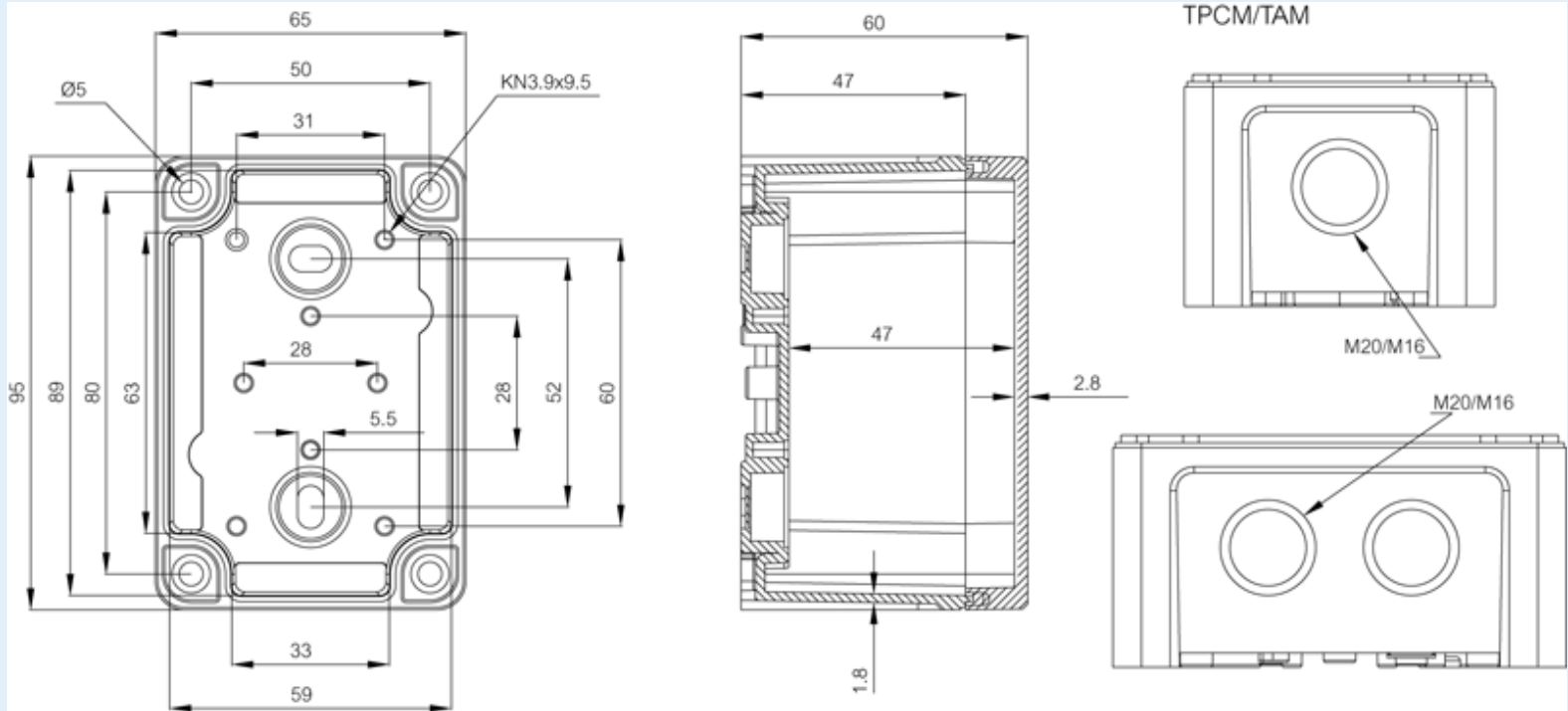
Remarks : Grey cover

EAN : 6418074309556

Including :

El. number :

- Finland :
- Denmark :
- Sweden :



Dimensions :	Height	Width	Depth
mm :	95	65	60
inch :	3.74	2.56	2.36

Accessories :

FP 10674 Wall fastening lug (2 pcs) incl. screws

Materials :

Material : Polycarbonate
Base colour :
Cover colour :
Gasket material :

Rating :

Ingress protection (EN 60529): IP65;
Impact Resistance (EN 62262): IK07; IK08;
Electrical insulation : Totally insulated
Halogen free (DIN/VDE 0472, Part 815): 1
UV resistance : -

Temperatures :

Temperature °C (short term) : -40 ... 120

Temperature °C (continuous) :

Temperature °F (short term) : -40 ... 250

Temperature °F (continuous) : -40 ... 175

Flammability Rating :

UL 746C 5"

Glow Wire Test (IEC 695-2-1) °C :

960 °C

NEMA Class

Certificates :

Certificate FI 40343