

Item No: 03656

SIP 8 Ton Bottle Jack

60mm screw
extension

Serrated saddle for
secure load contact

205-400mm
lifting range

Integrated
safety valve

Compact and
lightweight - 5.4kg



Heavy-duty
cast iron base

SIP 8 Ton Bottle Jack

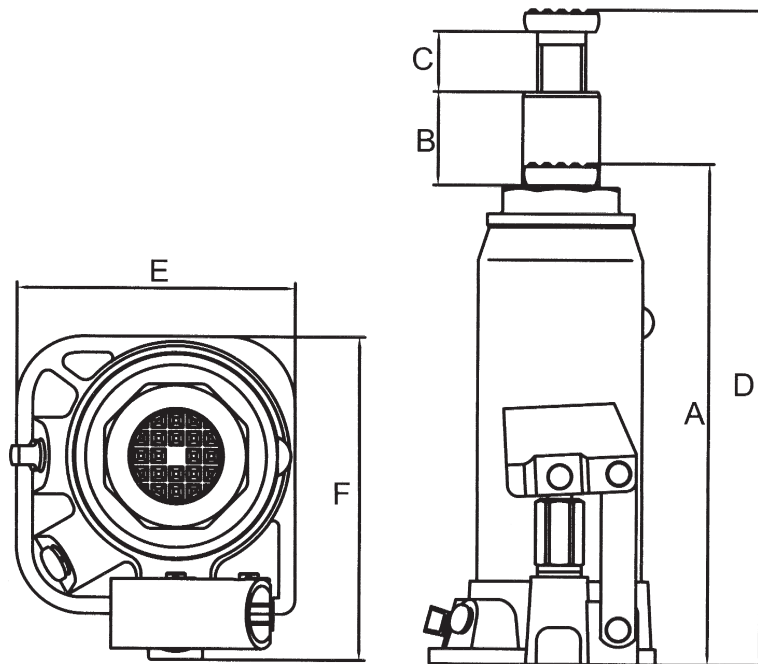
Features & Benefits

60mm screw extension

Serrated saddle - for secure load contact

Heavy-duty cast iron base

Integrated safety valve



Item No:	03656
Lifting Capacity	8 Ton
A	205mm
B	136mm
C	60mm
D	400mm
E	115mm
F	120mm
Weight	5.4kg

Contents

8 Ton Bottle Jack

Instruction manual