

ACT20P-CI2-CO-OLP-S

Weidmüller Interfaces GmbH & Co. KG

Postfach 3030

32760 Detmold

Tel. +49 5231 14-0

Fax. +49 5231 14-2083

info@weidmueller.com

www.weidmueller.com

Similar to illustration



ACT20P: The flexible solution

- Precise and highly functional signal converters
- Release levers simplify handling

General ordering data

Version	Signal converter/isolator, Output current loop powered, Input : 4-20 mA, Output : 4-20 mA, (loop powered)
Order No.	7760054119
Type	ACT20P-CI2-CO-OLP-S
GTIN (EAN)	6944 169656590
Qty.	1 pc(s).

ACT20P-CI2-CO-OLP-S

Weidmüller Interfaces GmbH & Co. KG

Postfach 3030

32760 Detmold

Tel. +49 5231 14-0

Fax. +49 5231 14-2083

info@weidmueller.com

www.weidmueller.com

Technical data

Dimensions and weights

Depth	114 mm	Depth (inches)	4.488 inch
Height	117.2 mm	Height (inches)	4.614 inch
Width	12.5 mm	Width (inches)	0.492 inch
Net weight	100 g		

Temperatures

Storage temperature	-40 °C...85 °C	Operating temperature	-20 °C...60 °C
Humidity	5...95 %, no condensation		

Environmental Product Compliance

REACH SVHC	Lead 7439-92-1	SCIP	2f6dd957-421a-46db-a0c2-cf1609156924
------------	----------------	------	--------------------------------------

Input

Input current	4...20mA	Number of inputs	1
Sensor	Current source	Voltage drop, current input	< 3 V

Output

Load impedance current	≤ 600 Ω	Number of outputs	1
Output current	4...20 mA, loop-powered	Type	passive, connected control must be active

General data

Accuracy	< 0.1 % of end value	Configuration	none
Galvanic isolation	2-way isolator	Rail	TS 35
Step response time	≤ 2 ms	Temperature coefficient	≤ 100 ppm/K
Type of connection	Screw connection	Voltage supply	via output current loop, min. 12 V DC/ max. 30 V DC

Insulation coordination

EMC standards	EN 61010-1:2011, UL 61010-1, IEC61000-6-2, IEC 61000-6-4	Galvanic isolation	2-way isolator
Impulse withstand voltage	4 kV (1.2/50 μs)	Insulation voltage	2 kV inputs / outputs
Pollution severity	2	Rated voltage	300 V
Surge voltage category	III		

Data for Ex applications (ATEX)

Marking	II 3 G Ex ec IIC T6 Gc
---------	------------------------

Connection data

Type of connection	Screw connection	Tightening torque, min.	0.4 Nm
Tightening torque, max.	0.6 Nm	Clamping range, rated connection	2.5 mm ²
Clamping range, min.	0.5 mm ²	Clamping range, max.	2.5 mm ²
Wire connection cross section AWG, min.	AWG 26	Wire connection cross section AWG, max.	AWG 12

Creation date September 18, 2022 2:07:01 AM CEST

ACT20P-CI2-CO-OLP-S

Weidmüller Interfaces GmbH & Co. KG

Postfach 3030

32760 Detmold

Tel. +49 5231 14-0

Fax. +49 5231 14-2083

info@weidmueller.com

www.weidmueller.com

Technical data**Classifications**

ETIM 6.0	EC002475	ETIM 7.0	EC002475
ETIM 8.0	EC002475	ECLASS 9.0	27-21-01-23
ECLASS 9.1	27-21-01-23	ECLASS 10.0	27-21-01-23
ECLASS 11.0	27-21-01-23	ECLASS 12.0	27-21-01-23

Important note

Product information

The ACT20P-CIX-CO-OLP-S single-channel fixed passive isolator isolates analogue standard current source signals. An analogue input current signal is converted linear and galvanic isolated into an analogue output current signal. The device is powered via the output current loop.

Features

- 2-way galvanic isolation between input and output.

Approvals

Approvals



ROHS	Conform
UL File Number Search	UL Website
Certificate No. (cURusEX)	E338066
Certificate no. (cULus)	E469563

Downloads

Approval/Certificate/Document of Conformity	ATEX Certification IECEX Certification UL Certification (hazardous location) UL Certification (US-CAN) Declaration of Conformity
Engineering Data	CAD data – STEP
Engineering Data	EPLAN
User Documentation	Instruction sheet
Catalogues	Catalogues in PDF-format

ACT20P-CI2-CO-OLP-S

Weidmüller Interfaces GmbH & Co. KG

Postfach 3030

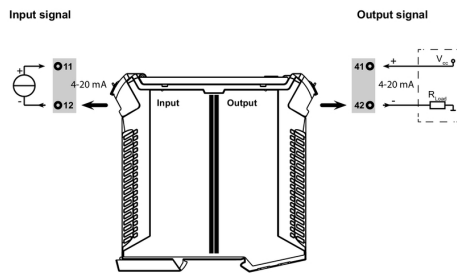
32760 Detmold

Tel. +49 5231 14-0

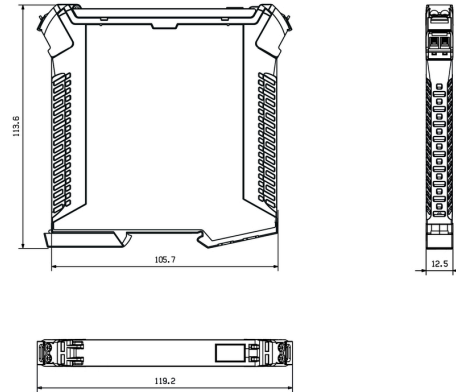
Fax. +49 5231 14-2083

Drawings

Connection diagram



Dimensioned drawing info@weidmueller.com



Mouser Electronics

Authorized Distributor

Click to View Pricing, Inventory, Delivery & Lifecycle Information:

[Weidmuller:](#)

[7760054119](#)