

4

3

2

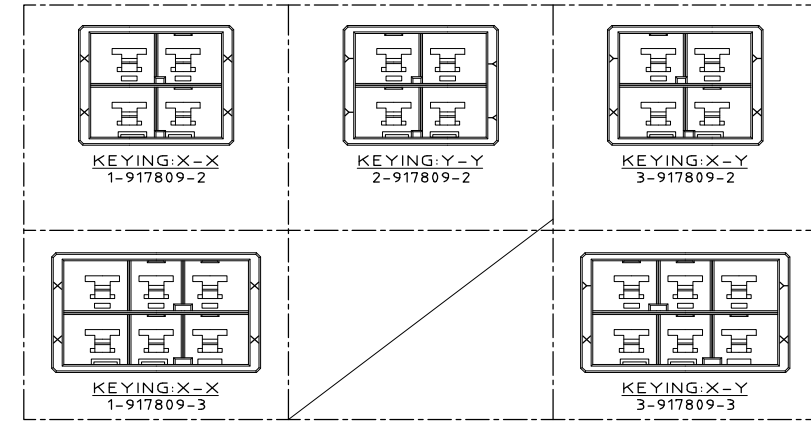
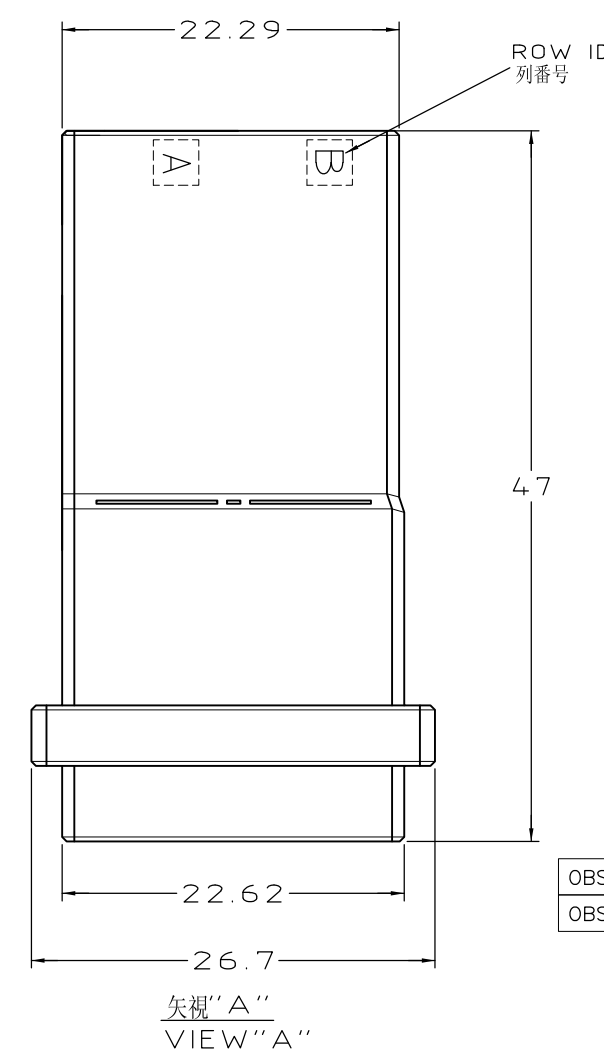
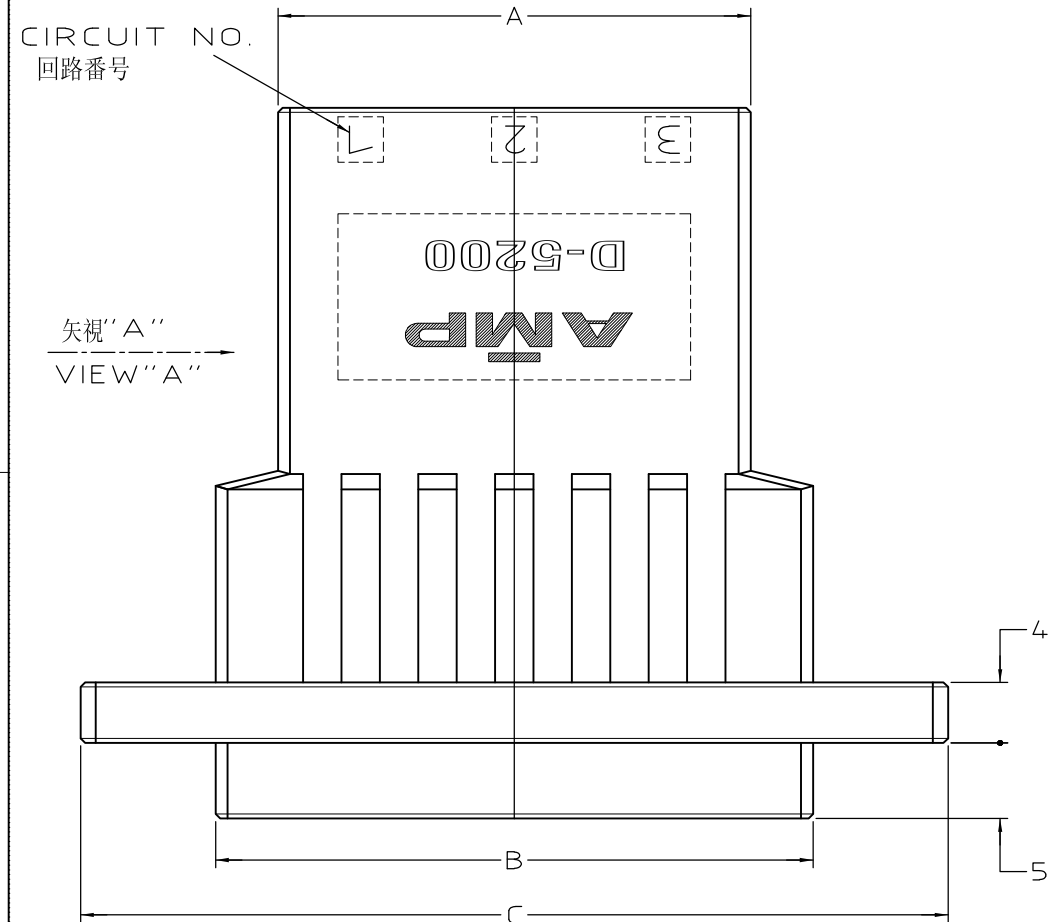
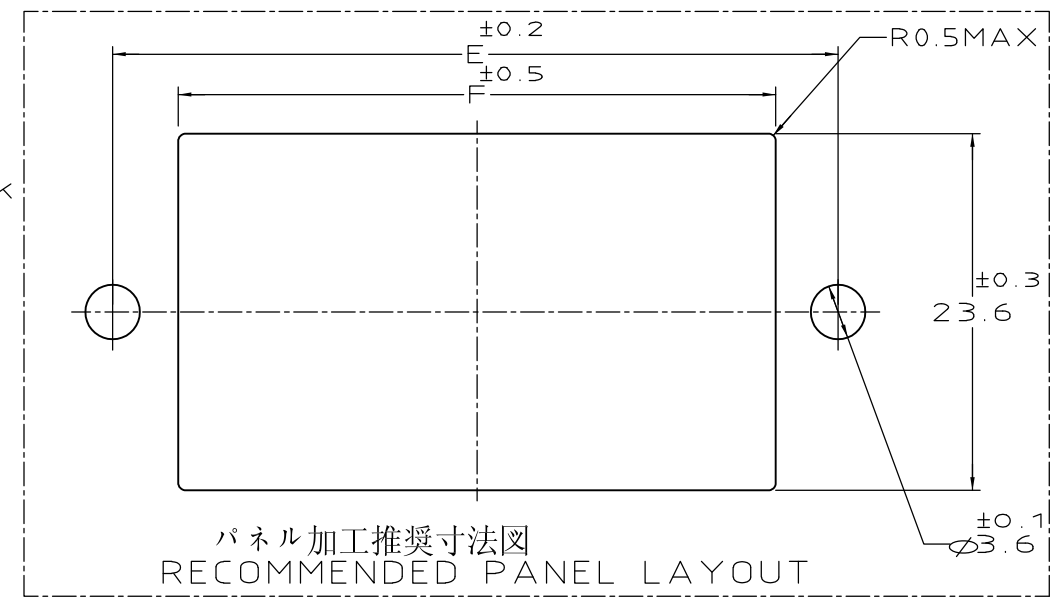
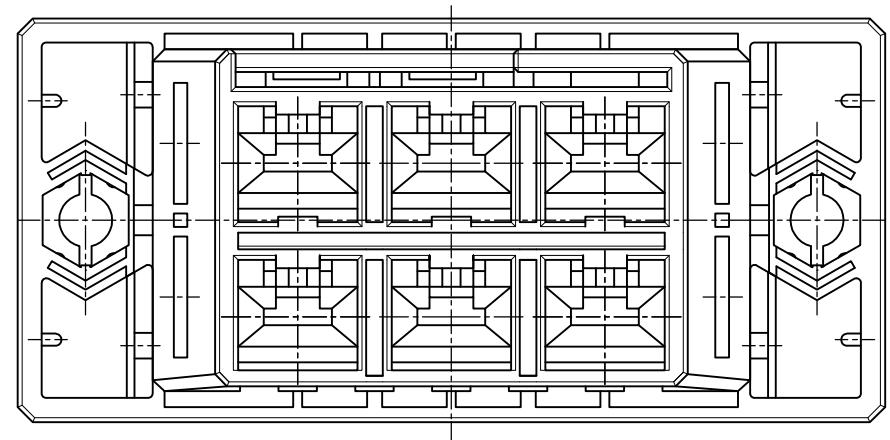
1

THIS DRAWING IS UNPUBLISHED. RELEASED FOR PUBLICATION .19
 © COPYRIGHT 19 ALL RIGHTS RESERVED.

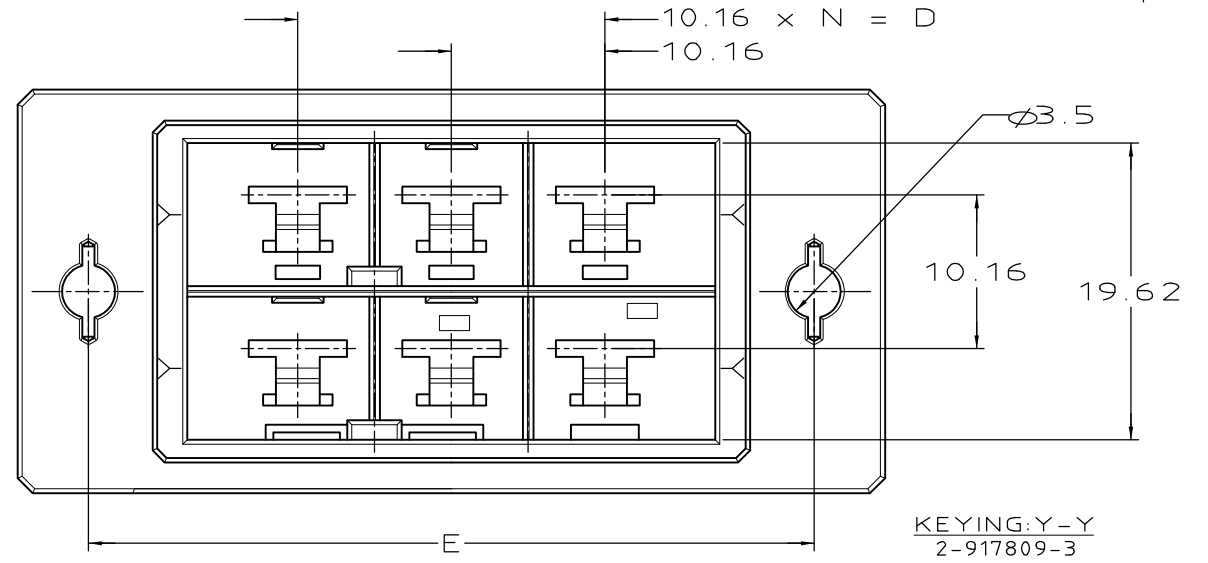
LOC		DIST		REVISIONS			DATE	DWN	APVD
P	LTR	DESCRIPTION			変更				
	B2	REVISED PER ECO-11-005030				11MAR11	RK	HMR	

注記
 ① 材料:ハウジング:ガラス入り熱可塑性ポリエステル樹脂(94V-0),色:黒
 ② ハウジング全面にテフロン塗装のこと
 ③ パネル取付推奨ネジ M3

NOTES
 ① MATERIAL:HOUSING:GLASS FILED THERMO PLASTIC ,POLYESTER(94V-0),COLOR:BLACK
 ② TO COAT ALL SURFACE OF HOUSING WITH TEFLON
 ③ PANEL ATTACHMENT RECOMMENDATION M3 SCREW



										3-917809-3
										2-917809-3
		31.27	39.52	57	20.32	48	40.5	2	6	1-917809-3
OBSOLETE	②									6-917809-2
OBSOLETE	②									5-917809-2
										3-917809-2
										2-917809-2
		21.11	29.36	47	10.16	38	30.4	1	4	1-917809-2
FINISH		A	B	C	D	E	F	N	POS	P/N



DOWNSIDE: 単位 耗 mm		TOLERANCES UNLESS OTHERWISE SPECIFIED 一般公差 10: ±0.2 30: >10 : ±0.25 100: >30 : ±0.3 ANGLE: ±0.3°		DWN 31/OCT/'95 K.IKEDA CHK 31/OCT/'95 Y.ISHIKAWA APVD 1/NOV/'95 S.MANABE		INSULATION DIA 被覆外径		TE Connectivity 2列 タブ ハウジング パネルマウント タイプ DOUBLE ROW TAB HSG (PANEL MOUNT) <DYNAMIC D-5200 M>	
MATERIAL 材料		FINISH 仕上		PRODUCT SPEC 製品規格 108-5453 APPLICATION SPEC 取付適用規格 114-5206 WEIGHT T1		WIRE RANGE 抱合電線断面積			
CUSTOMER DRAWING				SIZE A3		CAGE CODE 00779		SCALE 尺度 2-1	
						SHEET 1 OF 1		REV B2	